



**THE DATASHEET OF
CP4319-000**



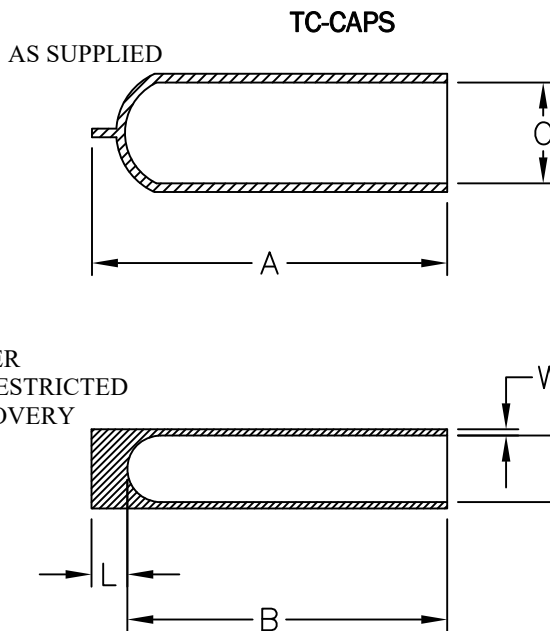



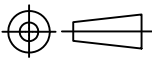
Table 1: Dimensions Millimeters (*Inches*)

| Size | (A) | (B) Minimum | (L) Nominal | (C) Minimum | (D) Maximum | (W) |
|---------|--------------------------|----------------|----------------|----------------|----------------|--------------------------|
| TC 4001 | 19.1(0.750) ± 1.6(0.063) | 10.2(0.400) | 3.8(0.15) | 1.6(0.063) | 0.8(0.030) | 0.51(0.020) ± 0.1(0.005) |
| TC 4003 | 25.4(1.000) ± 1.6(0.063) | 14(0.550) | 3.8(0.15) | 3.2(0.125) | 1.3(0.050) | 0.64(0.025) ± 0.1(0.005) |
| TC 4005 | 28.6(1.125) ± 1.6(0.063) | 14(0.550) | 3.8(0.15) | 6.4(0.250) | 2.5(0.100) | 0.69(0.027) ± 0.1(0.005) |

Color: TC4001 White
 TC4003 Red
 TC4005 Gray

Reference Specification TEC-108-120013

THIS DRAWING IS UNPUBLISHED.
 ALL RIGHTS RESERVED.
 © COPYRIGHT 2018 TE Connectivity

| | | | | | | | |
|---|------------|-----------------------|------------------|--|--------------------|-----------------------|--------------------|
| DIMENSIONS: mm | | DWN J. Bitter | 29-NOV-16 | MATERIAL - | | FINISH - | |
| TOLERANCES UNLESS OTHERWISE SPECIFIED: | | CHK - | - |  TE Connectivity 305 Constitution Drive Menlo Park, CA 94025 USA | | | |
| 0 PLC ± - | 1 PLC ± - | APVD - | - | | | | |
| 2 PLC ± - | 3 PLC ± - | PRODUCT SPEC - | - | NAME TC-CAPS | | | |
| 4 PLC ± - | ANGLES ± - | APPLICATION SPEC - | - | SIZE A4 | CAGE CODE 06090 | DRAWING NO TC-CAPS | RESTRICTED TO - |
|  | | WEIGHT 0 | CUSTOMER DRAWING | | SCALE None | SHEET 1 of 1 | REV E |

Looking for pricing, stock, or lifecycle information?

Click below to explore more details on WIN SOURCE:

 [View CP4319-000 on WIN SOURCE](#)

 [TE Connectivity Information](#)

Optimize Your Supply Chain with WIN SOURCE Solutions

-  Global Sourcing Solution
-  Obsolete Management
-  Cost Control Management
-  Shortage Management
-  Alternative Solution
-  Excess Inventory Management