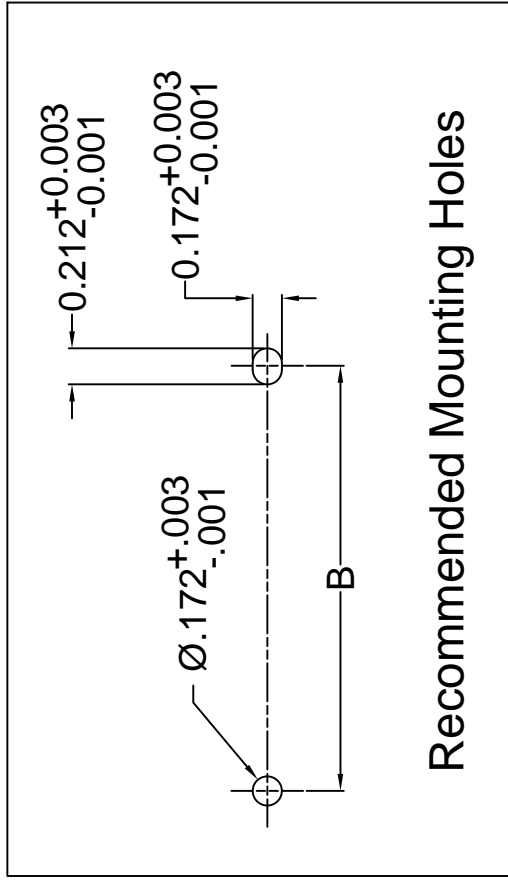
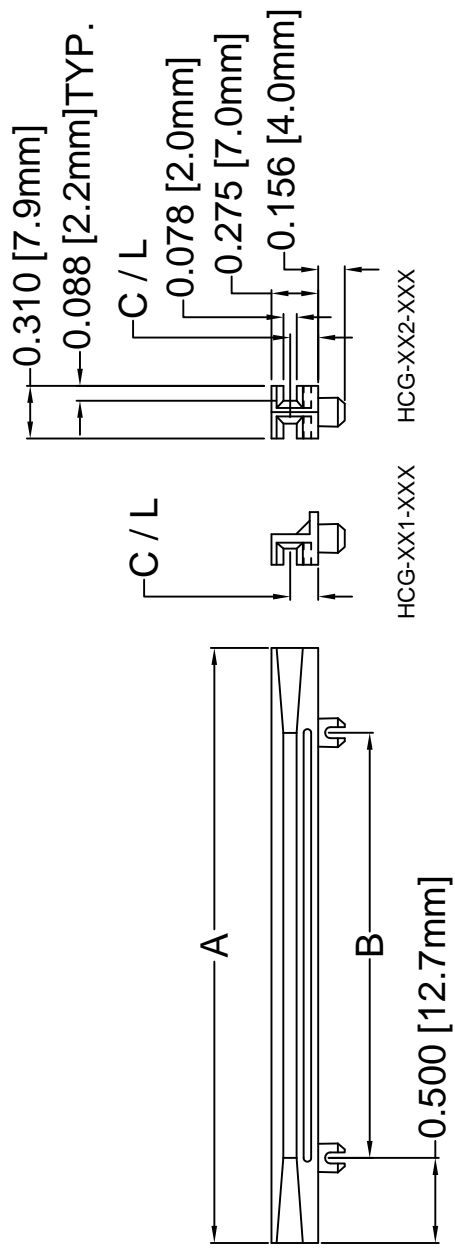




**THE DATASHEET OF
HCG-202-165**



REV.	DESCRIPTION
F	Engineering Update
G	Removed Material C




PART NO.	A
HCG-201-165	±.032 ()
HCG-202-165	2.0 (50.8)
HCG-251-165	2.5 (63.5)
HCG-301-165	3.0 (76.2)
HCG-351-165	3.5 (88.9)
HCG-401-165	4.0 (101.6)
HCG-451-165	4.5 (114.3)
HCG-501-165	5.0 (127.0)
HCG-551-165	5.5 (139.7)
HCG-601-165	6.0 (152.4)

2. MATERIAL: NYLON 66, 94V-0, BLACK.
1. GENERAL SPECIFICATIONS: BIVAR MOLDED COMPONENT SPECIFICATION BV00-E101.

STANDARD TOLERANCES (UNLESS OTHERWISE SPECIFIED)	
DECIMALS	ANGLES
.X ±.1	X°
.XX ±.01	
.XXX ±.005	
DESIGNED BY:	DATE:
S. Irving	10/2
CHECKED BY:	DATE:
D. Green	11/2

Looking for pricing, stock, or lifecycle information?

Click below to explore more details on WIN SOURCE:

 [View HCG-202-165 on WIN SOURCE](#)

 [Bivar Inc. Information](#)

Optimize Your Supply Chain with WIN SOURCE Solutions

-  Global Sourcing Solution
-  Obsolete Management
-  Cost Control Management
-  Shortage Management
-  Alternative Solution
-  Excess Inventory Management