



**THE DATASHEET OF  
CDCL1810ARGZT**



## CDCL1810A 1.8V, 10 Output, High-Performance Clock Distributor

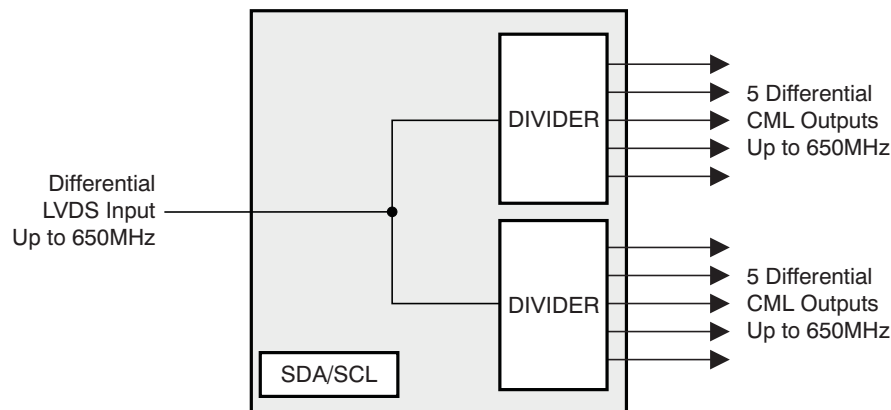
### 1 Features

- Single 1.8 V Supply
- High-Performance Clock Distributor with 10 Outputs
- Low Input-to-Output Additive Jitter: as low as 10fs RMS
- Low-Voltage Differential Signaling (LVDS) Input, 100Ω Differential On-Chip Termination, up to 650 MHz Frequency
- Differential Current Mode Logic (CML) Outputs, 50Ω Single-Ended On-Chip Termination, up to 650 MHz Frequency
- Two Groups of Five Outputs Each with Independent Frequency Division Ratios
- Output Frequency Derived with Divide Ratios of 1, 2, 4, 5, 8, 10, 16, 20, 32, 40, and 80
- Meets ANSI TIA/EIA-644-A-2001 LVDS Standard Requirements
- Power Consumption: 410 mW Typical
- Output Enable Control for Each Output
- SDA/SCL Device Management Interface
- 48-pin VQFN (RGZ) Package
- Industrial Temperature Range: –40°C to +85°C

### 2 Applications

- Clock Distribution for High-Speed SERDES
- Distribution of SERDES Reference Clocks for 1G/10G Ethernet, 1X/2X/4X/10X Fibre Channel, PCI Express, Serial ATA, SONET, CPRI, OBSAI, and so forth
- Up to 1-to-10 Clock Buffering and Fan-out

### 4 Simplified Schematic



### 3 Description

The CDCL1810A is a high-performance clock distributor. The programmable dividers, P0 and P1, give a high flexibility to the ratio of the output frequency to the input frequency:  $F_{OUT} = F_{IN}/P$ , where  $P (P0,P1) = 1, 2, 4, 5, 8, 10, 16, 20, 32, 40, 80$ .

The CDCL1810A supports one differential LVDS clock input and a total of 10 differential CML outputs. The CML outputs are compatible with LVDS receivers if they are ac-coupled.

With careful observation of the input voltage swing and common-mode voltage limits, the CDCL1810A can support a single-ended clock input as outlined in *Pin Configuration and Functions*.

All device settings are programmable through the SDA/SCL, serial two-wire interface. The serial interface is 1.8V tolerant only.

The device operates in a 1.8V supply environment and is characterized for operation from –40°C to +85°C. The CDCL1810A is available in a 48-pin QFN (RGZ) package.

#### Device Information<sup>(1)</sup>

PART NUMBER	PACKAGE	BODY SIZE (NOM)
CDCL1810A	VQFN (48)	7.00 mm x 7.00 mm

(1) For all available packages, see the orderable addendum at the end of the datasheet.



## Table of Contents

<b>1</b>	<b>Features</b> .....	<b>1</b>	9.1	Overview .....	<b>10</b>
<b>2</b>	<b>Applications</b> .....	<b>1</b>	9.2	Functional Block Diagram .....	<b>10</b>
<b>3</b>	<b>Description</b> .....	<b>1</b>	9.3	Feature Description .....	<b>11</b>
<b>4</b>	<b>Simplified Schematic</b> .....	<b>1</b>	9.4	Device Functional Modes .....	<b>13</b>
<b>5</b>	<b>Revision History</b> .....	<b>2</b>	9.5	Programming .....	<b>13</b>
<b>6</b>	<b>Device Comparison Tables</b> .....	<b>3</b>	9.6	Register Maps .....	<b>15</b>
<b>7</b>	<b>Pin Configuration and Functions</b> .....	<b>4</b>	<b>10</b>	<b>Application and Implementation</b> .....	<b>18</b>
<b>8</b>	<b>Specifications</b> .....	<b>6</b>	10.1	Application Information .....	<b>18</b>
8.1	Absolute Maximum Ratings .....	<b>6</b>	<b>11</b>	<b>Power Supply Recommendations</b> .....	<b>19</b>
8.2	Handling Ratings .....	<b>6</b>	<b>12</b>	<b>Layout</b> .....	<b>19</b>
8.3	Recommended Operating Conditions .....	<b>6</b>	12.1	Layout Guidelines .....	<b>19</b>
8.4	Thermal Information .....	<b>6</b>	12.2	Layout Example .....	<b>20</b>
8.5	DC Electrical Characteristics .....	<b>7</b>	<b>13</b>	<b>Device and Documentation Support</b> .....	<b>22</b>
8.6	AC Electrical Characteristics .....	<b>7</b>	13.1	Trademarks .....	<b>22</b>
8.7	AC Electrical Characteristics for the SDA/SCL Interface .....	<b>8</b>	13.2	Electrostatic Discharge Caution .....	<b>22</b>
8.8	Typical Characteristics .....	<b>9</b>	13.3	Glossary .....	<b>22</b>
<b>9</b>	<b>Detailed Description</b> .....	<b>10</b>	<b>14</b>	<b>Mechanical, Packaging, and Orderable Information</b> .....	<b>22</b>

## 5 Revision History

DATE	REVISION	NOTES
November 2014	*	Initial release.

## 6 Device Comparison Tables

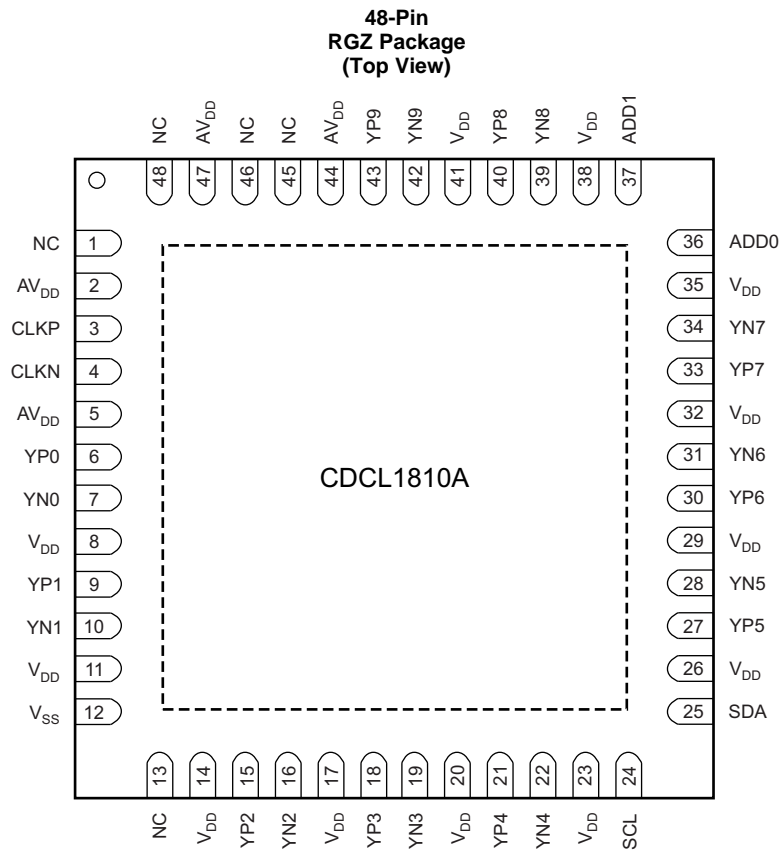
**Table 1. T<sub>A</sub> Device Comparison**

T <sub>A</sub>	PACKAGED DEVICES	FEATURES
–40°C to +85°C	CDCL1810ARGZT	48-pin VQFN (RGZ) Package, small tape and reel
–40°C to +85°C	CDCL1810ARGZR	48-pin VQFN (RGZ) Package, tape and reel

**Table 2. Device Feature Comparison**

FEATURE	CDCL1810	CDCL1810A
Divider Synchronization after power up and after each programming access. During Synchronization all outputs are disabled.	Yes	No
Output Group Phase Adjustment	Yes	No
Device Revision ID	b'011'	b'100'
1:10 Clock Fanout	Yes	Yes
Outputs grouped into two divider banks	Yes	Yes
Individual Output enabled/disable with I2C	Yes	Yes
Continuous and independent operation of outputs which are not programmed, while configuring and programming other outputs.	No	Yes

## 7 Pin Configuration and Functions



**NOTE:** Exposed thermal pad must be soldered to  $V_{SS}$ .

The CDCL1810A is available in a 48-pin VQFN (RGZ) package with a pin pitch of 0,5mm. The exposed thermal pad serves both thermal and electrical grounding purposes.

### NOTE

The device must be soldered to ground ( $V_{SS}$ ) using as many ground vias as possible. The device performance will be severely impacted if the exposed thermal pad is not grounded appropriately.

### Pin Functions

PIN		TYPE	DESCRIPTION
NAME	NUMBER		
V <sub>DD</sub>	8, 11, 14, 17, 20, 23, 26, 29, 32, 35, 38, 41	Power	1.8V digital power supply.
AV <sub>DD</sub>	2, 5, 44, 47	Power	1.8V analog power supply.
V <sub>SS</sub>	Exposed thermal pad and pin 12	Power	Ground reference.
NC	1, 13, 45, 46, 48	I	Not connected; leave open.
CLKP, CLKN	3, 4	I	Differential LVDS input. Single-ended 1.8-V input can be dc-coupled to pin 3 with pin 4 either tied to pin 3 (recommended) or left open.
YP0, YN0 YP1, YN1 YP2, YN2 YP3, YN3 YP4, YN4 YP5, YN5 YP6, YN6 YP7, YN7 YP8, YN8 YP9, YN9	6, 7 9, 10 15, 16 18, 19 21, 22 27, 28 30, 31 33, 34 40, 39 43, 42	O	10 differential CML outputs.
SCL	24	I	SCL serial clock pin. SCL tolerated 1.8V on the input only. Open drain. Always connect to a pull-up resistor.
SDA	25	I/O	SDA bidirectional serial data pin. SDA tolerates 1.8V on the input only. Open drain. Always connect to a pull-up resistor.
ADD1, ADD0	37, 36	I	Configurable least significant bits (ADD[1:0]) of the SDA/SCL device address. The fixed most significant bits (ADD[6:2]) of the 7-bit device address are 11010.

## 8 Specifications

### 8.1 Absolute Maximum Ratings<sup>(1)</sup>

Over operating free-air temperature range (unless otherwise noted).

		MIN	MAX	UNIT
V <sub>DD</sub> , AV <sub>DD</sub>	Supply voltage <sup>(2)</sup>	-0.3	2.5	V
V <sub>LVDS</sub>	Voltage range at LVDS input pins <sup>(2)</sup>	-0.3	VDD+0.6	V
V <sub>I</sub>	Voltage range at all non-LVDS input pins <sup>(2)</sup>	-0.3	VDD+0.6	V
T <sub>J</sub>	Junction temperature		+125	°C

(1) Stresses beyond those listed under *absolute maximum ratings* may cause permanent damage to the device. These are stress ratings only, and functional operation of the device at these or any other conditions beyond those indicated under *recommended operating condition* is not implied. Exposure to absolute-maximum-rated conditions for extended periods may affect device reliability.

(2) All voltage values are with respect to network ground terminal.

### 8.2 Handling Ratings

		MIN	MAX	UNIT
T <sub>stg</sub>	Storage temperature range	-65	+150	°C
V <sub>(ESD)</sub>	Electrostatic discharge	Human body model (HBM), per ANSI/ESDA/JEDEC JS-001, all pins <sup>(1)</sup>	2000	V
		Charged device model (CDM), per JEDEC specification JESD22-C101, all pins <sup>(2)</sup>	500	

(1) JEDEC document JEP155 states that 2000-V HBM allows safe manufacturing with a standard ESD control process.

(2) JEDEC document JEP157 states that 500-V CDM allows safe manufacturing with a standard ESD control process.

### 8.3 Recommended Operating Conditions

Over operating free-air temperature range (unless otherwise noted).

		MIN	NOM	MAX	UNIT
V <sub>DD</sub>	Digital supply voltage	1.7	1.8	1.9	V
AV <sub>DD</sub>	Analog supply voltage	1.7	1.8	1.9	V
T <sub>A</sub>	Ambient temperature (no airflow, no heatsink)	-40		+85	°C
T <sub>J</sub>	Junction temperature			+105	°C

### 8.4 Thermal Information

THERMAL METRIC <sup>(1)</sup>	CDCL1810A			UNIT
	RGZ			
	48 PINS			
R <sub>θJA</sub>	Junction-to-ambient thermal resistance <sup>(2)</sup>	28.3, Airflow = 0 LFM		°C/W
		22.4, Airflow = 50 LFM		
R <sub>θJC(top)</sub>	Junction-to-case (top) thermal resistance	20.5		
R <sub>θJC(bot)</sub>	Junction-to-case (bottom) thermal resistance	5.3		

(1) For more information about traditional and new thermal metrics, see the *IC Package Thermal Metrics* application report, [SPRA953](#).

(2) No heatsink; power uniformly distributed; 36 ground vias (6 x 6 array) tied to the thermal exposed pad; 4-layer high-K board.

## 8.5 DC Electrical Characteristics

Over recommended operating conditions (unless otherwise noted).

PARAMETER		TEST CONDITIONS	MIN	TYP	MAX	UNIT
$I_{VDD}$	Total current from digital 1.8V supply	All outputs enabled; $V_{DD} = V_{DD,typ}$ 650MHz LVDS input		212		mA
$I_{AVDD}$	Total current from analog 1.8V supply	All outputs enabled; $V_{DD} = V_{DD,typ}$ 650MHz LVDS input		16		mA
$V_{IL,CMOS}$	Low level CMOS input voltage	$V_{DD} = 1.8V$	-0.2		0.6	V
$V_{IH,CMOS}$	High level CMOS input voltage	$V_{DD} = 1.8V$	$V_{DD} - 0.6$		$V_{DD}$	V
$I_{IL,CMOS}$	Low level CMOS input current	$V_{DD} = V_{DD,max}$ , $V_{IL} = 0.0V$			-120	$\mu A$
$I_{IH,CMOS}$	High level CMOS input current	$V_{DD} = V_{DD,max}$ , $V_{IH} = 1.9V$			65	$\mu A$
$V_{OL,SDA}$	Low level CMOS output voltage for the SDA pin	Sink current = 3 mA	0		$0.2V_{DD}$	V
$I_{OL,CMOS}$	Low level CMOS output current				8	mA

## 8.6 AC Electrical Characteristics

Over recommended operating conditions (unless otherwise noted).

PARAMETER		TEST CONDITIONS	MIN	TYP	MAX	UNIT
$Z_{D,IN}$	Differential input impedance for the LVDS input terminals		90		132	$\Omega$
$V_{CM,IN}$	Common-mode voltage, LVDS input		1125	1200	1375	mV
$V_{S,IN}$	Single-ended LVDS input voltage swing		100		600	mV <sub>PP</sub>
$V_{D,IN}$	Differential LVDS input voltage swing		200		1200	
$t_{R,OUT}$ , $t_{F,OUT}$	Output signal rise/fall time	20%–80%		100		ps
$V_{CM,OUT}$	Common-mode voltage, CML outputs		$V_{DD} - 0.31$	$V_{DD} - 0.23$	$V_{DD} - 0.19$	V
$V_{S,OUT}$	Single-ended CML output voltage swing	ac-coupled	180	230	280	mV <sub>PP</sub>
$V_{D,OUT}$	Differential CML output voltage swing	measured in a 50- $\Omega$ scope; The CML output incorporates 50- $\Omega$ resistors to VDD	360	460	560	
$F_{IN}$	Clock input frequency				650	MHz
$F_{OUT}$	Clock output frequency				650	

## AC Electrical Characteristics (continued)

Over recommended operating conditions (unless otherwise noted).

PARAMETER		TEST CONDITIONS	MIN	TYP	MAX	UNIT
<b>ADDITIVE CLOCK OUTPUT JITTER</b>						
J <sub>OUT</sub>	F <sub>IN</sub> = 30.72MHz, F <sub>OUT</sub> = 30.72MHz V <sub>D,IN</sub> = 200mV <sub>PP</sub>	10 Hz to 1 MHz offset		180		fs RMS
		1 MHz to 5 MHz offset		348		
		12 kHz to 5 MHz offset		388		
	F <sub>IN</sub> = 30.72MHz, F <sub>OUT</sub> = 30.72MHz V <sub>D,IN</sub> = 1200mV <sub>PP</sub>	10 Hz to 1 MHz offset		175		fs RMS
1 MHz to 5 MHz offset			347			
12 kHz to 5 MHz offset			388			
F <sub>IN</sub> = 650MHz, F <sub>OUT</sub> = 650MHz V <sub>D,IN</sub> = 200mV <sub>PP</sub>	10 Hz to 1 MHz offset		41		fs RMS	
	1 MHz to 20 MHz offset		36			
	12 kHz to 20 MHz offset		42			
F <sub>IN</sub> = 650MHz, F <sub>OUT</sub> = 650MHz V <sub>D,IN</sub> = 1200mV <sub>PP</sub>	10 Hz to 1 MHz offset		48		fs RMS	
	1 MHz to 20 MHz offset		33			
	12 kHz to 20 MHz offset		39			
T <sub>P</sub>	Input-to-output delay	F <sub>IN</sub> = 30.72MHz, F <sub>OUT</sub> = 30.72MHz YP[9:0] outputs		0.7		ns
T <sub>SOUT</sub>	Clock output skew	F <sub>IN</sub> = 30.72MHz, F <sub>OUT</sub> = 30.72MHz YP[9:0] outputs relative to YP[0]	-64		64	ps

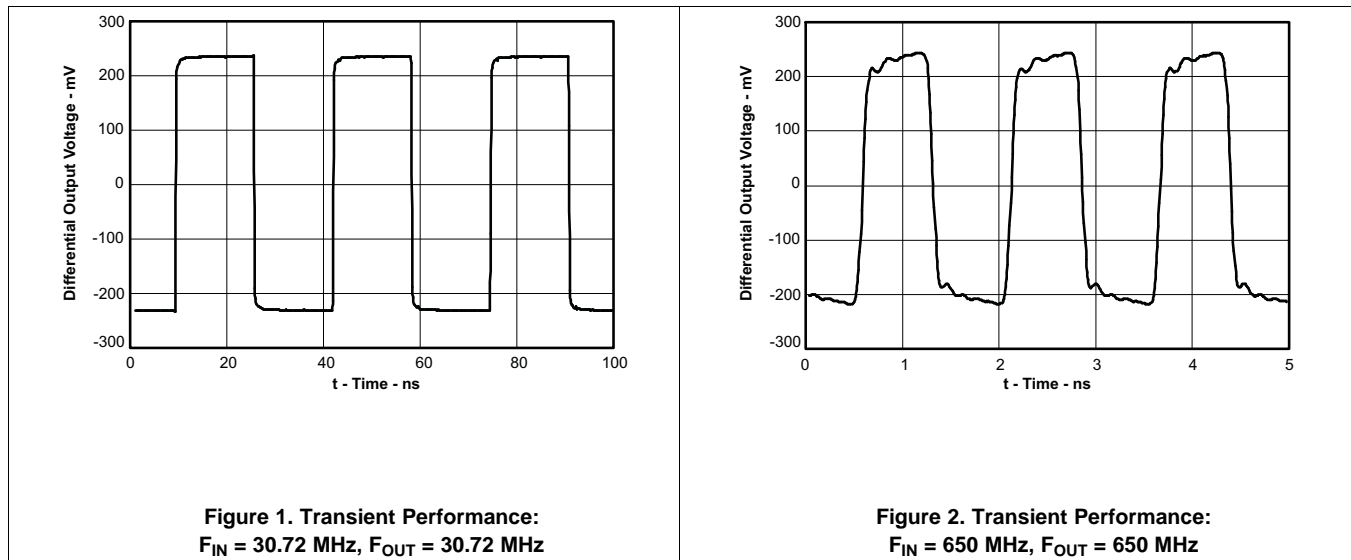
## 8.7 AC Electrical Characteristics for the SDA/SCL Interface<sup>(1)</sup>

PARAMETER		MIN	TYP	MAX	UNIT
f <sub>SCL</sub>	SCL frequency			400	kHz
t <sub>h</sub> (START)	START hold time	0.6			μs
t <sub>w</sub> (SCLL)	SCL low-pulse duration	1.3			μs
t <sub>w</sub> (SCLH)	SCL high-pulse duration	0.6			μs
t <sub>su</sub> (START)	START setup time	0.6			μs
t <sub>h</sub> (SDATA)	SDA hold time	0			μs
t <sub>su</sub> (DATA)	SDA setup time	0.6			μs
t <sub>r</sub> (SDATA)	SCL / SDA input rise time			0.3	μs
t <sub>f</sub> (SDATA)	SCL / SDA input fall time			0.3	μs
t <sub>su</sub> (STOP)	STOP setup time	0.6			μs
t <sub>BUS</sub>	bus free time	1.3			μs

(1) See [Figure 7](#) for the timing behavior.

## 8.8 Typical Characteristics

Typical operating conditions are at  $V_{DD} = 1.8V$  and  $T_A = +25^\circ C$ ,  $V_{D,IN} = 200mV_{PP}$  (unless otherwise noted).

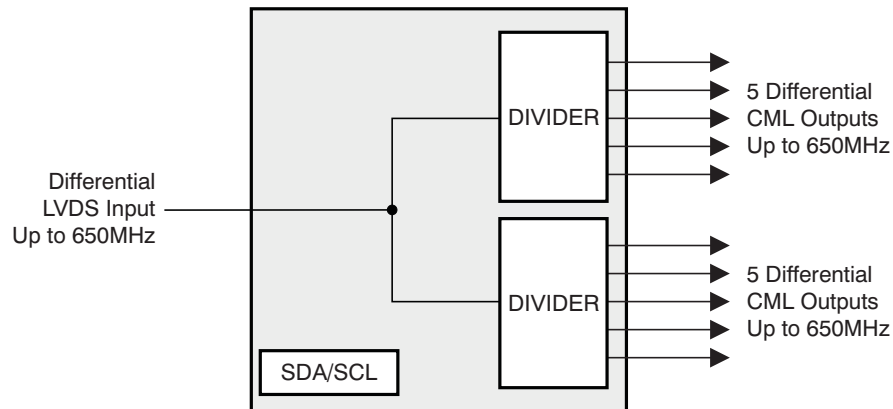


## 9 Detailed Description

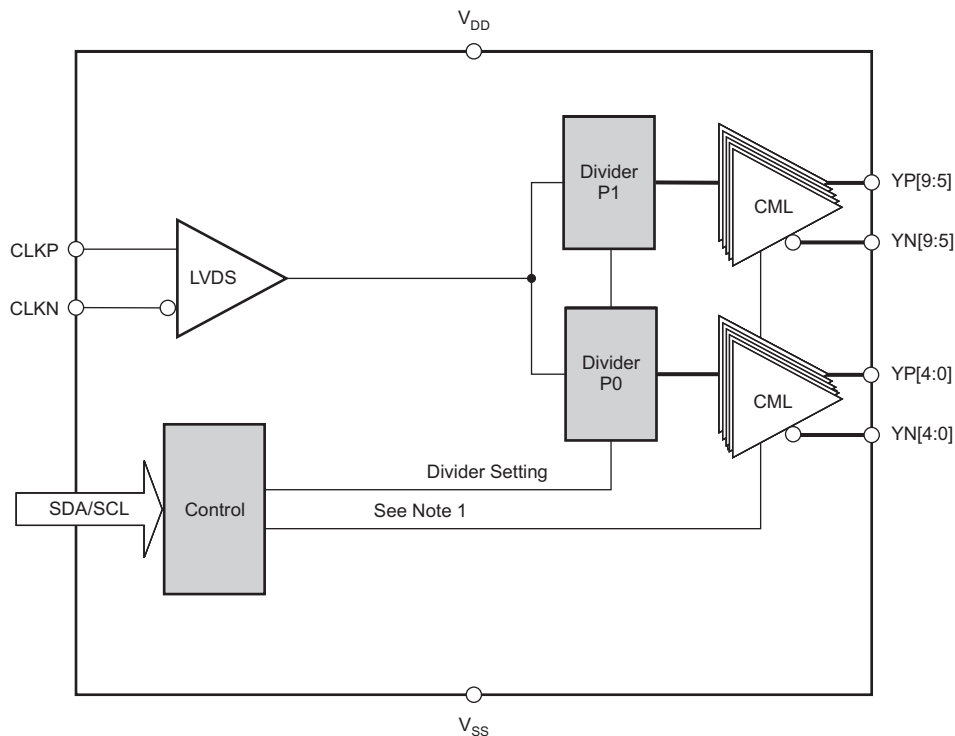
### 9.1 Overview

The CDCL1810A is a high performance fanout clock buffer that features two banks of independent integer dividers ranging from 1 to 80. CDCL1810A is designed in a way that individual outputs can be configured -- or reconfigured -- without impacting operation of other outputs.

### 9.2 Functional Block Diagram



**Figure 3. CDCL1810A Simplified Schematic**



Note 1: Outputs can be disabled to floating. When outputs are left floating, internal 50  $\Omega$  termination to  $V_{DD}$  pulls both YN and YP to VDD.

**Figure 4. Functional Block Diagram**

## 9.3 Feature Description

### 9.3.1 Output Enable/Disable

The CDCL1810A does not have an output synchronization feature like the CDCL1810. The CDCL1810A ensures that all outputs stay enabled during any device communication like output enable/disable. Divider changes will apply immediately at the outputs. This may cause a glitch and may result in different phase offsets between both dividers.

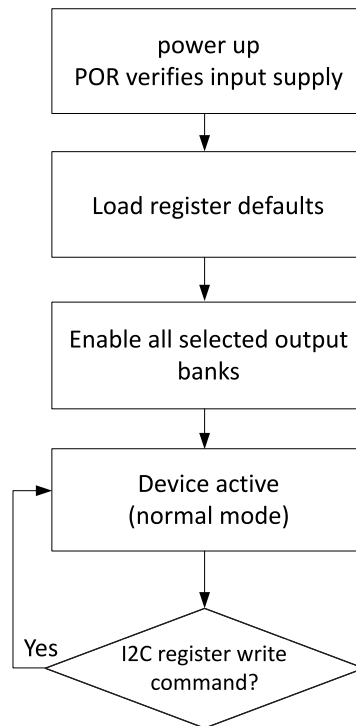


Figure 5. Device Status Flow Chart

### 9.3.2 SDA/SCL Interface

This section describes the SDA/SCL interface of the CDCL1810A device. The CDCL1810A operates as a slave device of the industry standard 2-pin SDA/SCL bus. It operates in the fast-mode at a bit-rate of up to 400 kbit/s and supports 7-bit addressing compatible with the popular 2-pin serial interface standard.

#### 9.3.2.1 SDA/SCL Bus Slave Device Address

A6	A5	A4	A3	A2	A1	A0	R/W
1	1	0	1	0	ADD1	ADD0	0/1

The device address is made up of the fixed internal address, 11010 (A6:A2), and configurable external pins ADD1 (A1) and ADD0 (A0). Four different devices with addresses 1101000, 1101001, 1101010 and 1101011, can be addressed via the same SDA/SCL bus interface. The least significant bit of the address byte designates a write or read operation.

R/W Bit:

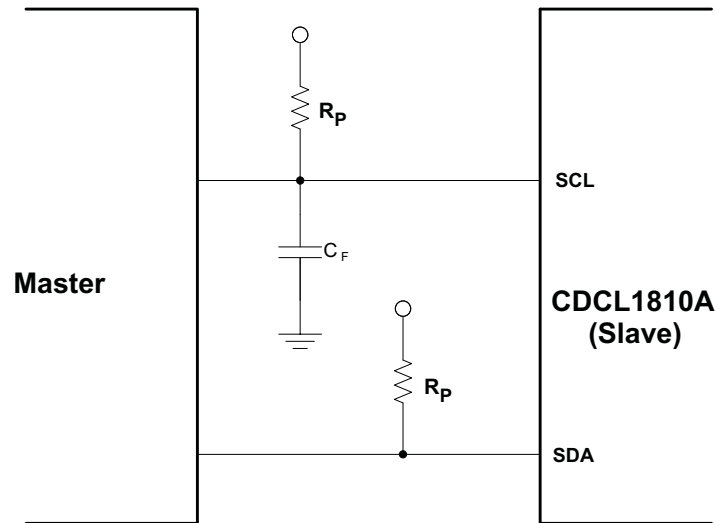
- 0 = write to CDCL1810A device
- 1 = read from CDCL1810A device

## Feature Description (continued)

### 9.3.2.2 SDA/SCL Connections Recommendations

The serial interface inputs don't have glitch suppression circuit. So, any noises or glitches at serial input lines may cause programming error. The serial interface lines should be routed in such a way that the lines would have minimum noise impact from the surroundings.

Figure 6 is recommended to improve the interconnections.



**Figure 6. Serial Interface Connections**

Lower  $R_P$  resistor value (around 1 k $\Omega$ ) should be chosen so that signals will have faster rise time. A capacitor can be connected to SCL line to ground which will act as a filter.

An I<sup>2</sup>C level translator will help to overcome the noises issue.

## 9.4 Device Functional Modes

The device is designed to operate from an input voltage supply of 1.8 V. In the default power on reset, all device outputs are enabled and the dividers P0 and P1 are set to 1.

## 9.5 Programming

### 9.5.1 SDA/SCL Interface

This section describes the SDA/SCL interface of the CDCL1810A device. The CDCL1810A operates as a slave device of the industry standard 2-pin SDA/SCL bus. It operates in the fast-mode at a bit-rate of up to 400 kb/s and supports 7-bit addressing compatible with the popular 2-pin serial interface standard. The device address is made up of the fixed internal address, 11010 (A6:A2), and configurable external pins ADD1 (A1) and ADD0 (A0). Four different devices with addresses 1101000, 1101001, 1101010, and 1101011, can be addressed via the same SDA/SCL bus interface. The least significant bit of the address byte designates a write or read operation.

R/W bit:

0 = write to CDCL1810 device.

1 = read from CDCL1810 device.

### 9.5.2 Command Code Definition

**Table 3. Command Code Definition**

BIT	DESCRIPTION
C7	1 = <i>Byte Write / Read</i> or <i>Word Write / Read</i> operation
(C6:C0)	Byte Offset for <i>Byte Write / Read</i> and <i>Word Write / Read</i> operation.

**Table 4. SDA/SCL Bus Slave Device Address**

A6	A5	A4	A3	A2	A1	A0	R/W
1	1	0	1	0	ADD1	ADD0	0/1

**Table 5. Command Code for Byte Write / Read Operation**

	HEX CODE	C7	C6	C5	C4	C3	C2	C1	C0
byte 0	80h	1	0	0	0	0	0	0	0
byte 1	81h	1	0	0	0	0	0	0	1
byte 2	82h	1	0	0	0	0	0	1	0
byte 3	83h	1	0	0	0	0	0	1	1
byte 4	84h	1	0	0	0	0	1	0	0
byte 5	85h	1	0	0	0	0	1	0	1
byte 6	86h	1	0	0	0	0	1	1	0

**Table 6. Command Code for Word Write / Read Operation**

	HEX CODE	C7	C6	C5	C4	C3	C2	C1	C0
word 0: byte 0 and byte 1	80h	1	0	0	0	0	0	0	0
word 1: byte 1 and byte 2	81h	1	0	0	0	0	0	0	1
word 2: byte 2 and byte 3	82h	1	0	0	0	0	0	1	0
word 3: byte 3 and byte 4	83h	1	0	0	0	0	0	1	1
word 4: byte 4 and byte 5	84h	1	0	0	0	0	1	0	0
word 5: byte 5 and byte 6	85h	1	0	0	0	0	1	0	1
word 6: byte 6 and byte 7	86h	1	0	0	0	0	1	1	0

### 9.5.3 SDA/SCL Timing Characteristics

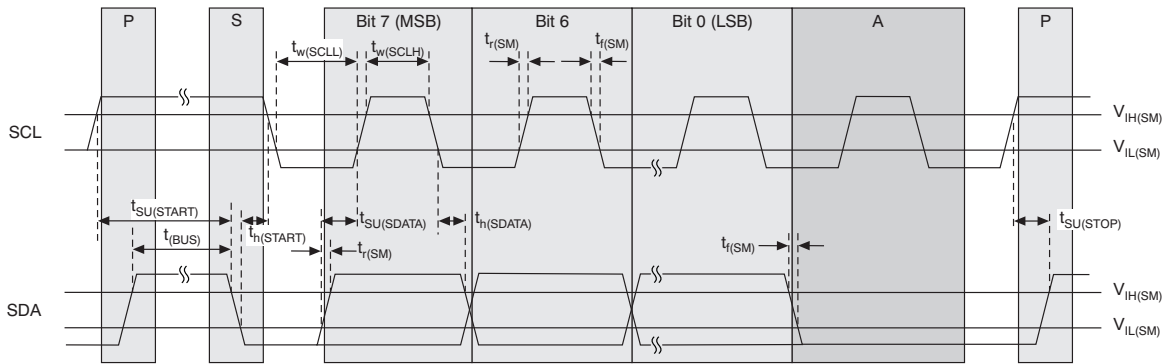


Figure 7. Timing Diagram for the SDA/SCL Serial Control Interface

### 9.5.4 SDA/SCL Programming Sequence

1	7	1	1	8	1	1
S	Slave Address	Wr	A	Data Byte	A	P

- S** Start condition
- Sr** Repeated start condition
- Rd** Read (bit value = 1)
- Wr** Write (bit value = 0)
- A** Acknowledge (bit value = 0)
- N** Not acknowledge (bit value = 1)
- P** Stop condition
- Master to Slave transmission
- Slave to Master transmission

Figure 8. Legend for Programming Sequence

Table 7. Byte Write Programming Sequence

1	7	1	1	8	1	8	1	1
S	Slave Address	Wr	A	Command Code	A	Data Byte	A	P

Table 8. Byte Read Programming Sequence

1	7	1	1	8	1	1	7	1	1	8	1	1
S	Slave Address	Wr	A	Command Code	A	S	Slave Address	Rd	A	Data Byte	N	P

Table 9. Word Write Programming Sequence:

1	7	1	1	8	1	8	1	8	1	1
S	Slave Address	Wr	A	Command Code	A	Data Byte Low	A	Data Byte High	A	P

Table 10. Word Read Programming Sequence:

1	7	1	1	8	1	1	7	1	1	8	1	8	1	1
S	Slave Address	Wr	A	Command Code	A	S	Slave Address	Rd	A	Data Byte	A	Data Byte	N	P

## 9.6 Register Maps

### 9.6.1 SDA/SCL Bus Configuration Command Bitmap

#### 9.6.1.1 Byte 0:

BIT	BIT NAME	DESCRIPTION/FUNCTION	TYPE	POWER UP CONDITION	REFERENCE TO
7	MANF[7]	Manufacturer reserved	R		
6	MANF[6]	Manufacturer reserved	R		
5	REV[2]	Device revision	R	1	
4	REV[1]	Device revision	R	0	
3	REV[0]	Device revision	R	0	
2	MANF[2]	Manufacturer reserved	R		
1	MANF[1]	Manufacturer reserved	R		
0	MANF[0]	Manufacturer reserved	R		

#### 9.6.1.2 Byte 1:

BIT	BIT NAME	DESCRIPTION/FUNCTION	TYPE	POWER UP CONDITION	REFERENCE TO
7	RES	Reserved	R/W	0	
6	RES	Reserved	R/W	0	
5	RES	Reserved	R/W	1	
4	RES	Reserved	R/W	0	
3	RES	Reserved	R/W	0	
2	RES	Reserved	R/W	0	
1	RES	Reserved	R/W	0	
0	RES	Reserved	R/W	0	

#### 9.6.1.3 Byte 2:

BIT	BIT NAME	DESCRIPTION/FUNCTION	TYPE	POWER UP CONDITION	REFERENCE TO
7	RES	Reserved	R/W	0	
6	RES	Reserved	R/W	0	
5	ENP1	Post-divider P1 enable; if 0 output YP[9:5] and YN[9:5] are disabled	R/W	1	
4	RES	Reserved	R/W	1	
3	SELP1[3]	Divide ratio select for post-divider P1	R/W	0	<a href="#">Table 11</a>
2	SELP1[2]	Divide ratio select for post-divider P1	R/W	0	<a href="#">Table 11</a>
1	SELP1[1]	Divide ratio select for post-divider P1	R/W	0	<a href="#">Table 11</a>
0	SELP1[0]	Divide ratio select for post-divider P1	R/W	0	<a href="#">Table 11</a>

**9.6.1.4 Byte 3:**

BIT	BIT NAME	DESCRIPTION/FUNCTION	TYPE	POWER UP CONDITION	REFERENCE TO
7	RES	Reserved	R/W	0	
6	RES	Reserved	R/W	0	
5	RES	Reserved	R/W	0	
4	RES	Reserved	R/W	0	
3	RES	Reserved	R/W	0	
2	RES	Reserved	R/W	0	
1	RES	Reserved	R/W	0	
0	RES	Reserved	R/W	0	

**9.6.1.5 Byte 4:**

BIT	BIT NAME	DESCRIPTION/FUNCTION	TYPE	POWER UP CONDITION	REFERENCE TO
7	RES	Reserved	R/W	0	
6	RES	Reserved	R/W	0	
5	ENP0	Post-divider P0 enable. If 0, output YP[4:0] and YN[4:0] are disabled	R/W	1	
4	RES	Reserved	R/W	1	
3	SELP0[3]	Divide ratio select for post-divider P0	R/W	0	<a href="#">Table 11</a>
2	SELP0[2]	Divide ratio select for post-divider P0	R/W	0	<a href="#">Table 11</a>
1	SELP0[1]	Divide ratio select for post-divider P0	R/W	0	<a href="#">Table 11</a>
0	SELP0[0]	Divide ratio select for post-divider P0	R/W	0	<a href="#">Table 11</a>

**9.6.1.6 Byte 5:**

BIT	BIT NAME	DESCRIPTION/FUNCTION	TYPE	POWER UP CONDITION	REFERENCE TO
7	EN	Chip enable; if 0 chip is in lddq mode	R/W	1	
6	RES	Reserved	R	1	
5	ENDRV9	YP[9], YN[9] enable; if 0 output is disabled	R/W	1	
4	ENDRV8	YP[8], YN[8] enable; if 0 output is disabled	R/W	1	
3	ENDRV7	YP[7], YN[7] enable; if 0 output is disabled	R/W	1	
2	ENDRV6	YP[6], YN[6] enable; if 0 output is disabled	R/W	1	
1	ENDRV5	YP[5], YN[5] enable; if 0 output is disabled	R/W	1	
0	ENDRV4	YP[4], YN[4] enable; if 0 output is disabled	R/W	1	

**9.6.1.7 Byte 6:**

BIT	BIT NAME	DESCRIPTION/FUNCTION	TYPE	POWER UP CONDITION	REFERENCE TO
7	ENDRV3	YP[3], YN[3] enable; if 0 output is disabled	R/W	1	
6	ENDRV2	YP[2], YN[2] enable; if 0 output is disabled	R/W	1	
5	ENDRV1	YP[1], YN[1] enable; if 0 output is disabled	R/W	1	
4	ENDRV0	YP[0], YN[0] enable; if 0 output is disabled	R/W	1	
3	RES	Reserved	R/W	0	
2	RES	Reserved	R/W	0	
1	RES	Reserved	R/W	0	
0	RES	Reserved	R/W	0	

**Table 11. Divide Ratio Settings for Post-Divider P0 or P1**

DIVIDE RATIO	SELP1[3] or SELP0[3]	SELP1[2] or SELP0[2]	SELP1[1] or SELP0[1]	SELP1[0] or SELP0[0]	NOTES
1	0	0	0	0	Default
2	0	0	0	1	
4	0	0	1	0	
5	0	0	1	1	
8	0	1	0	0	
10	0	1	0	1	
16	0	1	1	0	
20	0	1	1	1	
32	1	0	0	0	
40	1	0	0	1	
80	1	0	1	0	

## 10 Application and Implementation

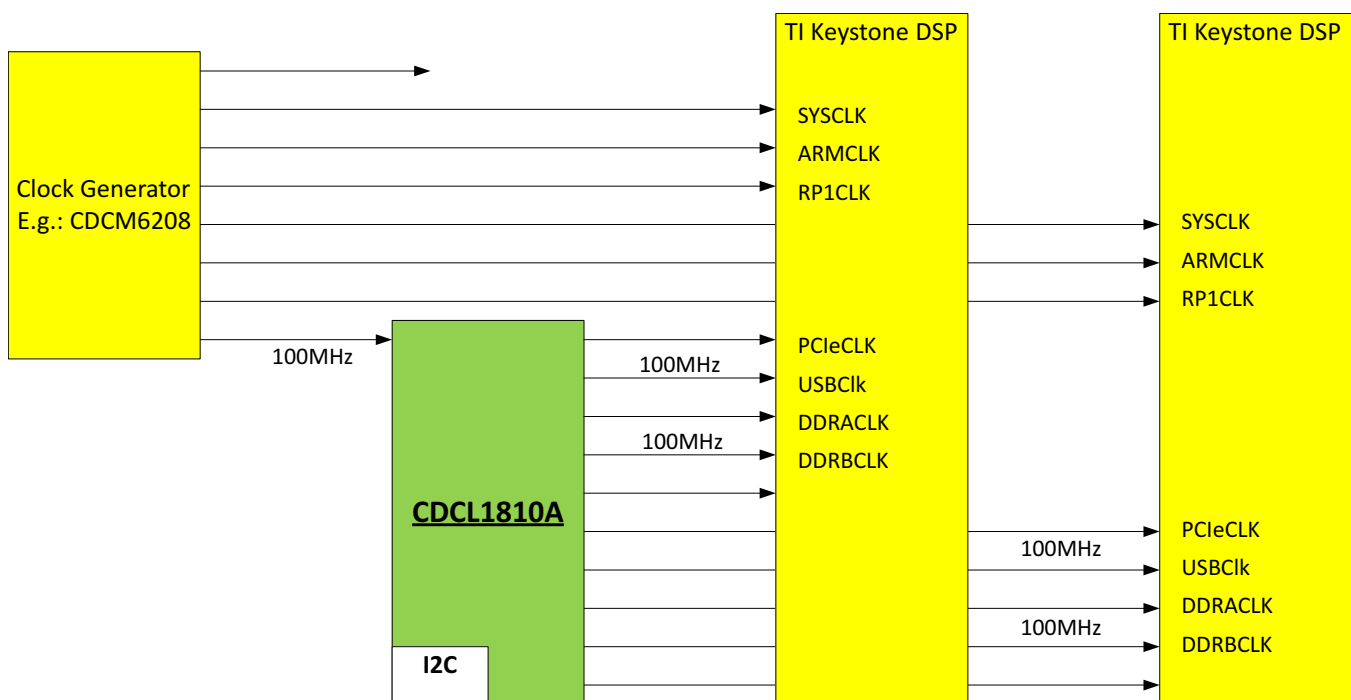
### NOTE

Information in the following applications sections is not part of the TI component specification, and TI does not warrant its accuracy or completeness. TI's customers are responsible for determining suitability of components for their purposes. Customers should validate and test their design implementation to confirm system functionality.

### 10.1 Application Information

The CDCL1810 is a high-performance buffer that can generate 10 copies of CML clock outputs from a LVDS input. The programmable dividers, P0 and P1, give a high flexibility to the ratio of the output frequency to the input frequency.

#### 10.1.1 Clock Distribution for Multiple TI Keystone DSPs



**Figure 9. CDCL1810A Application Drawing**

##### 10.1.1.1 Design Requirements

A typical application example is multi DSP chip environment. The CDCL1810A is used to buffer the common clocks to the DSP.

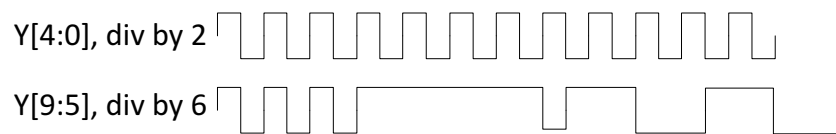
##### 10.1.1.2 Detailed Design Procedure

The CDCL1810A does not support output group phase alignment if a divider gets reprogrammed. Both clock groups might be out of phase by multiple input clock cycles. This is especially of concern if both dividers are greater than 1 (see [Figure 10](#)).

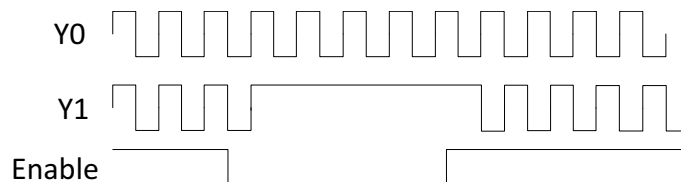
Continuous operation of output clocks is ensured, while enabling/disabling of outputs in the CDCL1810A. (see [Figure 11](#)).

## Application Information (continued)

### 10.1.1.3 Application Curves



**Figure 10. Output Group Divider Change**



**Figure 11. Individual Output Disable/Enable**

## 11 Power Supply Recommendations

The device is designed to operate from an input voltage supply of 1.8 V for analog supply (AVDD) and core supply (VDD). Both AVDD and VDD can be supplied by a single source.

## 12 Layout

### 12.1 Layout Guidelines

- Keep the connections between the bypass capacitors and the power supply on the device as short as possible.
- Ground the other side of the capacitor using a low impedance connection to the ground plane.
- If the capacitors are mounted on the back side, 0402 components can be employed; however, soldering to the Thermal Dissipation Pad can be difficult.
- For component side mounting, use 0201 body size capacitors to facilitate signal routing.

---

#### NOTE

The device must be soldered to ground ( $V_{SS}$ ) using as many ground vias as possible. The device performance will be severely impacted if the exposed thermal pad is not grounded appropriately.

---

## 12.2 Layout Example

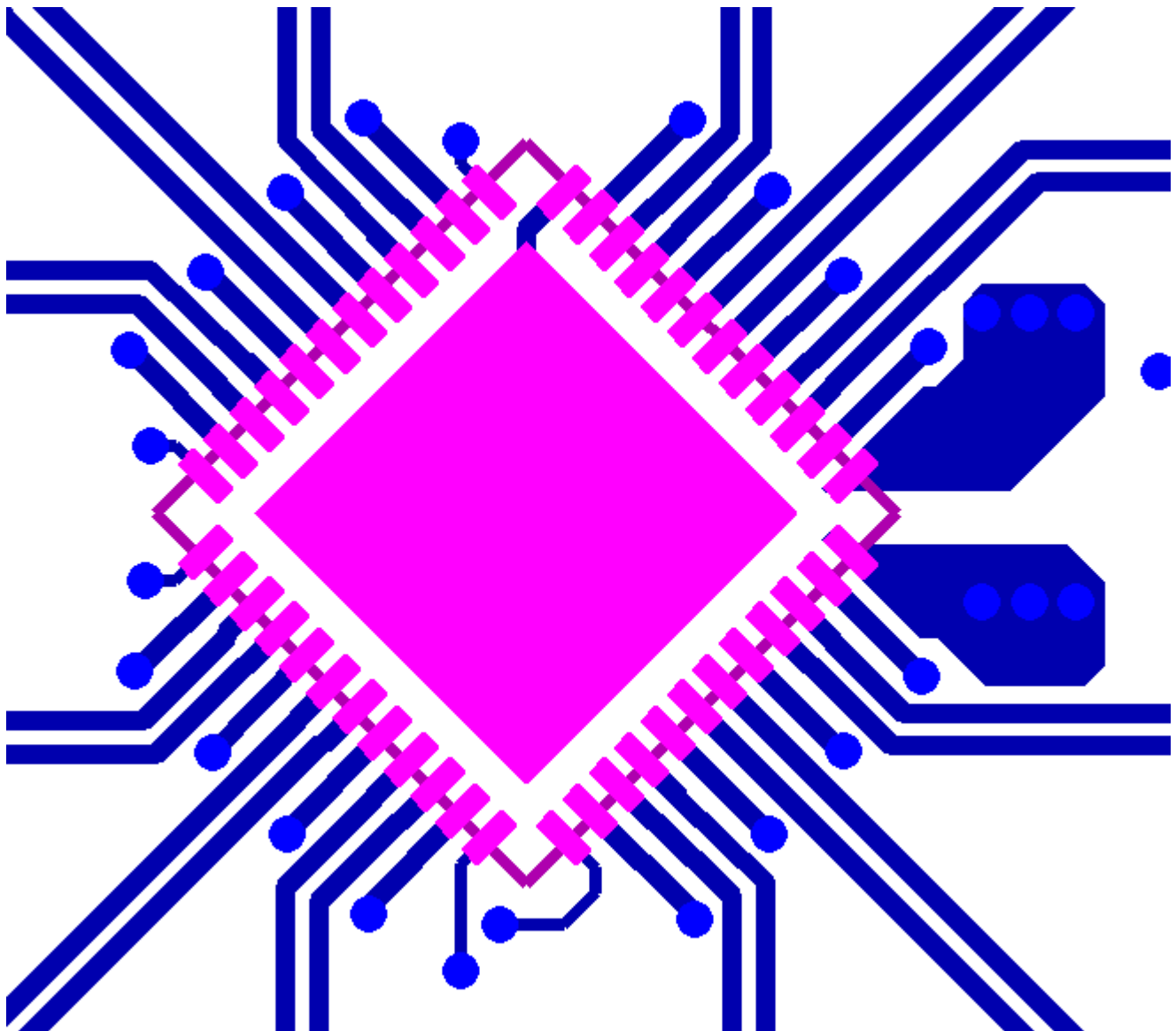


Figure 12. Layout Example: Signal Layer (TOP)

Layout Example (continued)

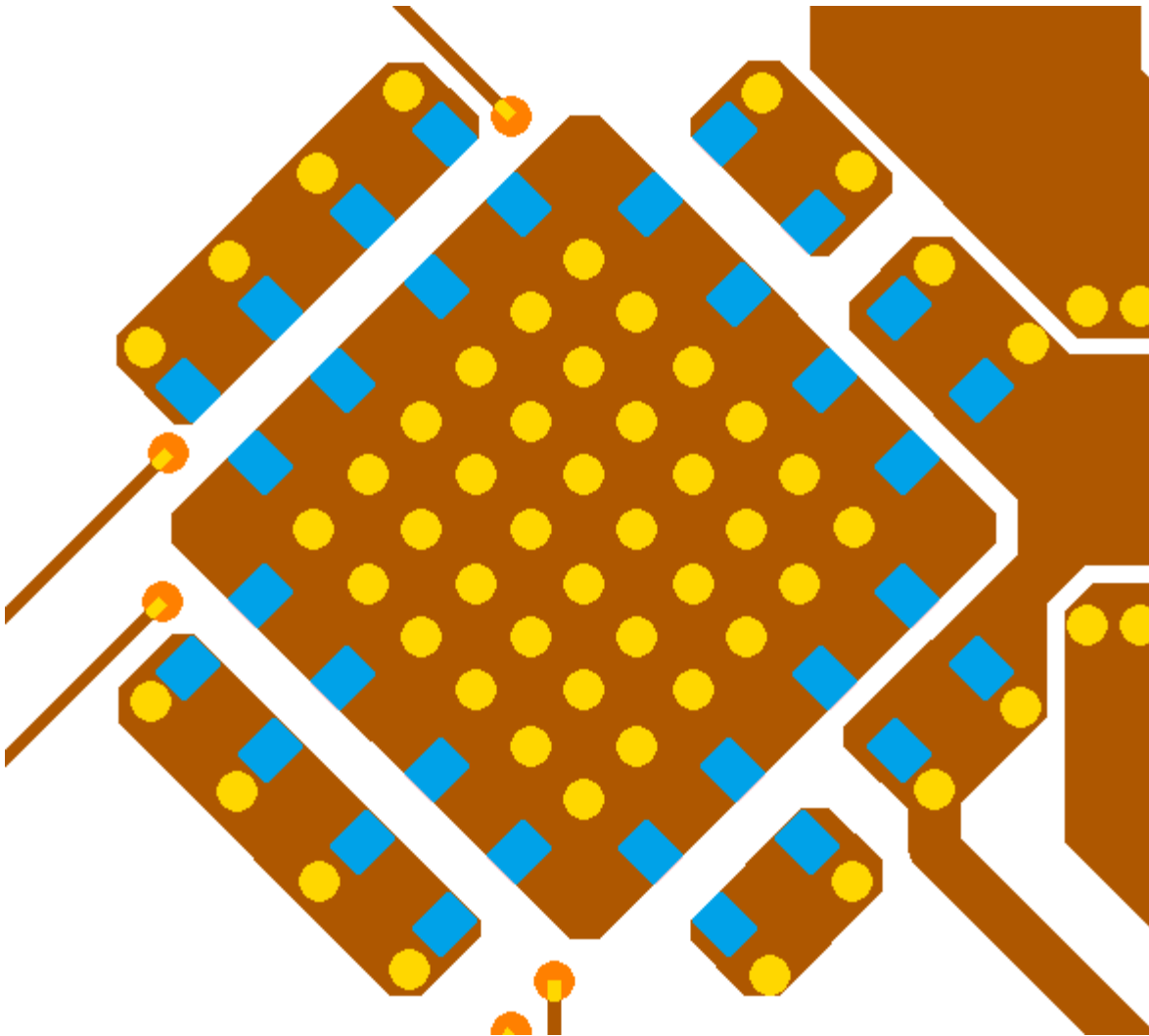


Figure 13. Layout Example: Bottom Layer with Decoupling Capacitors

## 13 Device and Documentation Support

### 13.1 Trademarks

All trademarks are the property of their respective owners.

### 13.2 Electrostatic Discharge Caution



These devices have limited built-in ESD protection. The leads should be shorted together or the device placed in conductive foam during storage or handling to prevent electrostatic damage to the MOS gates.

### 13.3 Glossary

[SLYZ022](#) — *TI Glossary*.

This glossary lists and explains terms, acronyms, and definitions.

## 14 Mechanical, Packaging, and Orderable Information

The following pages include mechanical, packaging, and orderable information. This information is the most current data available for the designated devices. This data is subject to change without notice and revision of this document. For browser-based versions of this data sheet, refer to the left-hand navigation.

**PACKAGING INFORMATION**

Orderable Device	Status (1)	Package Type	Package Drawing	Pins	Package Qty	Eco Plan (2)	Lead/Ball Finish (6)	MSL Peak Temp (3)	Op Temp (°C)	Device Marking (4/5)	Samples
CDCL1810ARGZR	ACTIVE	VQFN	RGZ	48	2500	Green (RoHS & no Sb/Br)	CU NIPDAU	Level-3-260C-168 HR	-40 to 85	CDCL 1810A	<a href="#">Samples</a>
CDCL1810ARGZT	ACTIVE	VQFN	RGZ	48	250	Green (RoHS & no Sb/Br)	CU NIPDAU	Level-3-260C-168 HR	-40 to 85	CDCL 1810A	<a href="#">Samples</a>

(1) The marketing status values are defined as follows:

**ACTIVE:** Product device recommended for new designs.

**LIFEBUY:** TI has announced that the device will be discontinued, and a lifetime-buy period is in effect.

**NRND:** Not recommended for new designs. Device is in production to support existing customers, but TI does not recommend using this part in a new design.

**PREVIEW:** Device has been announced but is not in production. Samples may or may not be available.

**OBSOLETE:** TI has discontinued the production of the device.

(2) **RoHS:** TI defines "RoHS" to mean semiconductor products that are compliant with the current EU RoHS requirements for all 10 RoHS substances, including the requirement that RoHS substance do not exceed 0.1% by weight in homogeneous materials. Where designed to be soldered at high temperatures, "RoHS" products are suitable for use in specified lead-free processes. TI may reference these types of products as "Pb-Free".

**RoHS Exempt:** TI defines "RoHS Exempt" to mean products that contain lead but are compliant with EU RoHS pursuant to a specific EU RoHS exemption.

**Green:** TI defines "Green" to mean the content of Chlorine (Cl) and Bromine (Br) based flame retardants meet JS709B low halogen requirements of <=1000ppm threshold. Antimony trioxide based flame retardants must also meet the <=1000ppm threshold requirement.

(3) MSL, Peak Temp. - The Moisture Sensitivity Level rating according to the JEDEC industry standard classifications, and peak solder temperature.

(4) There may be additional marking, which relates to the logo, the lot trace code information, or the environmental category on the device.

(5) Multiple Device Markings will be inside parentheses. Only one Device Marking contained in parentheses and separated by a "~" will appear on a device. If a line is indented then it is a continuation of the previous line and the two combined represent the entire Device Marking for that device.

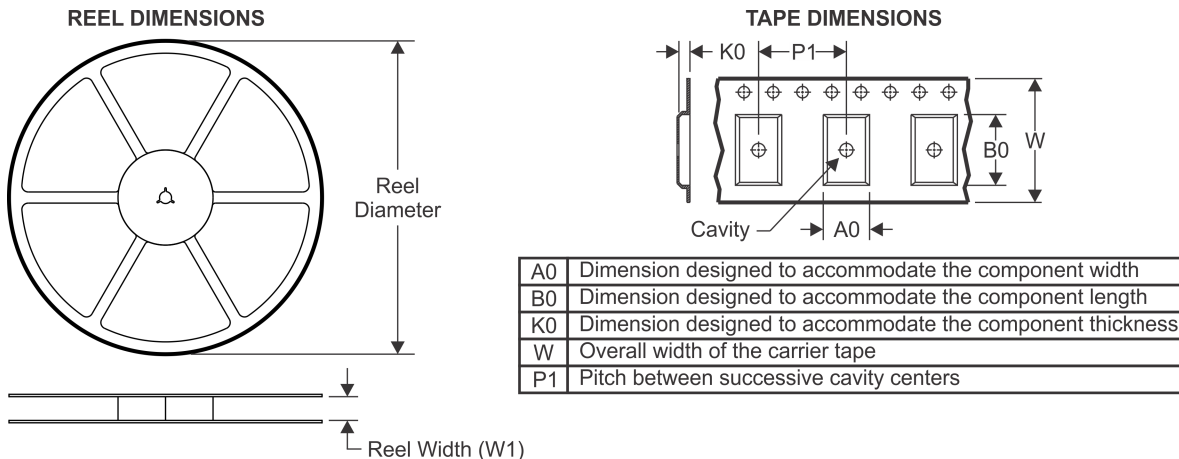
(6) Lead/Ball Finish - Orderable Devices may have multiple material finish options. Finish options are separated by a vertical ruled line. Lead/Ball Finish values may wrap to two lines if the finish value exceeds the maximum column width.

**Important Information and Disclaimer:**The information provided on this page represents TI's knowledge and belief as of the date that it is provided. TI bases its knowledge and belief on information provided by third parties, and makes no representation or warranty as to the accuracy of such information. Efforts are underway to better integrate information from third parties. TI has taken and continues to take reasonable steps to provide representative and accurate information but may not have conducted destructive testing or chemical analysis on incoming materials and chemicals. TI and TI suppliers consider certain information to be proprietary, and thus CAS numbers and other limited information may not be available for release.

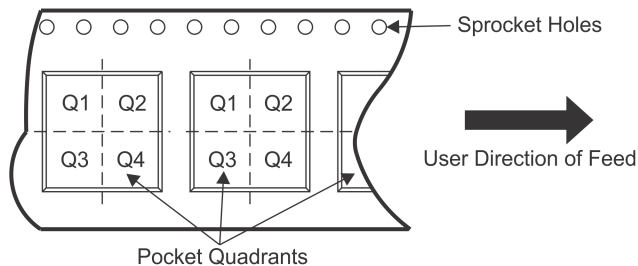
In no event shall TI's liability arising out of such information exceed the total purchase price of the TI part(s) at issue in this document sold by TI to Customer on an annual basis.



## TAPE AND REEL INFORMATION



### QUADRANT ASSIGNMENTS FOR PIN 1 ORIENTATION IN TAPE



\*All dimensions are nominal

Device	Package Type	Package Drawing	Pins	SPQ	Reel Diameter (mm)	Reel Width W1 (mm)	A0 (mm)	B0 (mm)	K0 (mm)	P1 (mm)	W (mm)	Pin1 Quadrant
CDCL1810ARGZR	VQFN	RGZ	48	2500	330.0	16.4	7.3	7.3	1.5	12.0	16.0	Q2
CDCL1810ARGZT	VQFN	RGZ	48	250	180.0	16.4	7.3	7.3	1.5	12.0	16.0	Q2

TAPE AND REEL BOX DIMENSIONS



\*All dimensions are nominal

Device	Package Type	Package Drawing	Pins	SPQ	Length (mm)	Width (mm)	Height (mm)
CDCL1810ARGZR	VQFN	RGZ	48	2500	350.0	350.0	43.0
CDCL1810ARGZT	VQFN	RGZ	48	250	213.0	191.0	55.0

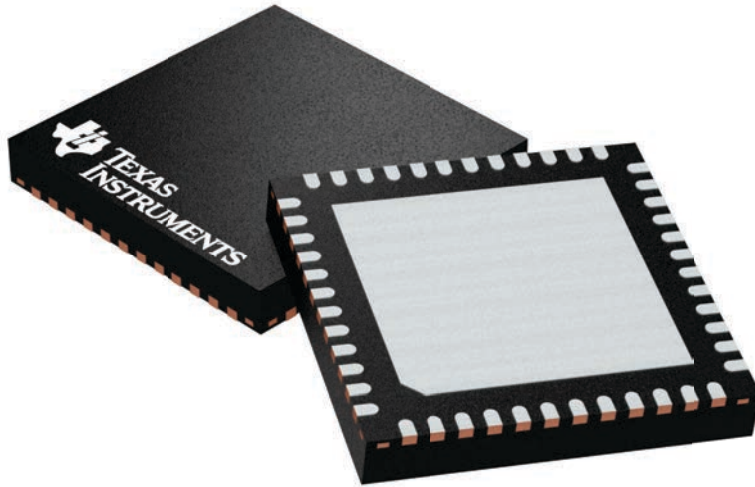
## GENERIC PACKAGE VIEW

**RGZ 48**

**VQFN - 1 mm max height**

7 x 7, 0.5 mm pitch

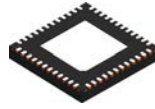
PLASTIC QUADFLAT PACK- NO LEAD



Images above are just a representation of the package family, actual package may vary.  
Refer to the product data sheet for package details.

4224671/A

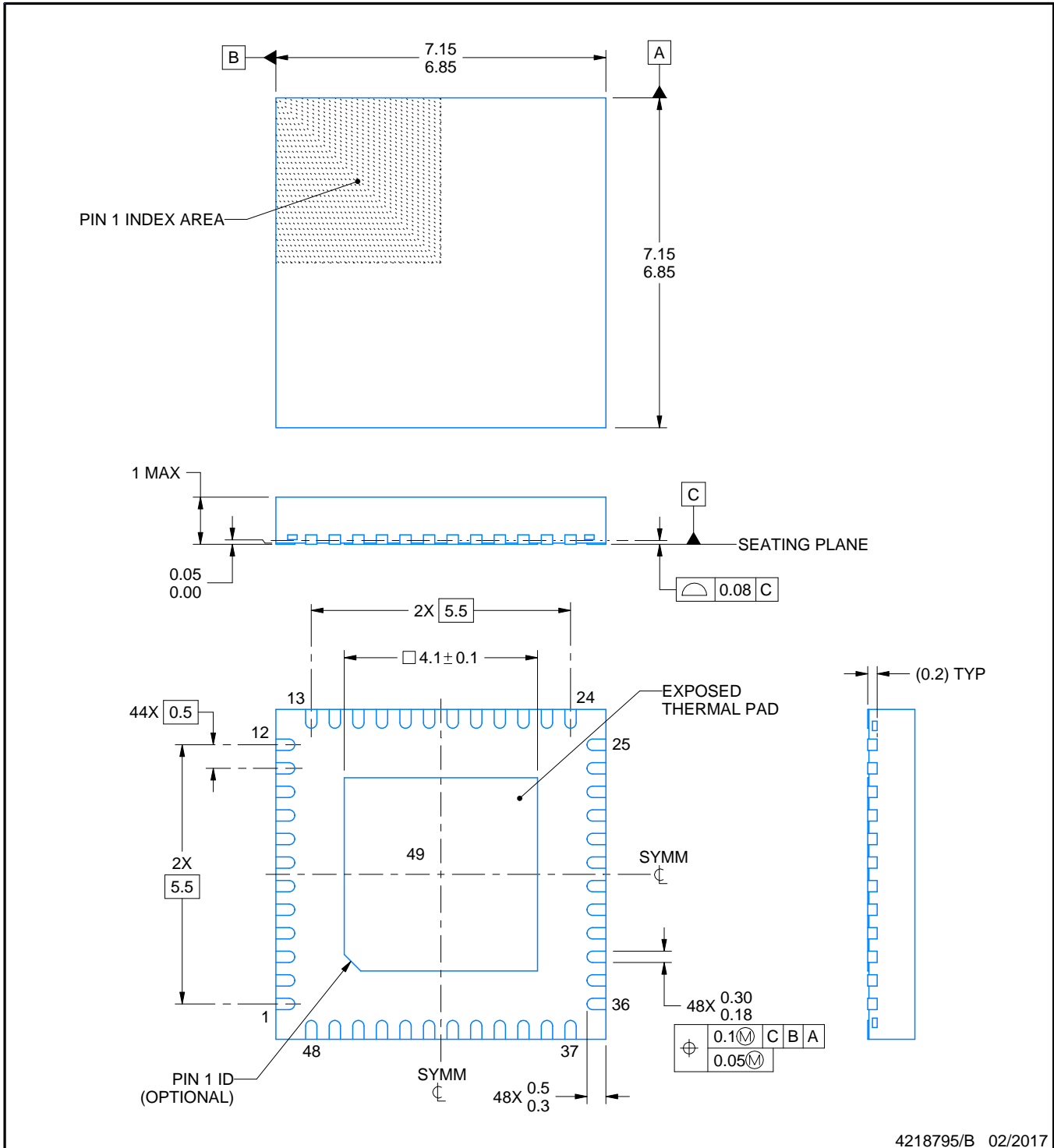
RGZ0048B



PACKAGE OUTLINE

VQFN - 1 mm max height

PLASTIC QUAD FLATPACK - NO LEAD



4218795/B 02/2017

NOTES:

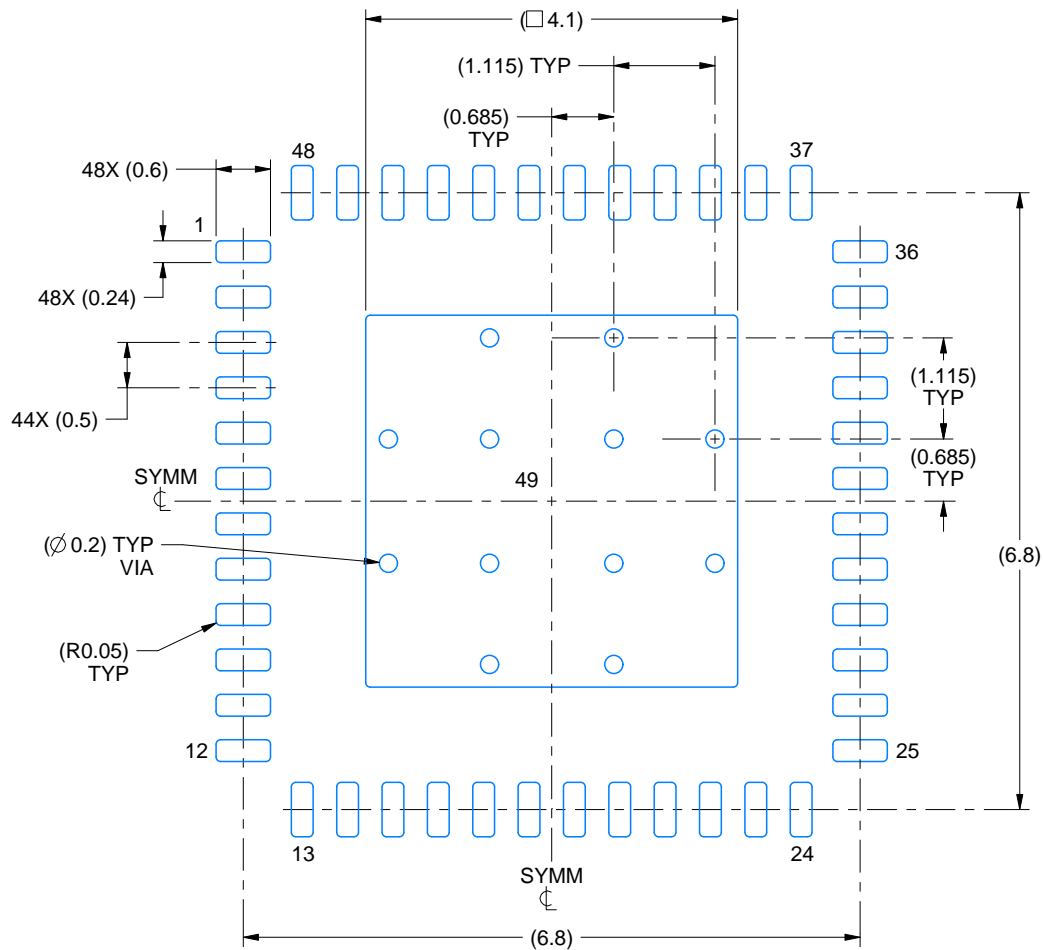
1. All linear dimensions are in millimeters. Any dimensions in parenthesis are for reference only. Dimensioning and tolerancing per ASME Y14.5M.
2. This drawing is subject to change without notice.
3. The package thermal pad must be soldered to the printed circuit board for thermal and mechanical performance.

# EXAMPLE BOARD LAYOUT

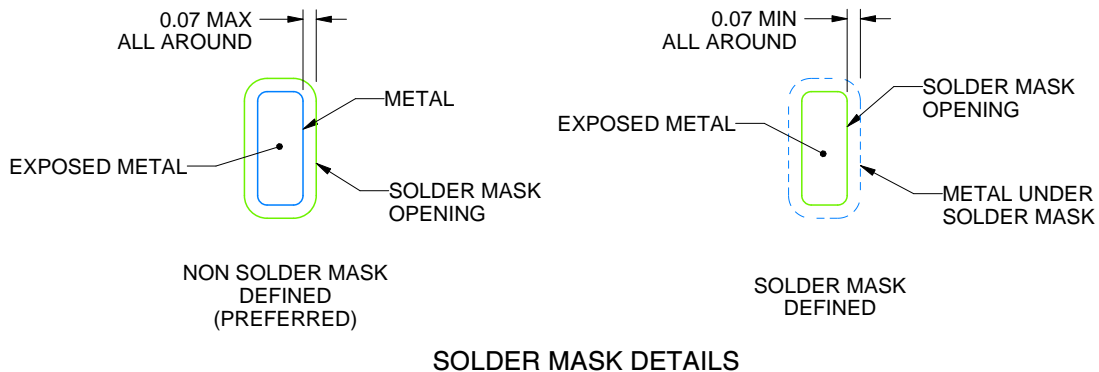
**RGZ0048B**

**VQFN - 1 mm max height**

PLASTIC QUAD FLATPACK - NO LEAD



**LAND PATTERN EXAMPLE**  
EXPOSED METAL SHOWN  
SCALE:12X



**SOLDER MASK DETAILS**

4218795/B 02/2017

NOTES: (continued)

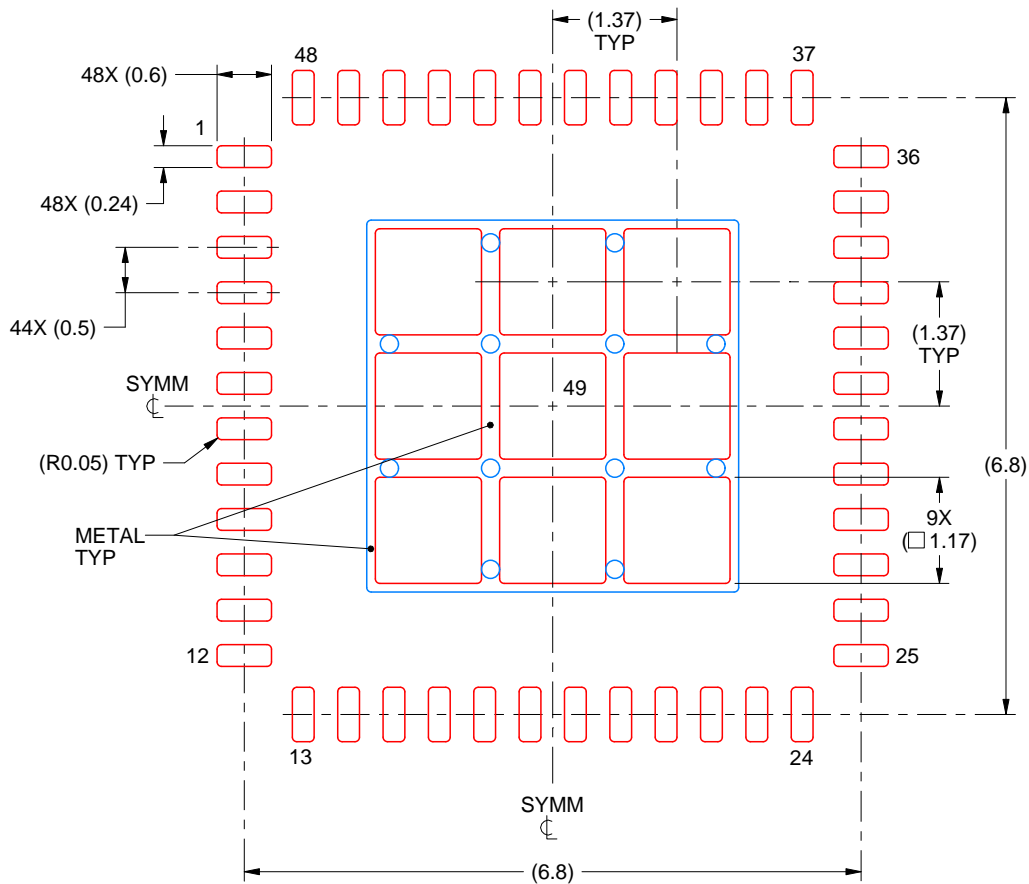
4. This package is designed to be soldered to a thermal pad on the board. For more information, see Texas Instruments literature number SLUA271 ([www.ti.com/lit/sluea271](http://www.ti.com/lit/sluea271)).
5. Vias are optional depending on application, refer to device data sheet. If any vias are implemented, refer to their locations shown on this view. It is recommended that vias under paste be filled, plugged or tented.

# EXAMPLE STENCIL DESIGN

RGZ0048B

VQFN - 1 mm max height

PLASTIC QUAD FLATPACK - NO LEAD



**SOLDER PASTE EXAMPLE**  
 BASED ON 0.125 mm THICK STENCIL

EXPOSED PAD 49  
 73% PRINTED SOLDER COVERAGE BY AREA UNDER PACKAGE  
 SCALE:12X

4218795/B 02/2017

NOTES: (continued)

6. Laser cutting apertures with trapezoidal walls and rounded corners may offer better paste release. IPC-7525 may have alternate design recommendations.

## IMPORTANT NOTICE AND DISCLAIMER

TI PROVIDES TECHNICAL AND RELIABILITY DATA (INCLUDING DATASHEETS), DESIGN RESOURCES (INCLUDING REFERENCE DESIGNS), APPLICATION OR OTHER DESIGN ADVICE, WEB TOOLS, SAFETY INFORMATION, AND OTHER RESOURCES "AS IS" AND WITH ALL FAULTS, AND DISCLAIMS ALL WARRANTIES, EXPRESS AND IMPLIED, INCLUDING WITHOUT LIMITATION ANY IMPLIED WARRANTIES OF MERCHANTABILITY, FITNESS FOR A PARTICULAR PURPOSE OR NON-INFRINGEMENT OF THIRD PARTY INTELLECTUAL PROPERTY RIGHTS.

These resources are intended for skilled developers designing with TI products. You are solely responsible for (1) selecting the appropriate TI products for your application, (2) designing, validating and testing your application, and (3) ensuring your application meets applicable standards, and any other safety, security, or other requirements. These resources are subject to change without notice. TI grants you permission to use these resources only for development of an application that uses the TI products described in the resource. Other reproduction and display of these resources is prohibited. No license is granted to any other TI intellectual property right or to any third party intellectual property right. TI disclaims responsibility for, and you will fully indemnify TI and its representatives against, any claims, damages, costs, losses, and liabilities arising out of your use of these resources.

TI's products are provided subject to TI's Terms of Sale ([www.ti.com/legal/termsofsale.html](http://www.ti.com/legal/termsofsale.html)) or other applicable terms available either on [ti.com](http://ti.com) or provided in conjunction with such TI products. TI's provision of these resources does not expand or otherwise alter TI's applicable warranties or warranty disclaimers for TI products.

Mailing Address: Texas Instruments, Post Office Box 655303, Dallas, Texas 75265  
Copyright © 2019, Texas Instruments Incorporated

## Looking for pricing, stock, or lifecycle information?

Click below to explore more details on WIN SOURCE:

 [View CDCL1810ARGZT on WIN SOURCE](#)

 [Texas Instruments](#) Information

## Optimize Your Supply Chain with WIN SOURCE Solutions

-  Global Sourcing Solution
-  Obsolete Management
-  Cost Control Management
-  Shortage Management
-  Alternative Solution
-  Excess Inventory Management