



# CAT5114

## 32-tap Digital Potentiometer (POT)

### Description

The CAT5114 is a single digital POT designed as an electronic replacement for mechanical potentiometers and trim pots. Ideal for automated adjustments on high volume production lines, they are also well suited for applications where equipment requiring periodic adjustment is either difficult to access or located in a hazardous or remote environment.

The CAT5114 contains a 32-tap series resistor array connected between two terminals  $R_H$  and  $R_L$ . An up/down counter and decoder that are controlled by three input pins, determines which tap is connected to the wiper,  $R_W$ . The wiper setting, stored in nonvolatile memory, is not lost when the device is powered down and is automatically reinstated when power is returned. The wiper can be adjusted to test new system values without affecting the stored setting. Wiper-control of the CAT5114 is accomplished with three input control pins,  $\overline{CS}$ ,  $U/\overline{D}$ , and  $\overline{INC}$ . The  $\overline{INC}$  input increments the wiper in the direction which is determined by the logic state of the  $U/\overline{D}$  input. The  $\overline{CS}$  input is used to select the device and also store the wiper position prior to power down.

The digital POT can be used as a three-terminal resistive divider or as a two-terminal variable resistor. Digital POTs bring variability and programmability to a wide variety of applications including control, parameter adjustments, and signal processing.

### Features

- 32-position Linear Taper Potentiometer
- Non-volatile EEPROM Wiper Storage
- Low Standby Current
- Single Supply Operation: 2.5 V – 6.0 V
- Increment Up/Down Serial Interface
- Resistance Values: 10 k $\Omega$ , 50 k $\Omega$  and 100 k $\Omega$
- Available in PDIP, SOIC, TSSOP, MSOP and Space Saving 2 x 3 mm TDFN Packages
- These Devices are Pb-Free, Halogen Free/BFR Free and are RoHS Compliant

### Applications

- Automated Product Calibration
- Remote Control Adjustments
- Offset, Gain and Zero Control
- Tamper-proof Calibrations
- Contrast, Brightness and Volume Controls
- Motor Controls and Feedback Systems
- Programmable Analog Functions

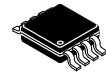


ON Semiconductor®

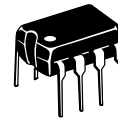
<http://onsemi.com>



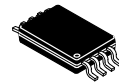
SOIC-8  
V SUFFIX  
CASE 751BD



MSOP-8  
Z SUFFIX  
CASE 846AD



PDIP-8  
L SUFFIX  
CASE 646AA

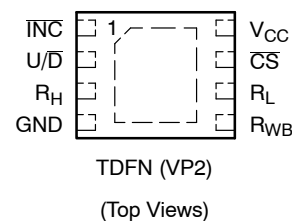
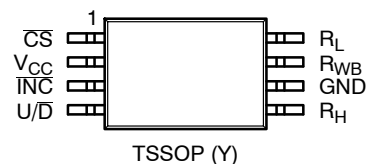
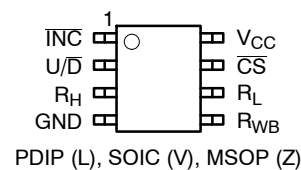


TSSOP-8  
Y SUFFIX  
CASE 948AL



TDFN-8  
VP2 SUFFIX  
CASE 511AK

### PIN CONFIGURATIONS

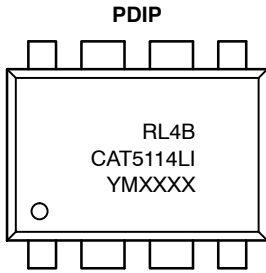


### ORDERING INFORMATION

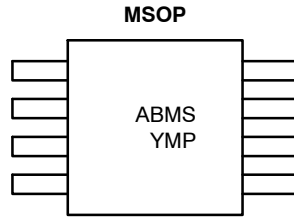
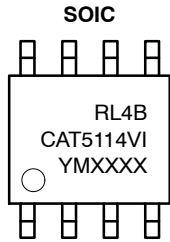
See detailed ordering and shipping information in the package dimensions section on page 9 of this data sheet.

# CAT5114

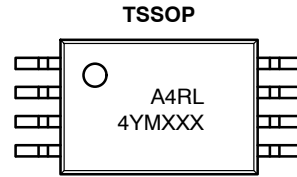
## DEVICE MARKING INFORMATION



R = Resistance:  
 2 = 10 kΩ  
 4 = 50 kΩ  
 5 = 100 kΩ  
 L = Assembly Location  
 4 = Lead Finish – NiPdAu  
 B = Product Revision (Fixed as “B”)  
 CAT5114L = Device Code (PDIP)  
 CAT5114V = Device Code (SOIC)  
 I = Temperature Range (Industrial)  
 Y = Production Year (Last Digit)  
 M = Production Month (1–9, O, N, D)  
 XXXX = Last Four Digits of Assembly Lot Number



ABMS = CAT5114ZI–10–GT3  
 ABMT = CAT5114ZI–50–GT3  
 ABTH = CAT5114ZI–00–GT3  
 Y = Production Year (Last Digit)  
 M = Production Month (1–9, O, N, D)  
 P = Product Revision



A4 = Device Code  
 R = Resistance:  
 2 = 10 kΩ  
 4 = 50 kΩ  
 5 = 100 kΩ  
 L = Assembly Location  
 4 = Lead Finish – NiPdAu  
 Y = Production Year (last digit)  
 M = Production Month (1–9, O, N, D)  
 XXX = Last Three Digits of Assembly Lot Number

### TDFN



EF = CAT5114VP2I10GT3  
 HF = CAT5114VP2I50GT3  
 GW = CAT5114VP2I00GT3  
 L = Assembly Location  
 XXX = Last Three Digits of Assembly Lot Number  
 Y = Production Year (Last Digit)  
 M = Production Month (1–9, O, N, D)

## Functional Diagram

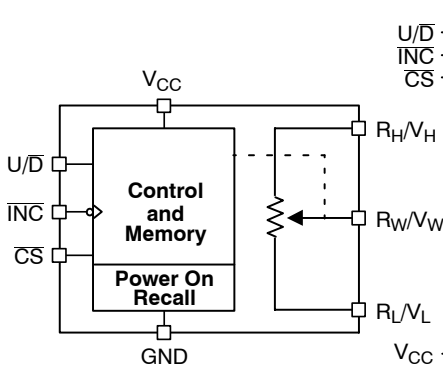


Figure 1. General

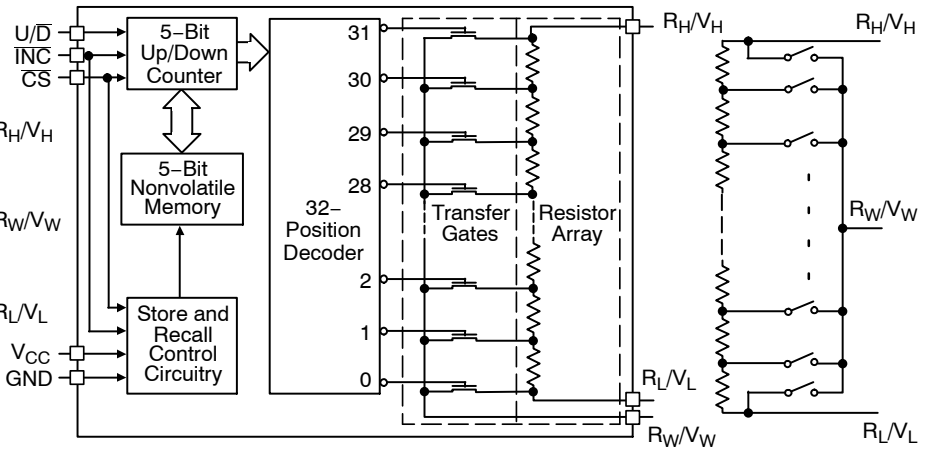


Figure 2. Detailed

Figure 3. Electronic Potentiometer Implementation

# CAT5114

**Table 1. PIN DESCRIPTIONS**

Name	Function
$\overline{\text{INC}}$	Increment Control
$\text{U}/\overline{\text{D}}$	Up/Down Control
$\text{R}_\text{H}$	Potentiometer High Terminal
GND	Ground
$\text{R}_\text{W}$	Wiper Terminal
$\text{R}_\text{L}$	Potentiometer Low Terminal
$\overline{\text{CS}}$	Chip Select
$\text{V}_{\text{CC}}$	Supply Voltage

## Pin Function

### $\overline{\text{INC}}$ : Increment Control Input

The  $\overline{\text{INC}}$  input moves the wiper in the up or down direction determined by the condition of the  $\text{U}/\overline{\text{D}}$  input.

### $\text{U}/\overline{\text{D}}$ : Up/Down Control Input

The  $\text{U}/\overline{\text{D}}$  input controls the direction of the wiper movement. When in a high state and  $\overline{\text{CS}}$  is low, any high-to-low transition on  $\overline{\text{INC}}$  will cause the wiper to move one increment toward the  $\text{R}_\text{H}$  terminal. When in a low state and  $\overline{\text{CS}}$  is low, any high-to-low transition on  $\overline{\text{INC}}$  will cause the wiper to move one increment towards the  $\text{R}_\text{L}$  terminal.

### $\text{R}_\text{H}$ : High End Potentiometer Terminal

$\text{R}_\text{H}$  is the high end terminal of the potentiometer. It is not required that this terminal be connected to a potential greater than the  $\text{R}_\text{L}$  terminal. Voltage applied to the  $\text{R}_\text{H}$  terminal cannot exceed the supply voltage,  $\text{V}_{\text{CC}}$  or go below ground, GND.

### $\text{R}_\text{W}$ : Wiper Potentiometer Terminal

$\text{R}_\text{W}$  is the wiper terminal of the potentiometer. Its position on the resistor array is controlled by the control inputs,  $\overline{\text{INC}}$ ,  $\text{U}/\overline{\text{D}}$  and  $\overline{\text{CS}}$ . Voltage applied to the  $\text{R}_\text{W}$  terminal cannot exceed the supply voltage,  $\text{V}_{\text{CC}}$  or go below ground, GND.

### $\text{R}_\text{L}$ : Low End Potentiometer Terminal

$\text{R}_\text{L}$  is the low end terminal of the potentiometer. It is not required that this terminal be connected to a potential less

than the  $\text{R}_\text{H}$  terminal. Voltage applied to the  $\text{R}_\text{L}$  terminal cannot exceed the supply voltage,  $\text{V}_{\text{CC}}$  or go below ground, GND.  $\text{R}_\text{L}$  and  $\text{R}_\text{H}$  are electrically interchangeable.

### $\overline{\text{CS}}$ : Chip Select

The chip select input is used to activate the control input of the CAT5114 and is active low. When in a high state, activity on the  $\overline{\text{INC}}$  and  $\text{U}/\overline{\text{D}}$  inputs will not affect or change the position of the wiper.

## Device Operation

The CAT5114 operates like a digitally controlled potentiometer with  $\text{R}_\text{H}$  and  $\text{R}_\text{L}$  equivalent to the high and low terminals and  $\text{R}_\text{W}$  equivalent to the mechanical potentiometer's wiper. There are 32 available tap positions including the resistor end points,  $\text{R}_\text{H}$  and  $\text{R}_\text{L}$ . There are 31 resistor elements connected in series between the  $\text{R}_\text{H}$  and  $\text{R}_\text{L}$  terminals. The wiper terminal is connected to one of the 32 taps and controlled by three inputs,  $\overline{\text{INC}}$ ,  $\text{U}/\overline{\text{D}}$  and  $\overline{\text{CS}}$ . These inputs control a seven-bit up/down counter whose output is decoded to select the wiper position. The selected wiper position can be stored in nonvolatile memory using the  $\overline{\text{INC}}$  and  $\overline{\text{CS}}$  inputs.

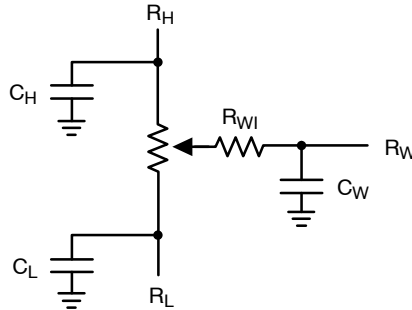
With  $\overline{\text{CS}}$  set LOW the CAT5114 is selected and will respond to the  $\text{U}/\overline{\text{D}}$  and  $\overline{\text{INC}}$  inputs. HIGH to LOW transitions on  $\overline{\text{INC}}$  will increment or decrement the wiper (depending on the state of the  $\text{U}/\overline{\text{D}}$  input and seven-bit counter). The wiper, when at either fixed terminal, acts like its mechanical equivalent and does not move beyond the last position. The value of the counter is stored in nonvolatile memory whenever  $\overline{\text{CS}}$  transitions HIGH while the  $\overline{\text{INC}}$  input is also HIGH. When the CAT5114 is powered-down, the last stored wiper counter position is maintained in the nonvolatile memory. When power is restored, the contents of the memory are recalled and the counter is set to the value stored.

With  $\overline{\text{INC}}$  set low, the CAT5114 may be de-selected and powered down without storing the current wiper position in nonvolatile memory. This allows the system to always power up to a preset value stored in nonvolatile memory.

# CAT5114

**Table 2. OPERATION MODES**

INC	CS	U/D	Operation
High to Low	Low	High	Wiper toward H
High to Low	Low	Low	Wiper toward L
High	Low to High	X	Store Wiper Position
Low	Low to High	X	No Store, Return to Standby
X	High	X	Standby



**Figure 4. Potentiometer Equivalent Circuit**

**Table 3. ABSOLUTE MAXIMUM RATINGS**

Parameters	Ratings	Units
Supply Voltage $V_{CC}$ to GND	-0.5 to +7	V
Inputs CS to GND	-0.5 to $V_{CC} + 0.5$	V
$\overline{INC}$ to GND	-0.5 to $V_{CC} + 0.5$	V
U/D to GND	-0.5 to $V_{CC} + 0.5$	V
H to GND	-0.5 to $V_{CC} + 0.5$	V
L to GND	-0.5 to $V_{CC} + 0.5$	V
W to GND	-0.5 to $V_{CC} + 0.5$	V
Operating Ambient Temperature Industrial ('I' suffix)	-40 to +85	°C
Junction Temperature	+150	°C
Storage Temperature	-65 to 150	°C
Lead Soldering (10 s max)	+300	°C

Stresses exceeding Maximum Ratings may damage the device. Maximum Ratings are stress ratings only. Functional operation above the Recommended Operating Conditions is not implied. Extended exposure to stresses above the Recommended Operating Conditions may affect device reliability.

**Table 4. RELIABILITY CHARACTERISTICS**

Symbol	Parameter	Test Method	Min	Typ	Max	Units
$V_{ZAP}$ (Note 1)	ESD Susceptibility	MIL-STD-883, Test Method 3015	2000			V
$I_{LTH}$ (Notes 1, 2)	Latch-up	JEDEC Standard 17	100			mA
$T_{DR}$	Data Retention	MIL-STD-883, Test Method 1008	100			Years
$N_{END}$	Endurance	MIL-STD-883, Test Method 1003	1,000,000			Stores

1. This parameter is tested initially and after a design or process change that affects the parameter.
2. Latch-up protection is provided for stresses up to 100 mA on address and data pins from -1 V to  $V_{CC} + 1$  V.

# CAT5114

**Table 5. DC ELECTRICAL CHARACTERISTICS** ( $V_{CC} = +2.5\text{ V}$  to  $+6\text{ V}$  unless otherwise specified)

Symbol	Parameter	Conditions	Min	Typ	Max	Units
<b>POWER SUPPLY</b>						
$V_{CC}$	Operating Voltage Range		2.5	–	6.0	V
$I_{CC1}$	Supply Current (Increment)	$V_{CC} = 6\text{ V}$ , $f = 1\text{ MHz}$ , $I_W = 0$	–	–	100	$\mu\text{A}$
		$V_{CC} = 6\text{ V}$ , $f = 250\text{ kHz}$ , $I_W = 0$	–	–	50	$\mu\text{A}$
$I_{CC2}$	Supply Current (Write)	Programming, $V_{CC} = 6\text{ V}$	–	–	1000	$\mu\text{A}$
		$V_{CC} = 3\text{ V}$	–	–	500	$\mu\text{A}$
$I_{SB1}$ (Note 4)	Supply Current (Standby)	$\overline{CS} = V_{CC} - 0.3\text{ V}$ $U/\overline{D}$ , $\overline{INC} = V_{CC} - 0.3\text{ V}$ or GND	–	–	1	$\mu\text{A}$
<b>LOGIC INPUTS</b>						
$I_{IH}$	Input Leakage Current	$V_{IN} = V_{CC}$	–	–	10	$\mu\text{A}$
$I_{IL}$	Input Leakage Current	$V_{IN} = 0\text{ V}$	–	–	–10	$\mu\text{A}$
$V_{IH2}$	CMOS High Level Input Voltage	$2.5\text{ V} \leq V_{CC} \leq 6\text{ V}$	$V_{CC} \times 0.7$	–	$V_{CC} + 0.3$	V
$V_{IL2}$	CMOS Low Level Input Voltage		–0.3	–	$V_{CC} \times 0.2$	V
<b>POTENTIOMETER CHARACTERISTICS</b>						
$R_{POT}$	Potentiometer Resistance	–10 Device		10		k $\Omega$
		–50 Device		50		
		–00 Device		100		
	Pot. Resistance Tolerance				$\pm 20$	%
$V_{RH}$	Voltage on $R_H$ pin		0		$V_{CC}$	V
$V_{RL}$	Voltage on $R_L$ pin		0		$V_{CC}$	V
	Resolution			3.2		%
INL	Integral Linearity Error	$I_W \leq 2\ \mu\text{A}$		0.5	1	LSB
DNL	Differential Linearity Error	$I_W \leq 2\ \mu\text{A}$		0.25	0.5	LSB
$R_{WI}$	Wiper Resistance	$V_{CC} = 5\text{ V}$ , $I_W = 1\text{ mA}$		70	200	$\Omega$
		$V_{CC} = 2.5\text{ V}$ , $I_W = 1\text{ mA}$		150	400	$\Omega$
$I_W$	Wiper Current		–4.4		4.4	mA
$TC_{RPOT}$	TC of Pot Resistance			300		ppm/ $^{\circ}\text{C}$
$TC_{RATIO}$	Ratiometric TC				20	ppm/ $^{\circ}\text{C}$
$V_N$	Noise	100 kHz / 1 kHz		8/24		nV/ $\sqrt{\text{Hz}}$
$C_H/C_L/C_W$	Potentiometer Capacitances			8/8/25		pF
fc	Frequency Response	Passive Attenuator, 10 k $\Omega$		1.7		MHz

3. This parameter is tested initially and after a design or process change that affects the parameter.

4. Latch-up protection is provided for stresses up to 100 mA on address and data pins from  $-1\text{ V}$  to  $V_{CC} + 1\text{ V}$ .

5.  $I_W$  = source or sink.

6. These parameters are periodically sampled and are not 100% tested.

**Table 6. AC TEST CONDITIONS**

V <sub>CC</sub> Range	2.5 V ≤ V <sub>CC</sub> ≤ 6 V
Input Pulse Levels	0.2 × V <sub>CC</sub> to 0.7 × V <sub>CC</sub>
Input Rise and Fall Times	10 ns
Input Reference Levels	0.5 × V <sub>CC</sub>

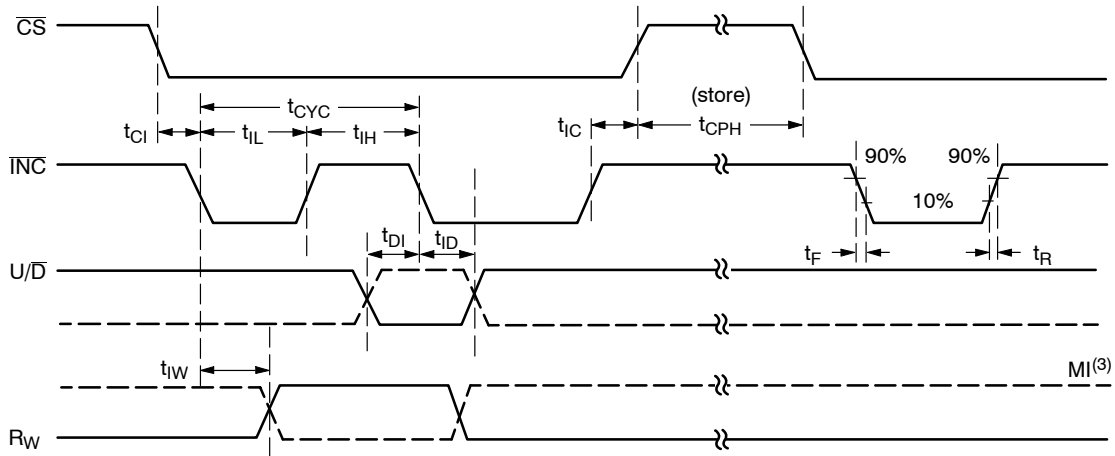
**Table 7. AC OPERATING CHARACTERISTICS** (V<sub>CC</sub> = +2.5 V to +6.0 V, V<sub>H</sub> = V<sub>CC</sub>, V<sub>L</sub> = 0 V, unless otherwise specified)

Symbol	Parameter	Min	Typ (Note 7)	Max	Units
t <sub>CI</sub>	CS to INC Setup	100	–	–	ns
t <sub>DI</sub>	U/D to INC Setup	50	–	–	ns
t <sub>ID</sub>	U/D to INC Hold	100	–	–	ns
t <sub>IL</sub>	INC LOW Period	250	–	–	ns
t <sub>IH</sub>	INC HIGH Period	250	–	–	ns
t <sub>IC</sub>	INC Inactive to CS Inactive	1	–	–	μs
t <sub>CPH</sub>	CS Deselect Time (NO STORE)	100	–	–	ns
t <sub>CPH</sub>	CS Deselect Time (STORE)	10	–	–	ms
t <sub>IW</sub>	INC to V <sub>OUT</sub> Change	–	1	5	μs
t <sub>CYC</sub>	INC Cycle Time	1	–	–	μs
t <sub>R</sub> , t <sub>F</sub> (Note 8)	INC Input Rise and Fall Time	–	–	500	μs
t <sub>PU</sub> (Note 8)	Power-up to Wiper Stable	–	–	1	ms
t <sub>WR</sub>	Store Cycle	–	5	10	ms

7. Typical values are for T<sub>A</sub> = 25°C and nominal supply voltage.

8. This parameter is periodically sampled and not 100% tested.

9. MI in the A.C. Timing diagram refers to the minimum incremental change in the W output due to a change in the wiper position.



**Figure 5. A.C. Timing**

# CAT5114

## APPLICATIONS INFORMATION

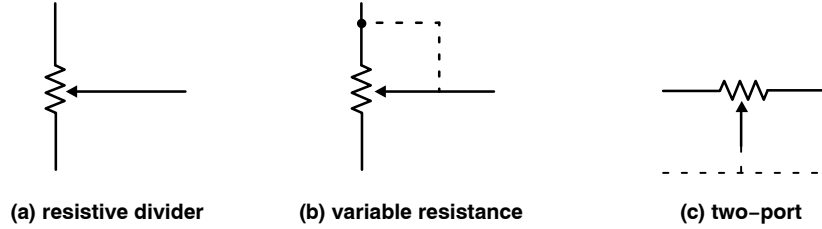


Figure 6. Potentiometer Configuration

### Applications

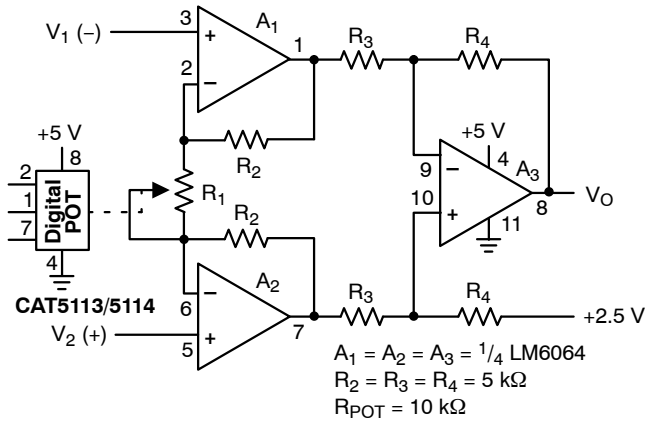


Figure 7. Programmable Instrumentation Amplifier

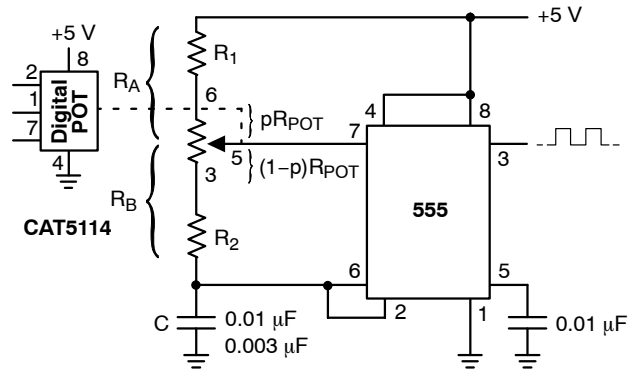


Figure 8. Programmable Sq. Wave Oscillator (555)

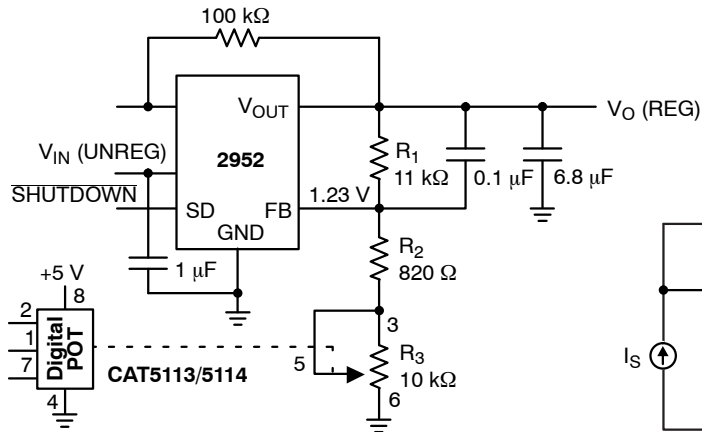


Figure 9. Programmable Voltage Regulator

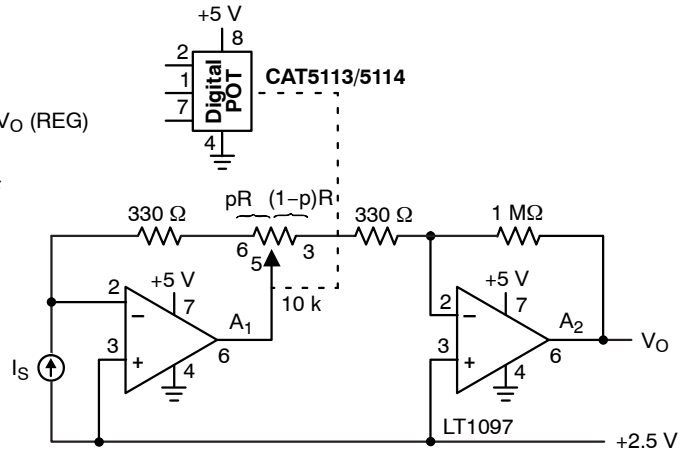


Figure 10. Programmable I to V Converter

## CAT5114

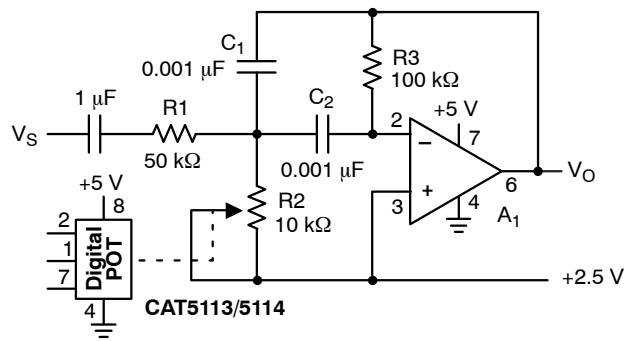


Figure 11. Programmable Bandpass Filter

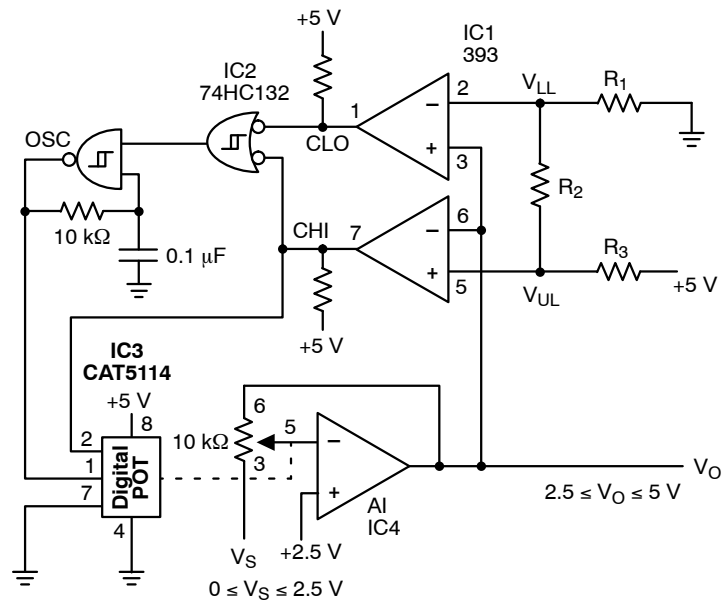


Figure 12. Automatic Gain Control

# CAT5114

**Table 8. ORDERING INFORMATION**

Orderable Part Numbers	Resistance Values (kΩ)	Package–Pin	Lead Finish	Shipping†
CAT5114LI–10–G	10	PDIP–8	NiPdAu	50 Units / Rail
CAT5114LI–50–G	50			
CAT5114LI–00–G	100			
CAT5114VI–10–GT3	10	SOIC–8	NiPdAu	100 Units / Rail
CAT5114VI–50–GT3	50			
CAT5114VI–00–GT3	100			
CAT5114VP2I10GT3 (Notes 10, 11)	10	TDFN–8 2 x 3 mm	NiPdAu	3000 / Tape & Reel
CAT5114VP2I50GT3 (Notes 10, 11)	50			
CAT5114VP2I00GT3 (Notes 10, 11)	100			
CAT5114YI–10–GT3	10	TSSOP–8	NiPdAu	3000 / Tape & Reel
CAT5114YI–50–GT3	50			
CAT5114YI–00–GT3	100			
CAT5114ZI–10–GT3	10	MSOP–8	NiPdAu	96 Units / Rail
CAT5114ZI–50–GT3	50			
CAT5114ZI–00–GT3	100			

†For information on tape and reel specifications, including part orientation and tape sizes, please refer to our Tape and Reel Packaging Specifications Brochure, BRD8011/D.

10. Contact factory for package availability.

11. Part number is not exactly the same as the “Example of Ordering Information” shown above. For the indicated part numbers there are NO hyphens in the orderable part numbers.

12. All packages are RoHS-compliant (Pb-Free, Halogen-Free).

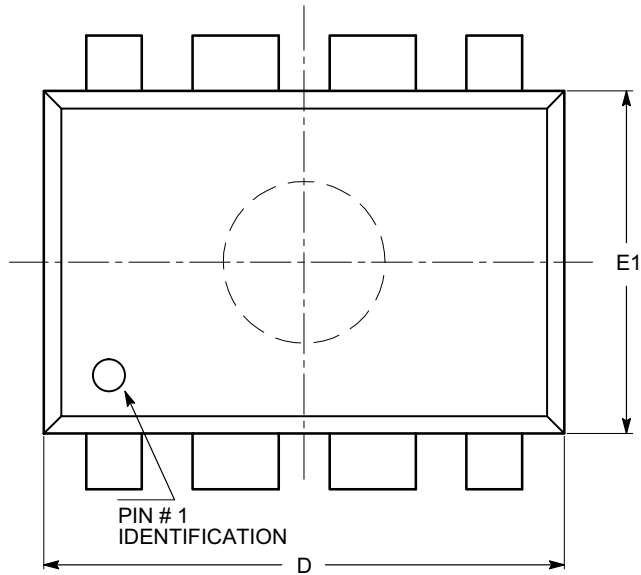
13. The standard lead finish is NiPdAu.

14. For additional package and temperature options, please contact your nearest ON Semiconductor Sales office.

# CAT5114

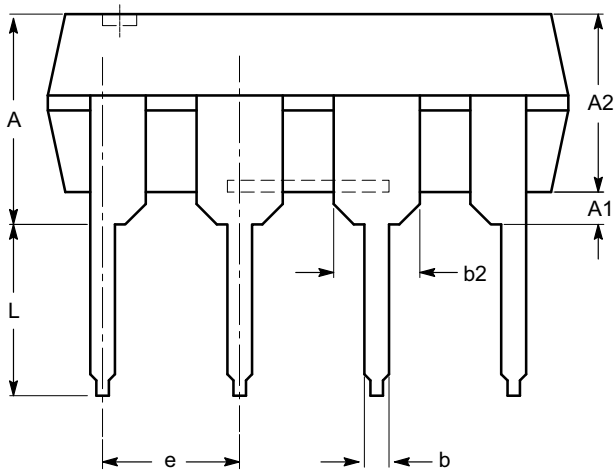
## PACKAGE DIMENSIONS

PDIP-8, 300 mils  
CASE 646AA  
ISSUE A

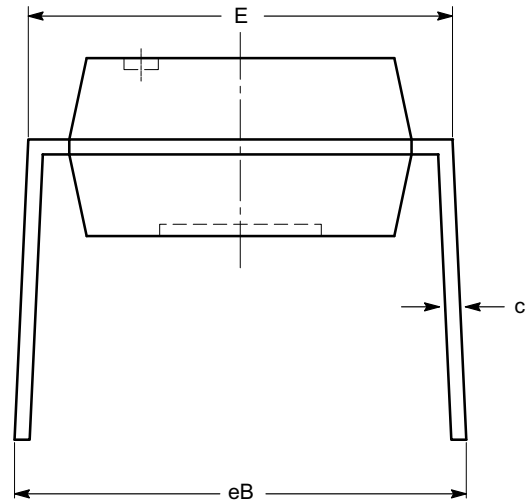


SYMBOL	MIN	NOM	MAX
A			5.33
A1	0.38		
A2	2.92	3.30	4.95
b	0.36	0.46	0.56
b2	1.14	1.52	1.78
c	0.20	0.25	0.36
D	9.02	9.27	10.16
E	7.62	7.87	8.25
E1	6.10	6.35	7.11
e	2.54 BSC		
eB	7.87		10.92
L	2.92	3.30	3.80

TOP VIEW



SIDE VIEW



END VIEW

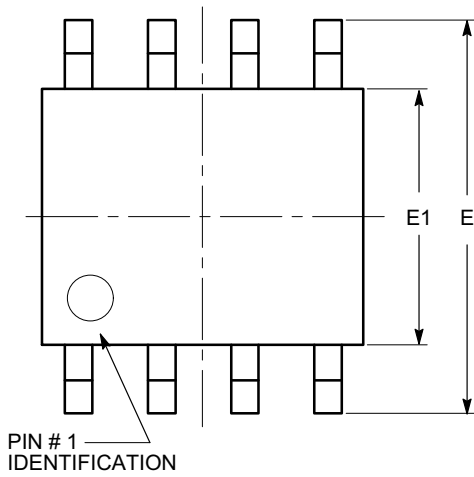
**Notes:**

- (1) All dimensions are in millimeters.
- (2) Complies with JEDEC MS-001.

# CAT5114

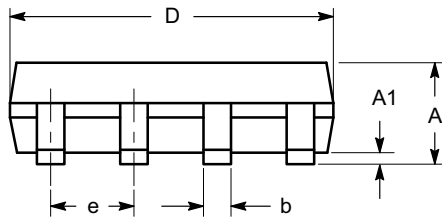
## PACKAGE DIMENSIONS

SOIC 8, 150 mils  
CASE 751BD  
ISSUE O

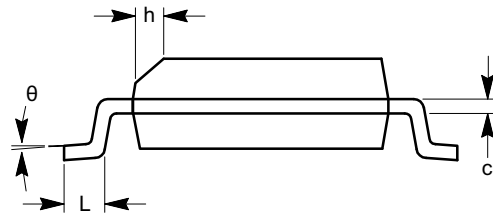


TOP VIEW

SYMBOL	MIN	NOM	MAX
A	1.35		1.75
A1	0.10		0.25
b	0.33		0.51
c	0.19		0.25
D	4.80		5.00
E	5.80		6.20
E1	3.80		4.00
e	1.27 BSC		
h	0.25		0.50
L	0.40		1.27
$\theta$	0°		8°



SIDE VIEW



END VIEW

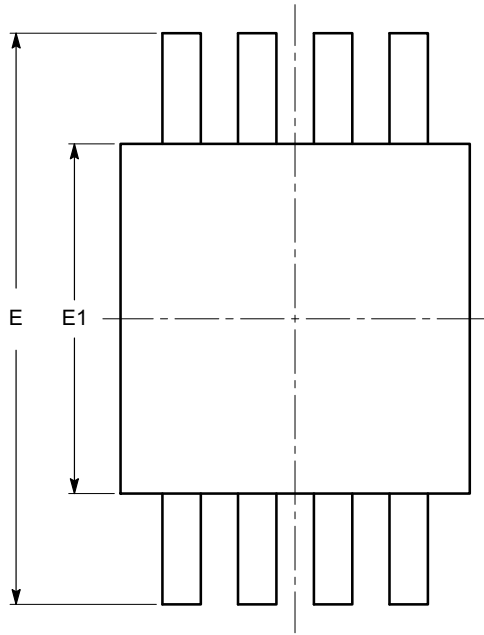
**Notes:**

- (1) All dimensions are in millimeters. Angles in degrees.
- (2) Complies with JEDEC MS-012.

# CAT5114

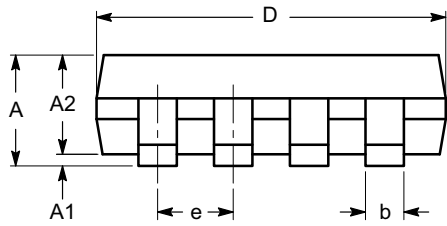
## PACKAGE DIMENSIONS

MSOP 8, 3x3  
CASE 846AD  
ISSUE O

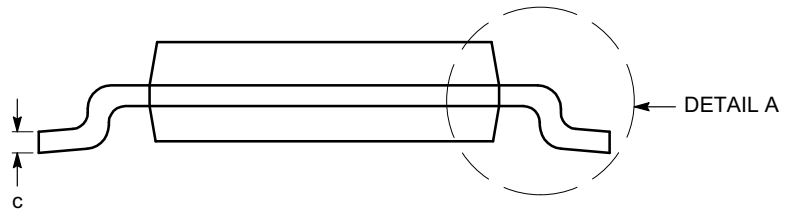


TOP VIEW

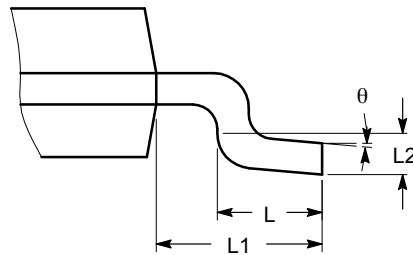
SYMBOL	MIN	NOM	MAX
A			1.10
A1	0.05	0.10	0.15
A2	0.75	0.85	0.95
b	0.22		0.38
c	0.13		0.23
D	2.90	3.00	3.10
E	4.80	4.90	5.00
E1	2.90	3.00	3.10
e	0.65 BSC		
L	0.40	0.60	0.80
L1	0.95 REF		
L2	0.25 BSC		
$\theta$	0°		6°



SIDE VIEW



END VIEW



DETAIL A

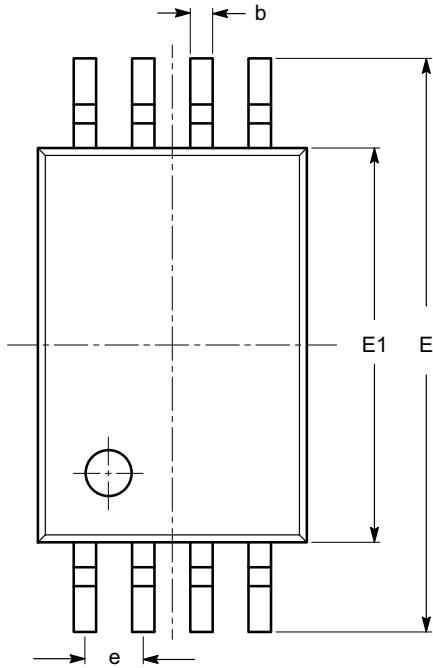
**Notes:**

- (1) All dimensions are in millimeters. Angles in degrees.
- (2) Complies with JEDEC MO-187.

# CAT5114

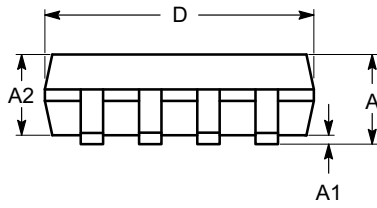
## PACKAGE DIMENSIONS

TSSOP8, 4.4x3  
CASE 948AL  
ISSUE O

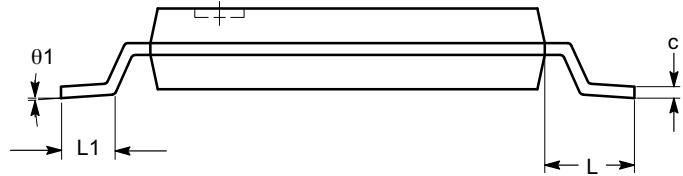


SYMBOL	MIN	NOM	MAX
A			1.20
A1	0.05		0.15
A2	0.80	0.90	1.05
b	0.19		0.30
c	0.09		0.20
D	2.90	3.00	3.10
E	6.30	6.40	6.50
E1	4.30	4.40	4.50
e	0.65 BSC		
L	1.00 REF		
L1	0.50	0.60	0.75
$\theta$	0°		8°

TOP VIEW



SIDE VIEW



END VIEW

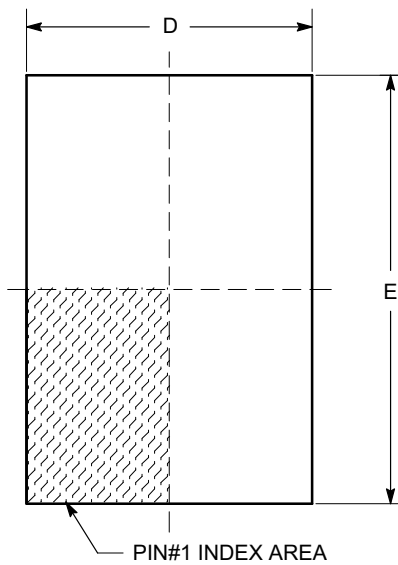
**Notes:**

- (1) All dimensions are in millimeters. Angles in degrees.
- (2) Complies with JEDEC MO-153.

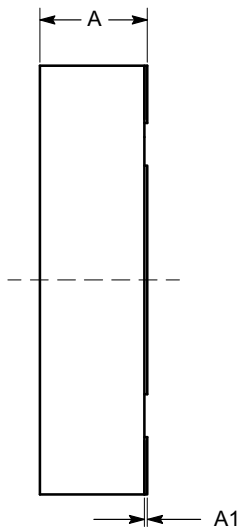
# CAT5114

## PACKAGE DIMENSIONS

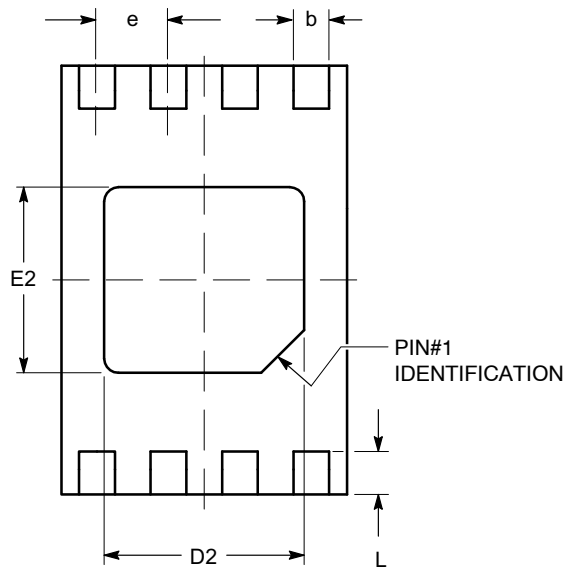
TDFN8, 2x3  
CASE 511AK  
ISSUE A



TOP VIEW

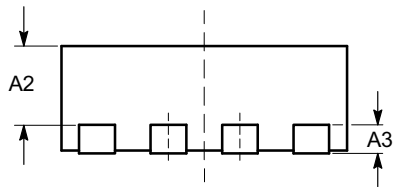


SIDE VIEW



BOTTOM VIEW


SYMBOL	MIN	NOM	MAX
A	0.70	0.75	0.80
A1	0.00	0.02	0.05
A2	0.45	0.55	0.65
A3	0.20 REF		
b	0.20	0.25	0.30
D	1.90	2.00	2.10
D2	1.30	1.40	1.50
E	2.90	3.00	3.10
E2	1.20	1.30	1.40
e	0.50 TYP		
L	0.20	0.30	0.40



FRONT VIEW

**Notes:**

- (1) All dimensions are in millimeters.
- (2) Complies with JEDEC MO-229.

**ON Semiconductor** and  are registered trademarks of Semiconductor Components Industries, LLC (SCILLC). SCILLC owns the rights to a number of patents, trademarks, copyrights, trade secrets, and other intellectual property. A listing of SCILLC's product/patent coverage may be accessed at [www.onsemi.com/site/pdf/Patent-Marking.pdf](http://www.onsemi.com/site/pdf/Patent-Marking.pdf). SCILLC reserves the right to make changes without further notice to any products herein. SCILLC makes no warranty, representation or guarantee regarding the suitability of its products for any particular purpose, nor does SCILLC assume any liability arising out of the application or use of any product or circuit, and specifically disclaims any and all liability, including without limitation special, consequential or incidental damages. "Typical" parameters which may be provided in SCILLC data sheets and/or specifications can and do vary in different applications and actual performance may vary over time. All operating parameters, including "Typicals" must be validated for each customer application by customer's technical experts. SCILLC does not convey any license under its patent rights nor the rights of others. SCILLC products are not designed, intended, or authorized for use as components in systems intended for surgical implant into the body, or other applications intended to support or sustain life, or for any other application in which the failure of the SCILLC product could create a situation where personal injury or death may occur. Should Buyer purchase or use SCILLC products for any such unintended or unauthorized application, Buyer shall indemnify and hold SCILLC and its officers, employees, subsidiaries, affiliates, and distributors harmless against all claims, costs, damages, and expenses, and reasonable attorney fees arising out of, directly or indirectly, any claim of personal injury or death associated with such unintended or unauthorized use, even if such claim alleges that SCILLC was negligent regarding the design or manufacture of the part. SCILLC is an Equal Opportunity/Affirmative Action Employer. This literature is subject to all applicable copyright laws and is not for resale in any manner.

## PUBLICATION ORDERING INFORMATION

### LITERATURE FULFILLMENT:



Literature Distribution Center for ON Semiconductor  
P.O. Box 5163, Denver, Colorado 80217 USA  
**Phone:** 303-675-2175 or 800-344-3860 Toll Free USA/Canada  
**Fax:** 303-675-2176 or 800-344-3867 Toll Free USA/Canada  
**Email:** [orderlit@onsemi.com](mailto:orderlit@onsemi.com)

**N. American Technical Support:** 800-282-9855 Toll Free  
USA/Canada  
**Europe, Middle East and Africa Technical Support:**  
Phone: 421 33 790 2910  
**Japan Customer Focus Center**  
Phone: 81-3-5817-1050

**ON Semiconductor Website:** [www.onsemi.com](http://www.onsemi.com)  
**Order Literature:** <http://www.onsemi.com/orderlit>  
For additional information, please contact your local  
Sales Representative

## Looking for pricing, stock, or lifecycle information?

Click below to explore more details on WIN SOURCE:

-  [View CAT5114ZI-10-GT3 on WIN SOURCE](#)
-  [ON Semiconductor](#) Information

## Optimize Your Supply Chain with WIN SOURCE Solutions

-  Global Sourcing Solution
-  Obsolete Management
-  Cost Control Management
-  Shortage Management
-  Alternative Solution
-  Excess Inventory Management