

8P1P YYY 2 1 0 YR B 01

SERIES 14.00 [0.551]
 # OF POSITIONS (Ex. 002)
 SEE CHART A
 2 = FEMALE
 VERTICAL (PANEL MOUNT)
 PLASTIC SHELL
 1 = GOLD FLASH
 RoHS COMPLIANT
 NUT "B" COLOR
 G = GREY
 A = BLUE
 J = YELLOW
 N = BLACK
 R = RED
 V = GREEN

CHARACTERISTICS

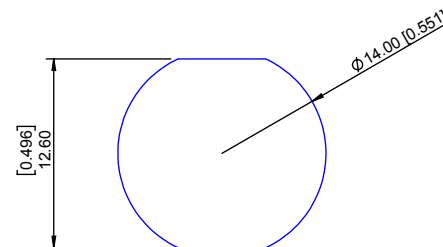
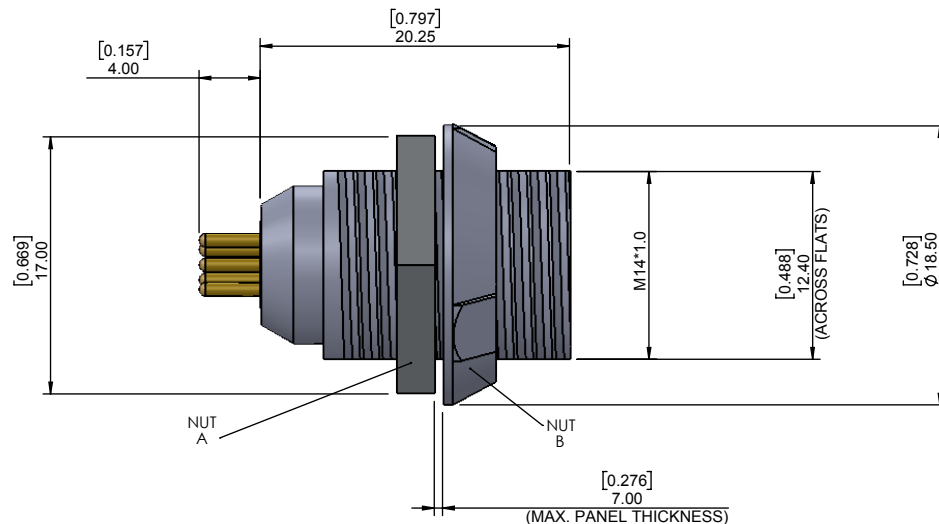
MATERIALS

HOUSING : ABS+PC
 HOUSING COLOR : GREY
 NUT A : BRASS
 NUT A PLATING : NICKEL
 CONTACTS : COPPER ALLOY
 CONTACT PLATING : 7µ" GOLD PLATED OVER 196µ" NICKEL MIN.
 INSULATOR : PPS (HIGH TEMPERATURE)

MECHANICAL

DURABILITY: 2000 CYCLES
 OPERATING TEMP. RANGE: -20° C ~ +120° C
 PROCESS TEMPERATURE : 260°C FOR 5 SECONDS
 MAX. TORQUE VALUE : 0.7 Nm [6.19 IN/lbs]

IP RATING: 50



PANEL CUTOUT

TOLERANCE = +0.10, -0.0
 [+0.004, -0.00]

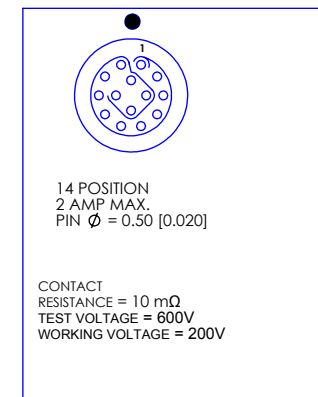


CHART A

● = KEY LOCATION

2 POSITION 10 AMP MAX. PIN Ø = 1.30 [0.051]	3 POSITION 10 AMP MAX. PIN Ø = 1.30 [0.051]	4 POSITION 8 AMP MAX. PIN Ø = 0.90 [0.035]	5 POSITION 7 AMP MAX. PIN Ø = 0.90 [0.035]	6 POSITION 6 AMP MAX. PIN Ø = 0.70 [0.028]	7 POSITION 5 AMP MAX. PIN Ø = 0.70 [0.028]	8 POSITION 5 AMP MAX. PIN Ø = 0.70 [0.028]	9 POSITION 3 AMP MAX. PIN Ø = 0.50 [0.020]	10 POSITION 3 AMP MAX. PIN Ø = 0.50 [0.020]
CONTACT RESISTANCE = 5 mΩ TEST VOLTAGE = 1200V WORKING VOLTAGE = 400V	CONTACT RESISTANCE = 5 mΩ TEST VOLTAGE = 1200V WORKING VOLTAGE = 400V	CONTACT RESISTANCE = 6 mΩ TEST VOLTAGE = 1200V WORKING VOLTAGE = 400V	CONTACT RESISTANCE = 6 mΩ TEST VOLTAGE = 1050V WORKING VOLTAGE = 350V	CONTACT RESISTANCE = 7.5 mΩ TEST VOLTAGE = 1050V WORKING VOLTAGE = 350V	CONTACT RESISTANCE = 7.5 mΩ TEST VOLTAGE = 1050V WORKING VOLTAGE = 350V	CONTACT RESISTANCE = 7.5 mΩ TEST VOLTAGE = 1050V WORKING VOLTAGE = 350V	CONTACT RESISTANCE = 10 mΩ TEST VOLTAGE = 850V WORKING VOLTAGE = 280V	CONTACT RESISTANCE = 10 mΩ TEST VOLTAGE = 850V WORKING VOLTAGE = 280V

RoHS COMPLIANT



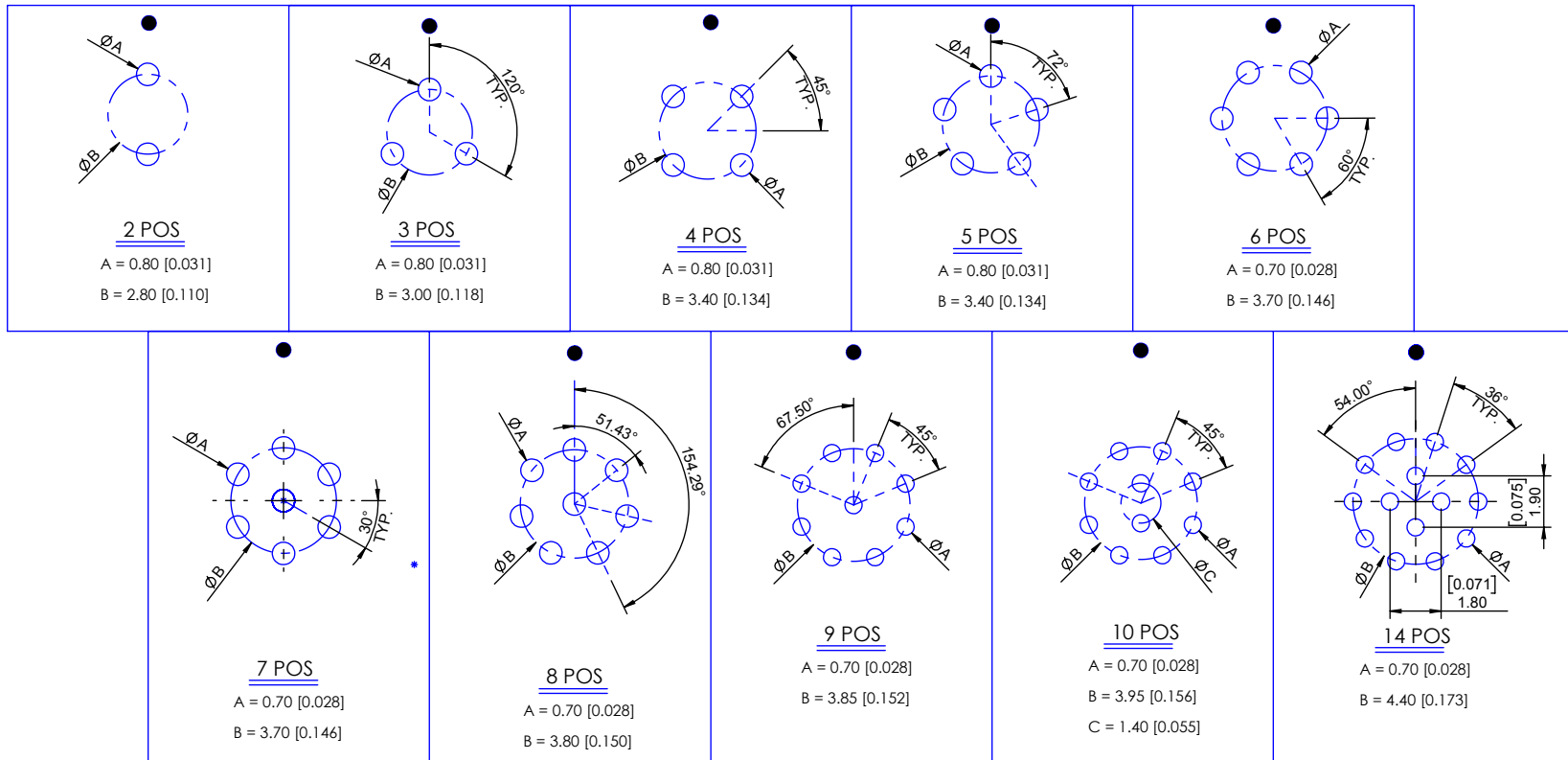
THESE DRAWINGS AND SPECIFICATIONS ARE THE PROPERTY OF NorComp AND SHALL NOT BE REPRODUCED, COPIED OR USED AS THE BASIS FOR THE MANUFACTURE OR SALE OF APPARATUS WITHOUT WRITTEN PERMISSION.

NorComp

DRAWN: M. SIGMON	DATE: 10-04-16	SCALE: N.T.S.	SHEET 1	OF 2	REV: 2
			DWG NO. 8P1PYYY210YRB01		

BOARD LAYOUTS

● = KEY LOCATION



RoHS COMPLIANT



THESE DRAWINGS AND SPECIFICATIONS ARE THE PROPERTY OF NorComp AND SHALL NOT BE REPRODUCED, COPIED OR USED AS THE BASIS FOR THE MANUFACTURE OR SALE OF APPARATUS WITHOUT WRITTEN PERMISSION.

NorComp

DRAWN: M. SIGMON

DATE: 10-04-16

SCALE: N.T.S.

SHEET 2 OF 2

REV: 2

DWG NO. 8P1PYYY210YRB01

Looking for pricing, stock, or lifecycle information?

Click below to explore more details on WIN SOURCE:

 [View 8P1P008210JRB01 on WIN SOURCE](#)

 [NorComp Inc. Information](#)

Optimize Your Supply Chain with WIN SOURCE Solutions

-  Global Sourcing Solution
-  Obsolete Management
-  Cost Control Management
-  Shortage Management
-  Alternative Solution
-  Excess Inventory Management