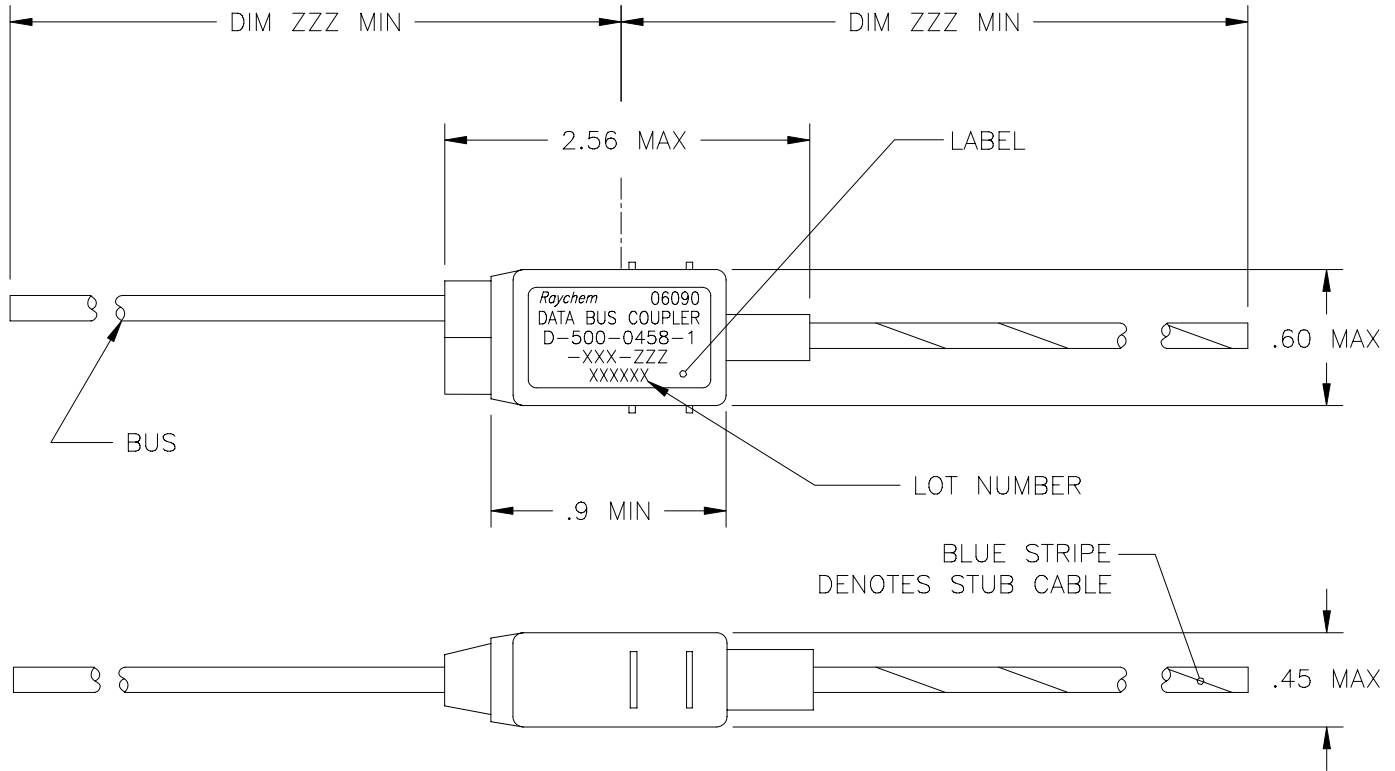




THE DATASHEET OF
D-500-0458-1-613-078-TSSU



| REVISION | | |
|----------|-------------------------------|---------|
| REV | DESCRIPTION | DATE |
| B | REVISED PER DCR NUMBER T31572 | 6/12/03 |



| COMPONENT NUMBER | BUS CABLE | STUB CABLE |
|----------------------|------------|-------------|
| D-500-0458-1-612-ZZZ | 10612-24-9 | 10612-24-96 |
| D-500-0458-1-613-ZZZ | 10613-24-9 | 10613-24-96 |
| D-500-0458-1-614-ZZZ | 10614-24-9 | 10614-24-96 |

PART NO. D-500-045X-1-XXX-ZZZ

SCHEMATIC ————

8=INTERNAL TERMINATOR (AS SHOWN)
REVERSE CONFIGURATION

1=SINGLE STUB ————

LENGTH OF CABLE (INCHES)

CABLE
612=10612
613=10613
614=10614

SPECIFICATION CONTROL DRAWING

UNLESS OTHERWISE SPECIFIED DIMENSIONS ARE INCHES. METRIC DIMENSIONS ARE IN BRACKETS.

DECIMAL TOLERANCES
.XXX ± --- [--- mm]
.XX ± --- [--- mm]
.X ± --- [--- mm]

ANGLE TOLERANCE
.X ± ---

WEIGHT
SEE NOTES

DRAWN
Z.Teman

DATE
4/15/97

MATERIAL

FINISH

THIRD ANGLE PROJECTION

tyco
Electronics

Tyco Electronics
300 CONSTITUTION DRIVE
MENLO PARK, CALIFORNIA 94025 USA

Raychem

TITLE
DATABUS MICROCOUPLER
SINGLE STUB IN-LINE,
04 SERIES, REVERSE WITH
INTERNAL BUS TERMINATOR

SIZE
A

CODE IDENT. NO.
06090

DWG. NO.
D-500-0458-1-XXX-ZZZ

CAD FILE
T31572A

DO NOT SCALE THIS DRAWING

SHEET 1 OF 2

1. MATERIAL AND FINISHES:1.1 INTERNAL COMPONENTS:

- 1.1.1 -TRANSFORMER TO MIL-PRF-21038 AND MIL-STD-1553B
 1.1.2 -RESISTORS, ISOLATION PER MIL-PRF-39007/9, 57.6 OHMS (R1)
 1.1.3 -RESISTORS, TERMINATION PER MIL-PRF-39007/9, 76.8 OHMS (R2)
 1.2 SHIELDED CASE: ALUMINUM PER ASTM-B618
 1.3 SEALED STRAIN RELIEF COVER: MODIFIED CROSS-LINKED ELASTOMER, BLACK, TO RAYCHEM SPECIFICATION RK-6713.
 1.4 CABLE TYPE PER RAYCHEM SPECIFICATION 1200 (SEE PART NO. ON SHEET 1).

2. APPLICATION:

- 2.1 THIS COUPLER IS DESIGNED TO BE INSTALLED AS A DIGITAL MULTIPLEX ASSEMBLY MEETING THE REQUIREMENTS OF MIL-STD-1553B.
 2.2 FOR CABLE SPLICING USE FLEXIBLE SPLICE KIT D-150-0708-5 (NOT SUPPLIED).
 2.3 CABLE BEND RADIUS PER SAE-AS50881 STATIC BEND: 5 x CABLE O.D. MIN.
 DYNAMIC BEND: 10 x CABLE O.D. MIN.

3. TEMPERATURE:

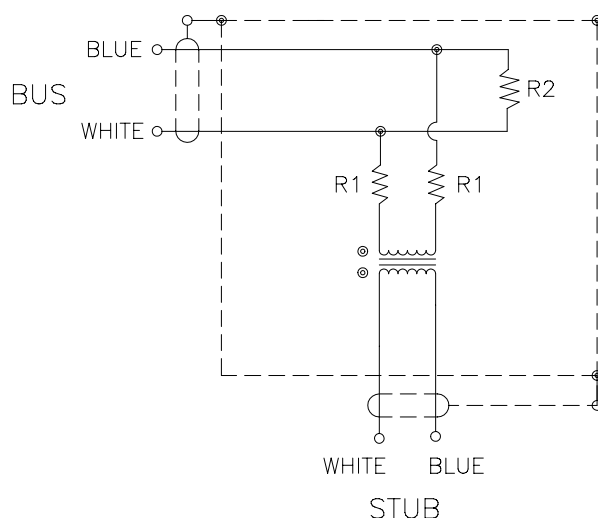
- 3.1 OPERATING TEMPERATURE: -65°C TO +150°C

4. PERFORMANCE SPECIFICATIONS:

- 4.1 TRANSFORMER MEETS THE PERFORMANCE REQUIREMENTS OF MIL-STD-1553B.
 4.2 COUPLER MEETS THE PERFORMANCE REQUIREMENTS OF RAYCHEM SPECIFICATION D-6020.

5. WEIGHT:

- 5.1 MAXIMUM WEIGHT WITHOUT CABLE: 10 GRAMS MAX.



ONE STUB COUPLER SCHEMATIC

SPECIFICATION CONTROL DRAWING

| | | | | | |
|---------------------|-----------------------------------|-----------|---------------------------|----------------------------------|--------------|
| DRAWN ZET | DATE 4/15/97 | SIZE A | CODE IDENT. NO. 06090 | DWG. NO. D-500-0458-1-XXX-ZZZ | REV B |
| CAD FILE T31572B | tyco Electronics | | DO NOT SCALE THIS DRAWING | | SHEET 2 OF 2 |

Looking for pricing, stock, or lifecycle information?

Click below to explore more details on WIN SOURCE:

-  [View D-500-0458-1-613-078-TSSU on WIN SOURCE](#)
-  [TE Connectivity Information](#)

Optimize Your Supply Chain with WIN SOURCE Solutions

-  Global Sourcing Solution
-  Obsolete Management
-  Cost Control Management
-  Shortage Management
-  Alternative Solution
-  Excess Inventory Management