



**THE DATASHEET OF  
8P1P003210GRBR1**



8P1P YYY 2 1 0 YR BR 1

SERIES 14.00 [0.551]  
 # OF POSITIONS (Ex. 002)  
 \*\*SEE CHART A\*\*  
 2 = FEMALE  
 BOARD MOUNT (PANEL MOUNT)  
 PLASTIC SHELL  
 1 = GOLD FLASH  
 RoHS COMPLIANT  
 NUT "B" COLOR  
 G = GREY  
 A = BLUE  
 J = YELLOW  
 N = BLACK  
 R = RED  
 V = GREEN

CHARACTERISTICS

MATERIALS

HOUSING : ABS+PC  
 HOUSING COLOR : GREY  
 NUT A : BRASS  
 NUT A PLATING : NICKEL  
 CONTACTS : COPPER ALLOY  
 CONTACT PLATING : 7µ" GOLD PLATED OVER 196µ" NICKEL MIN.  
 INSULATOR : PPS (HIGH TEMPERATURE)

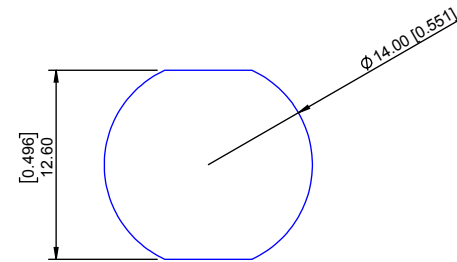
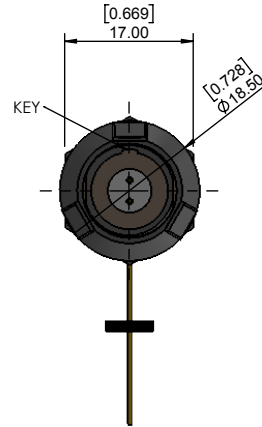
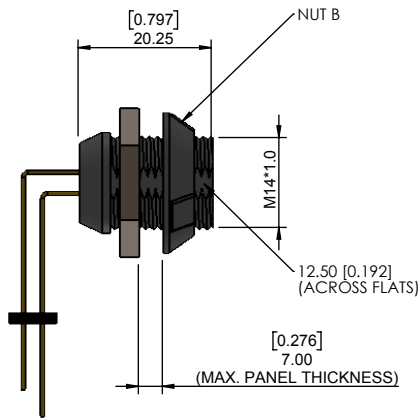
MECHANICAL

DURABILITY: 2000 CYCLES  
 OPERATING TEMP. RANGE: -20° C ~ +120° C  
 PROCESS TEMPERATURE : 260° C FOR 5 SECONDS  
 MAX. TORQUE VALUE : 0.7 Nm [6.19 IN/lbs]

IP RATING: 50

**\*\*NOTE\*\***

SEE PAGE 2 FOR BOARD LAYOUTS



PANEL CUTOUT

TOLERANCE = +0.10, -0.0  
 [+0.004, -0.00]

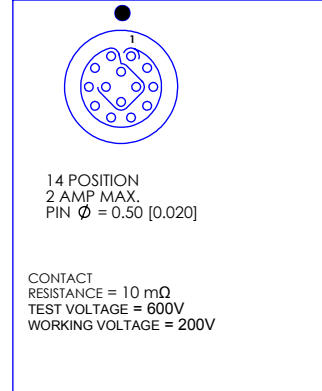


CHART A

● = KEY LOCATION

**\*\*VIEW FROM TERMINATION END\*\***

 2 POSITION 10 AMP MAX. PIN Ø = 1.30 [0.051]  CONTACT RESISTANCE = 5 mΩ TEST VOLTAGE = 1200V WORKING VOLTAGE = 400V	 3 POSITION 10 AMP MAX. PIN Ø = 1.30 [0.051]  CONTACT RESISTANCE = 5 mΩ TEST VOLTAGE = 1200V WORKING VOLTAGE = 400V	 4 POSITION 8 AMP MAX. PIN Ø = 0.90 [0.035]  CONTACT RESISTANCE = 6 mΩ TEST VOLTAGE = 1200V WORKING VOLTAGE = 400V	 5 POSITION 7 AMP MAX. PIN Ø = 0.90 [0.035]  CONTACT RESISTANCE = 6 mΩ TEST VOLTAGE = 1050V WORKING VOLTAGE = 350V	 6 POSITION 6 AMP MAX. PIN Ø = 0.70 [0.028]  CONTACT RESISTANCE = 7.5 mΩ TEST VOLTAGE = 1050V WORKING VOLTAGE = 350V	 7 POSITION 5 AMP MAX. PIN Ø = 0.70 [0.028]  CONTACT RESISTANCE = 7.5 mΩ TEST VOLTAGE = 1050V WORKING VOLTAGE = 350V	 8 POSITION 5 AMP MAX. PIN Ø = 0.70 [0.028]  CONTACT RESISTANCE = 7.5 mΩ TEST VOLTAGE = 1050V WORKING VOLTAGE = 350V	 9 POSITION 3 AMP MAX. PIN Ø = 0.50 [0.020]  CONTACT RESISTANCE = 10 mΩ TEST VOLTAGE = 850V WORKING VOLTAGE = 280V	 10 POSITION 3 AMP MAX. PIN Ø = 0.50 [0.020]  CONTACT RESISTANCE = 10 mΩ TEST VOLTAGE = 850V WORKING VOLTAGE = 280V
--	--	---	---	---	---	---	---	--

**RoHS COMPLIANT**

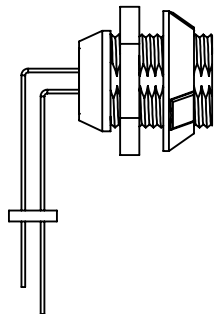


THESE DRAWINGS AND SPECIFICATIONS ARE THE PROPERTY OF NorComp AND SHALL NOT BE REPRODUCED, COPIED OR USED AS THE BASIS FOR THE MANUFACTURE OR SALE OF APPARATUS WITHOUT WRITTEN PERMISSION.

NorComp

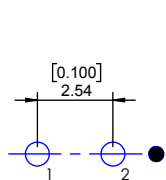
DRAWN: M. SIGMON	DATE: 10-11-16	SCALE: N.T.S.	SHEET 1	OF 2	REV: 2
			DWG NO. 8P1PYYY210YRBR1		

● = KEY LOCATION

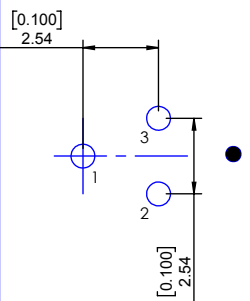


**HOLE DIAMETERS**

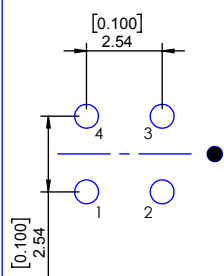
2 POS : 0.90 [0.035]  
 3-14 POS : 0.80 [0.031]



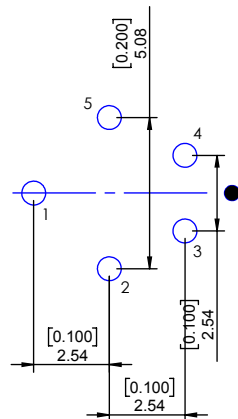
2 POS



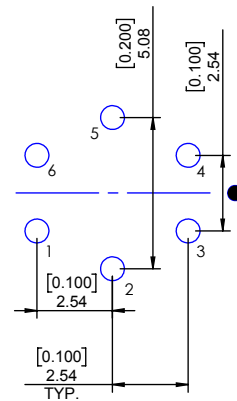
3 POS



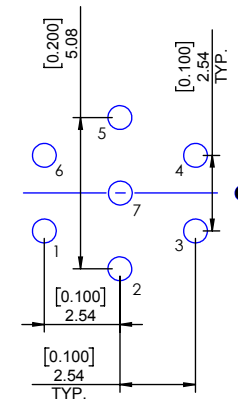
4 POS



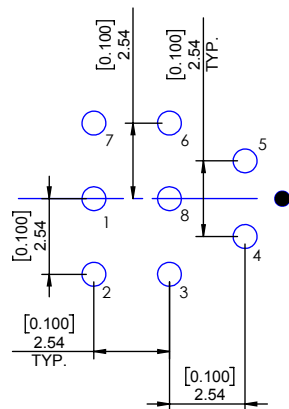
5 POS



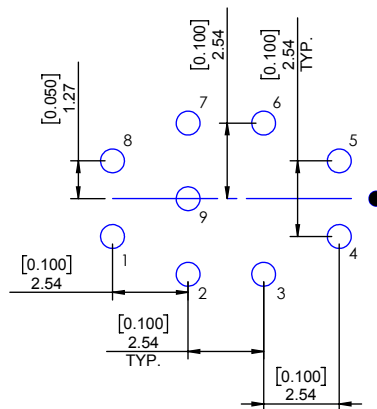
6 POS



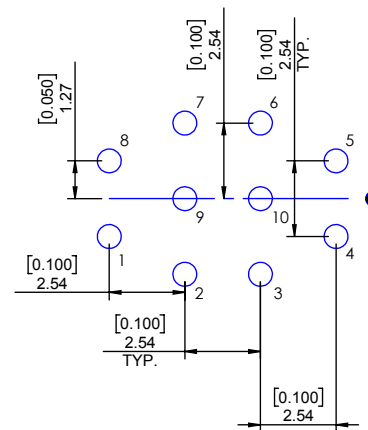
7 POS



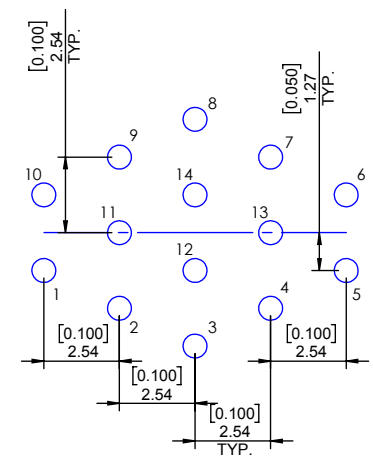
8 POS



9 POS



10 POS



14 POS

**RoHS COMPLIANT**



THESE DRAWINGS AND SPECIFICATIONS ARE THE PROPERTY OF NorComp AND SHALL NOT BE REPRODUCED, COPIED OR USED AS THE BASIS FOR THE MANUFACTURE OR SALE OF APPARATUS WITHOUT WRITTEN PERMISSION.

# NorComp

DRAWN: M. SIGMON

DATE: 10-11-16

SCALE: N.T.S.

SHEET 2 OF 2

REV: 2

DWG NO. 8P1PYYY210YRBR1

## Looking for pricing, stock, or lifecycle information?

Click below to explore more details on WIN SOURCE:

 [View 8P1P003210GRBR1 on WIN SOURCE](#)

 [NorComp Inc. Information](#)

## Optimize Your Supply Chain with WIN SOURCE Solutions

-  Global Sourcing Solution
-  Obsolete Management
-  Cost Control Management
-  Shortage Management
-  Alternative Solution
-  Excess Inventory Management