



THE DATASHEET OF BQ27505EVM



bq27505EVM System-Side, Single-Cell Impedance Track™ Technology Evaluation Module

This evaluation module (EVM) is a complete evaluation system for the bq27505. The EVM includes one bq27505 circuit module, a current sense resistor, one thermistor, and Windows®-based PC software. An EV2300 PC interface board for gas gauge interface is required to interface this EVM with the PC and can be purchased separately. The circuit module includes one bq27505 integrated circuit and all other onboard components necessary to monitor and predict capacity for a system-side fuel gauge solution. The circuit module connects directly across the battery pack. With the EV2300 interface board and software, the user can read the bq27505 data registers, program the chipset for different pack configurations, log cycling data for further evaluation, and evaluate the overall functionality of the bq27505 solution under different charge and discharge conditions.

Contents

1	Features	2
2	bq27505-Based Circuit Module	2
3	bq27505 Circuit Module Schematic	3
4	Circuit Module Physical Layouts and Bill of Materials	3
5	EVM Hardware and Software Setup	7
6	Troubleshooting Unexpected Dialog Boxes	7
7	Hardware Connection	7
8	Operation	8
9	Calibrate Screen	11
10	I2C Pro Screen	13
11	bqEASY™ Software	13
12	Related Documentation from Texas Instruments	17

List of Figures

1	bq27505EVM-001 Layout – Silk Screen	3
2	Top Assembly	4
3	Top Layer	4
4	Bottom Layer	5
5	Schematic	6
6	bq27505 Circuit Module Connection to Cell and System Load/Charger	8
7	DataRAM Screen	9
8	Data Flash Screen	10
9	Calibration Screen	12
10	I2C Pro Screen	12
11	bqEASY Welcome Screen	13
12	bqEASY Flowchart	14
13	Load and Switch	17

List of Tables

1	Ordering Information	2
2	Bill of Materials	5

Impedance Track, bqEASY are trademarks of Texas Instruments.
Windows, Microsoft are registered trademarks of Microsoft Corporation.

3	Performance Specification Summary.....	7
4	Circuit Module to EV2300 Connections.....	8

1 Features

- Complete evaluation system for the bq27505 gas gauge with Impedance Track™ technology
- Populated circuit module for quick setup
- Personal computer (PC) software and interface board for easy evaluation
- Software that allows data logging for system analysis

1.1 Kit Contents

- bq27505 circuit module (HPA386)
- NTC103AT thermistor
- Set of support documentation

This EVM is used for the evaluation of different bq27505-based products. Ensure that you visit the product Web folder at www.ti.com to download the latest firmware version for the associated product to be evaluated.

1.2 Ordering Information

Table 1. Ordering Information

EVM PART NUMBER	CHEMISTRY	CONFIGURATION	CAPACITY
bq27505EVM	Li-ion	1 cell	Any

2 bq27505-Based Circuit Module

The bq27505-based circuit module is a complete and compact example solution of a bq27505 circuit for battery management. The circuit module incorporates a bq27505 battery gas gauge integrated circuit (IC) and all other components necessary to accurately predict the capacity of 1-series Li-ion cell.

2.1 Circuit Module Connections

Contacts on the circuit module provide the following connections:

- Direct connection to the battery pack (J2 or J3): PACK+, PACK-, and TS
- To the serial communications port (J8): SDA, SCL, and VSS
- The system load and charger connect across charger and load (J6 and J7): CHARGER-/LOAD- and CHARGER+/LOAD+
- Access to signal outputs (J6): SOC_INT, BAT_GD and BAT_LOW
- Optional 2.5V input if powering IC from actual system power (J1): 2.5V INPUT and VSS

2.2 Pin Descriptions

PIN NAME	DESCRIPTION
PACK+	Pack positive terminal
PACK-	Pack negative terminal
T	Pack thermistor input that leads to IC TS pin
SDA	I ² C communication data line
SCL	I ² C communication clock line
VSS	Signal return for communication line, shared with charger and ground
CHG+/LOAD+	High potential of load or charger connection

PIN NAME	DESCRIPTION
CHG-/LOAD-	Low potential of load or charger connection (system VSS)
BAT_GD	Access to push-pull output that indicates that pack is ready to be connected to system
BAT_LOW	Access to push-pull output that signals low State-of-charge
SOC_INT	Access to open drain output that signals interrupt for changes in SOC

3 bq27505 Circuit Module Schematic

3.1 Schematic

The schematic follows the bill of materials in this user's guide.

4 Circuit Module Physical Layouts and Bill of Materials

This section contains the board layout, bill of materials, and assembly drawings for the bq27505 circuit module.

4.1 Board Layout

This section shows the PCB layers (Figure 1 through Figure 4), and assembly drawing for the bq27505 module.

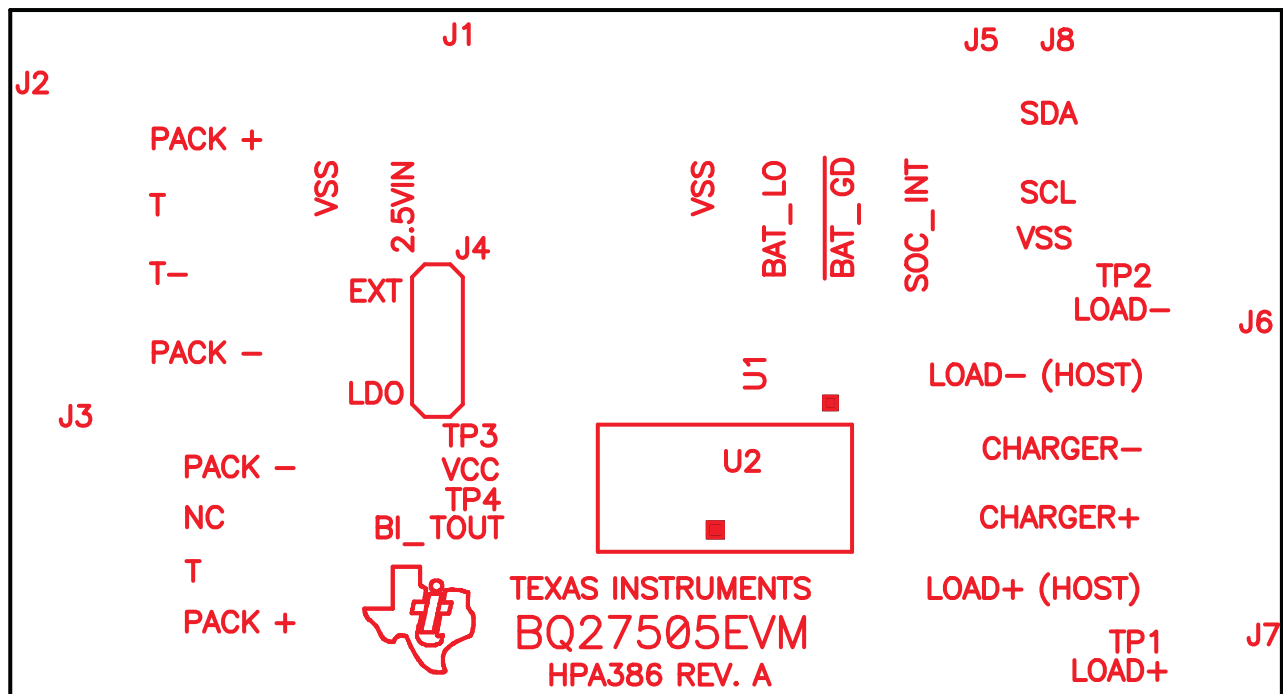


Figure 1. bq27505EVM-001 Layout – Silk Screen

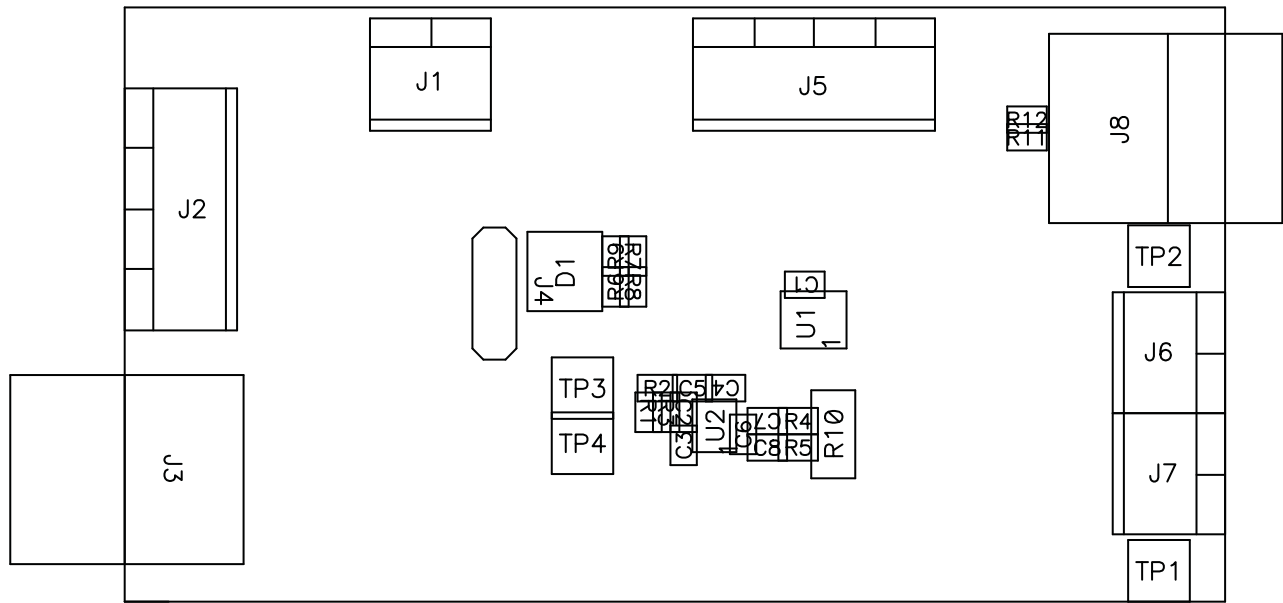


Figure 2. Top Assembly

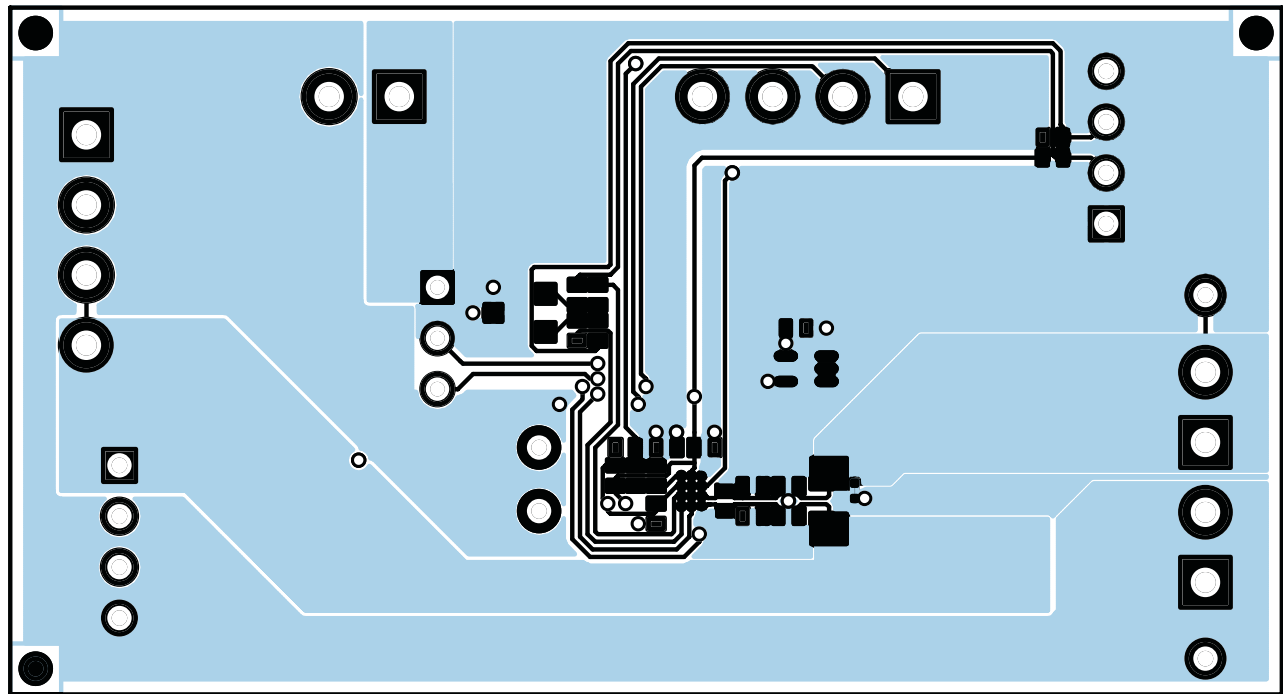
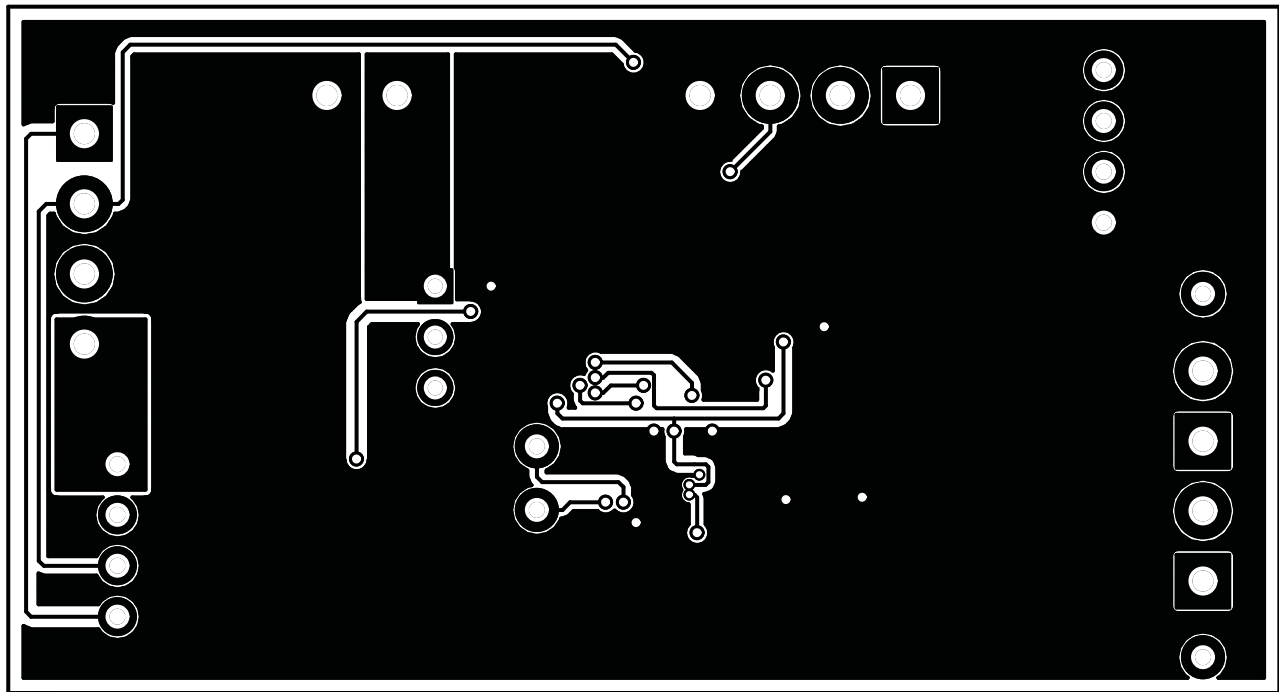


Figure 3. Top Layer


Figure 4. Bottom Layer

4.2 Bill of Materials and Schematic

Table 2. Bill of Materials

Count	Ref Des	Description	Size	MFG	Part No.
6	C1, C2, C5, C6, C7, C8	Capacitor, Ceramic, 0.1uF, 10V, X5R	402	Murata	GRM155R61A104KA01D
1	C3	Capacitor, Ceramic, 33nF, 10V, X7R	402	Murata	GRM155R71A333KA01D
1	C4	Capacitor, Ceramic, 0.47uF, 6.3V, X5R	402	Murata	GRM155R60J474KE19D
1	D1	Diode, Dual, Zener, 5.6 V, 300mW	SOT23	Diodes	AZ23C5V6-7
3	J1, J6, J7	Terminal Block, 2-pin, 6-A, 3.5mm	0.27 x 0.25 inch	OST	ED555/2DS
2	J2, J5	Terminal Block, 4-pin, 6-A, 3.5mm	0.55 x 0.25 inch	OST	ED555/4DS
2	J3, J8	Header, Friction Lock Ass'y, 4-pin Right Angle	0.400 x 0.500	Molex	22-05-3041
1	J4	Header, Male 3-pin, 100mil spacing, (36-pin strip)	0.100 inch x 3	Sullins	PEC36SAAN
1	R1	Resistor, Chip, 1.80-MOhms, 1/16-W, 5%	402	Std	Std
1	R10	Resistor, Chip, 0.01-Ohms, 0.25W, 1%	1206	Vishay	WSL1206R0100FEA
2	R11, R12	Resistor, Chip, 10k-Ohms, 1/16-W, 5%	402	Std	Std
1	R2	Resistor, Chip, 18.2-kOhms, 1/16-W, 5%	402	Std	Std
1	R3	Resistor, Chip, 1-kOhms, 1/16-W, 5%	402	Std	Std
6	R4, R5, R6, R7, R8, R9	Resistor, Chip, 100-Ohms, 1/16-W, 5%	402	Std	Std
2	TP1, TP3	Test Point, Red, Thru Hole Color Keyed	0.100 x 0.100 inch	Keystone	5000
1	TP2	Test Point, Black, Thru Hole Color Keyed	0.100 x 0.100 inch	Keystone	5001
1	TP4	Test Point, White, Thru Hole Color Keyed	0.100 x 0.100 inch	Keystone	5002
1	U1	IC, High Input Voltage, 3.2uA @ 50mA LDO, 2.5V	SOP-5 (DCK)	Texas Instruments	TPS71525DCKR
1	U2	IC, System-Side Impedance-Track Fuel Gauge	BGA	Texas Instruments	BQ27505YZG

4.3 bq27505 Circuit Module Performance Specification Summary

This section summarizes the performance specifications of the bq27505 circuit module.

Table 3. Performance Specification Summary

Specification	Min	Typ	Max	Units
Input voltage Pack+ to Pack-	2.7	3.6	4.3	V
Charge and discharge current	0	1	2	A

5 EVM Hardware and Software Setup

This section describes how to install the bq27505EVM PC software and how to connect the different components of the EVM.

5.1 System Requirements

The bq27505EVSW software requires Windows 2000 or Windows XP. Drivers for Windows 98SE are provided, but Microsoft® no longer supports Windows 98; therefore, Windows 98 can have issues with USB driver support. The EV2300 USB drivers have been tested for Windows 98SE, but no assurance is made for problem-free operation with specific system configurations.

5.2 Software Installation

Find the latest software version in the bq27505 tool folder on power.ti.com. Make a search by Part Number for bq27505 to access the tool folder. Use the following steps to install the bq27505EVSW software:

1. Ensure that the EV2300 is not connected to the personal computer (PC) through the USB cable before starting this procedure.
2. Open the archive containing the installation package, and copy its contents into a temporary directory.
3. Open the software file that was downloaded from the TI Web site.
4. Follow the instructions on screen until completing the software installation.
5. Before starting the evaluation software, connect the EV2300 to the computer using the USB cable.
6. Wait until system prompt "new hardware found" appears. Choose "select location manually", and use the "browse" button to point to subdirectory TIUSBWin2K-XP-1.
7. Answer "continue" to the warning that drivers are not certified with Microsoft.
8. After installation finishes, another system prompt "new hardware found" appears. Repeat steps 1 through 5, but specify the directory as TIUSBWin2K-XP-2.
9. Answer "continue" to the warning that drivers are not certified with Microsoft. Driver installation is now finished.

6 Troubleshooting Unexpected Dialog Boxes

The user that is downloading the files must be logged in as the administrator.

The driver is not signed, so the administrator must allow installation of unsigned drivers in the operating system policy.

7 Hardware Connection

The bq27505EVM-001 comprises three hardware components: the bq27505 circuit module, the EV2300 PC interface board (purchased separately), and the PC.

7.1 Connecting the bq27505 Circuit Module to a Battery Pack

Figure 6 shows how to connect the bq27505 circuit module to the cells and system load/charger.

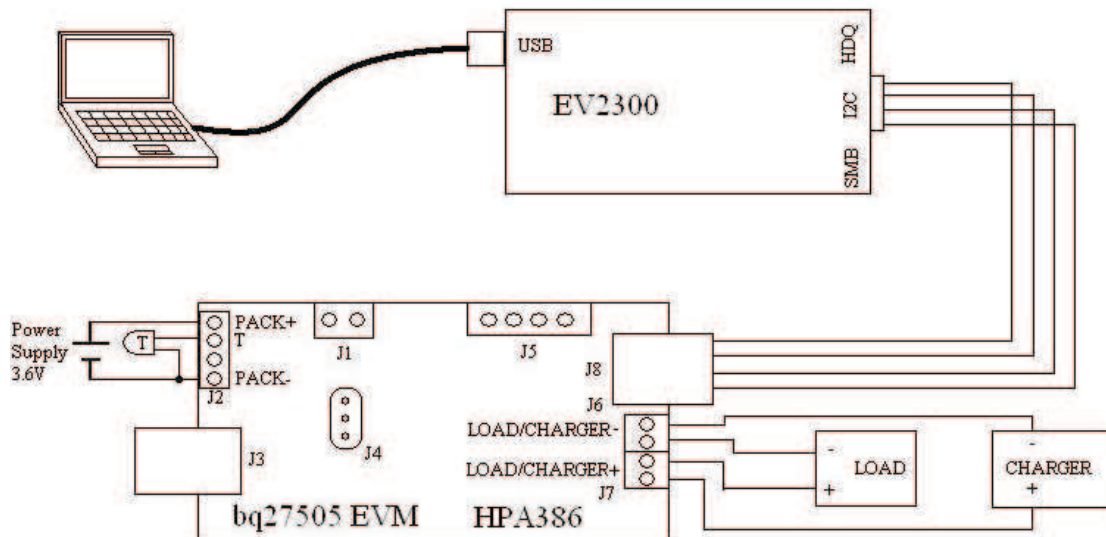


Figure 6. bq27505 Circuit Module Connection to Cell and System Load/Charger

7.2 PC Interface Connection

The following steps configure the hardware for interface to the PC.

1. Connect the bq27505-based EVM to the EV2300 using wire leads as shown in Table 4.

Table 4. Circuit Module to EV2300 Connections

bq27505-Based Battery	EV2300
SDA	SDA
SCL	SCL
VSS	GND

2. Connect the PC USB cable to the EV2300 and the PC USB port.
The bq27505EVM-001 is now set up for operation.

8 Operation

This section details the operation of the bq27505 EVSW software.

8.1 Starting the Program

Run bq27505 EVSW from the Start | Programs | Texas Instruments | bq Evaluation Software menu sequence. The DataRAM screen (Figure 7) appears. Data begins to appear once the <Refresh> (single time scan) button is clicked, or when the <Keep Scanning> check box is checked. To disable the scan feature, deselect <Keep Scanning>.

The continuous scanning period can be set via the | Options | and | Set Scan Interval | menu selections. The range for this interval is 0 ms to 65,535 ms. Only items that are selected for scanning are scanned within this period.

The bq27505 EVSW provides a logging function which logs the values that were last scanned by EVSW. To enable this function, select the *Start Logging* button; this causes the *Keep Scanning* button to be selected. When logging is *Stopped*, the keep scanning button is still selected and has to be manually unchecked.

The logging intervals are specified under the | Options | menu with the maximum value of 65,535 ms. The Log interval cannot be smaller than the scan interval because this results in the same value being logged at least twice.

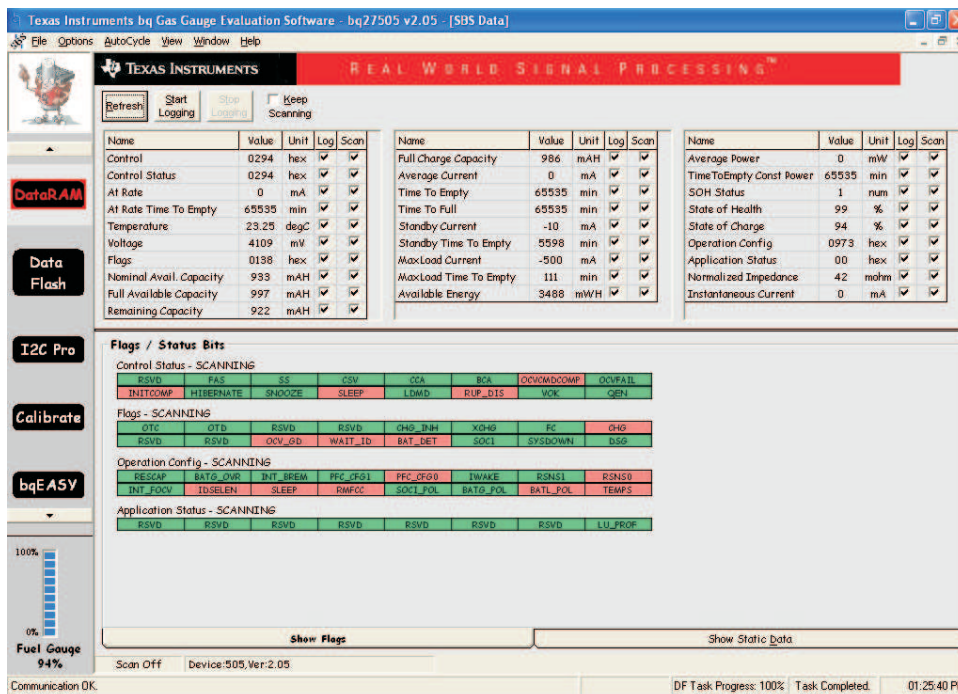


Figure 7. DataRAM Screen

This screen (Figure 7) shows the RAM data set. Additional Flag and Status data can be viewed at the bottom of the DataRAM screen.

Dragging the splitter bar (line that separates the Flags/Status data from Data Ram register values) changes the height of the Flags/Status Data display. Selecting | View |, then | Auto Arrange | returns the splitter bar to its original location.

8.2 Setting Programmable bq27505 Options

The bq27505 data flash comes configured per the default settings detailed in the bq27505 data sheet. Ensure that the settings are correctly changed to match the pack and application for the bq27505 solution being evaluated.

IMPORTANT: The correct setting of these options is essential to get the best performance.

The settings can be configured using the Data Flash screen (Figure 8).

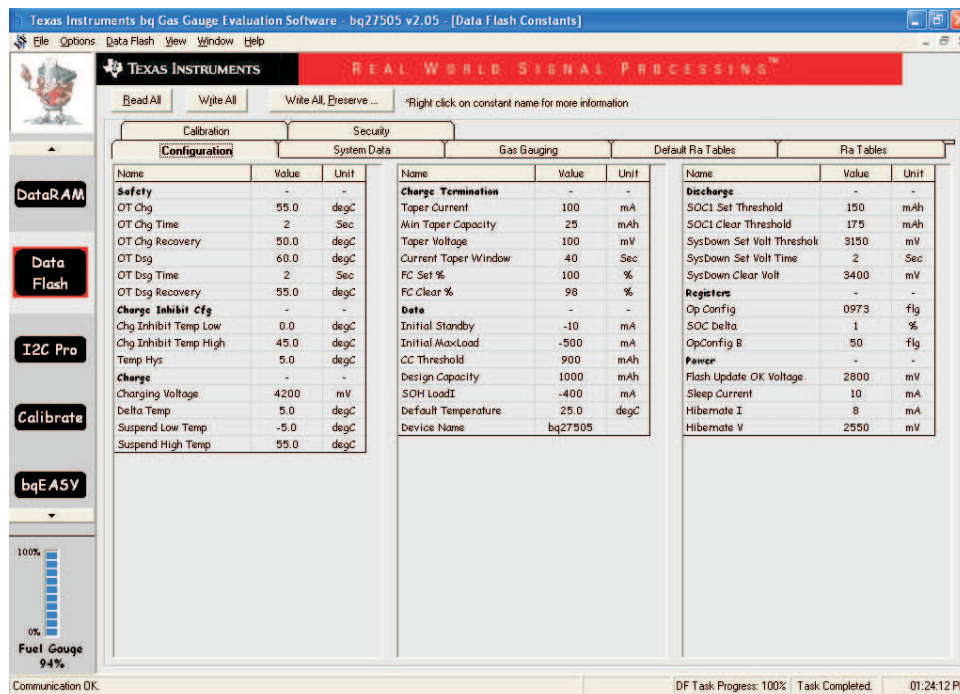


Figure 8. Data Flash Screen

To read all the data from the bq27505 data flash, click on menu option | Data Flash | Read All |.

To write to a data flash location, click on the desired location, enter the data and press <Enter>, which writes the entire tab of flash data, or select menu option | Data Flash | Write All |. The data flash must be read before any writes are performed to avoid any incorrect data being written to the device.

The | File | Special Export | menu options allows the data flash to be exported, but it configures the exported data flash to a learned state ready for mass production use.

The data-flash configuration can be saved to a file by selecting | File | Export | and entering a file name. A data-flash file also can be retrieved in this way, imported, and written to the bq27505 using the | Write All | button.

The module calibration data is also held in the bq27505 data flash.

The bq27505 allows for an automatic data-flash export function, similar to the DataRAM logging function. This feature, when selected via | Options | Auto Export |, exports Data Flash to a sequential series of files named as *FilenameNNNNN.gg* where N = a decimal number from 0 to 9.

The AutoExport interval is set under the | Options menu | with a minimum value of 15 s. The AutoExport filename is also set under the | Options menu |.

When a check is next to | AutoExport |, the AutoExport is in progress. The same menu selection is used to turn on/off AutoExport.

If the Data Flash screen is blank, then the bq27505 that is being used may not be supported by the bqEVSW version that is being used. An upgrade may be required.

9 Calibrate Screen

To ensure proper calibration, perform the following steps. These steps may or may not be required, depending on the type of calibration being performed.

9.1 To Calibrate the bq27505

Select the types of calibration to be performed (see [Figure 9](#)).

Enter the measured values for the types selected.

If *Temperature Calibration* is selected, then select the sensor that is to be calibrated.

Press the *Calibrate Part as indicated below* button.

9.2 CC Offset Calibration

This performs the internal calibration of the coulomb counter input offset.

9.3 Board Offset Calibration

This performs the offset calibration for the current offset of the board.

It is expected that no current is flowing through the sense resistor while performing this calibration step. Remove load and short PACK– to LOAD–.

Press the *CC Board Offset Calibration* button.

9.4 Voltage Calibration

- Measure the voltage across Pack+ and Pack-.
- Type the voltage value in mV into *Enter Actual Voltage* .
- Press the *Calibrate Part as indicated below* button.

9.5 Temperature Calibration

- Measure the temperature for PACK.
- Type the temperature value into *Enter Actual Temperature*.
- Select if the temperature sensor to calibrate is the internal or external.
- Press the *Calibrate Part as indicated below* button.

9.6 Pack Current Calibration

- Connect a load to LOAD– and LOAD+ that draws approximately 1 A, or connect a current source to LOAD– and Pack-.
- Measure the current and type value into *Enter Actual Current* using (-) for current in discharge direction.
- Press the *Calibrate Part as indicated below* button.

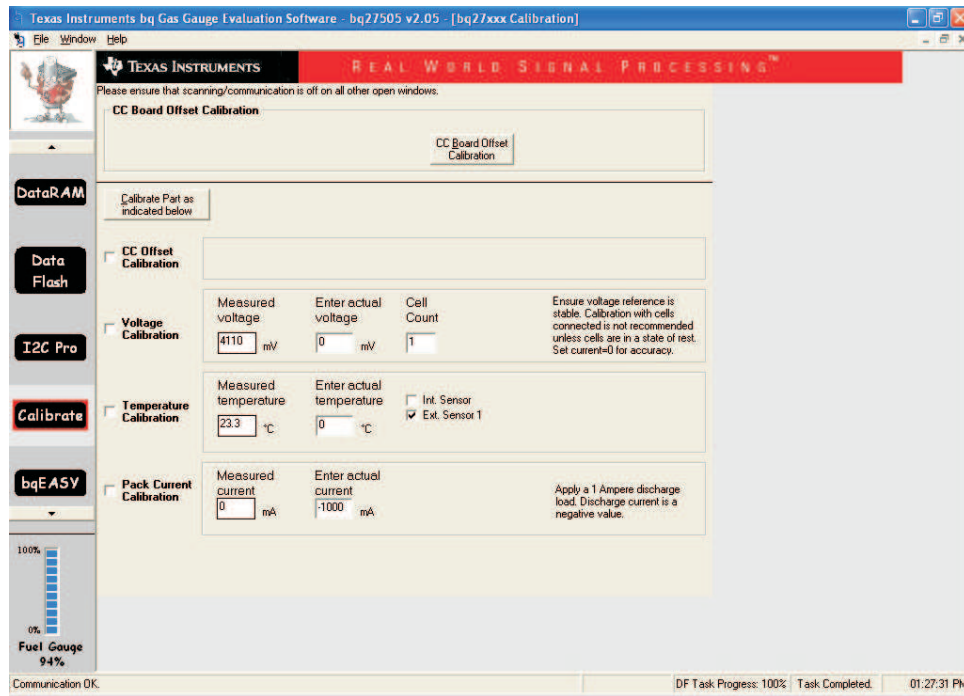


Figure 9. Calibration Screen

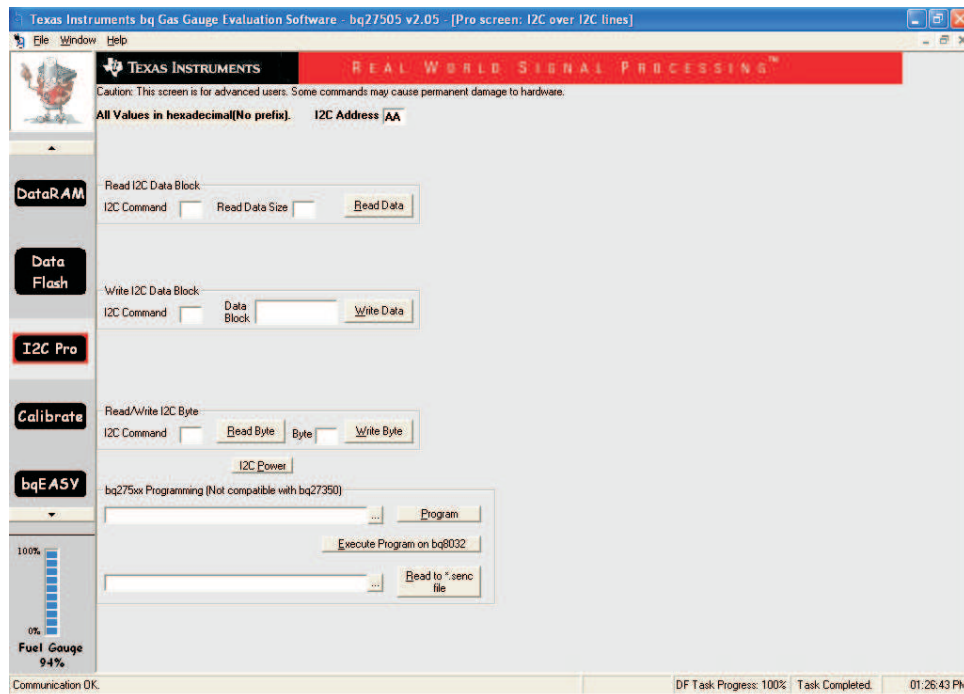


Figure 10. I2C Pro Screen

10 I2C Pro Screen

10.1 I²C Communication

The read/write operations of the I2C Pro function is not specific to any gas gauge. These operations serve as general-purpose communication tools (Figure 10).

11 bqEASY™ Software

11.1 Introduction

Texas Instruments fuel gauges, employing the Impedance Track algorithm offer an unmatched array of features and benefits. Sometimes, however, the wide range of configuration settings can seem challenging to get started with the evaluation process. In addition, determining the correct chemistry model and producing the 'golden image' file can be time consuming. The bqEASY program is designed to greatly simplify the process of configuring, calibrating, selecting chemistry, and performing learning cycles through the step-by-step use of a wizard program.

The bqEASY software runs inside the current EV software when it is executed by clicking the bqEASY button in the left column of buttons below the Calibrate button in the EV software.



Figure 11. bqEASY Welcome Screen

11.2 Program Navigation and Flowchart

The sequence of operation of the bqEASY program can be understood by reviewing the basic flowchart in Figure 12. Using the program is simple – just start a new project and follow the steps sequentially from 1A to 5C. You can use the Next button, or click on the top tabs and left subsection labels to move to any desired page. Some operations must be completed in sequence due to data dependencies, or to implement the proper flow. Therefore, it is recommended that the prescribed sequence be followed, at least at first.

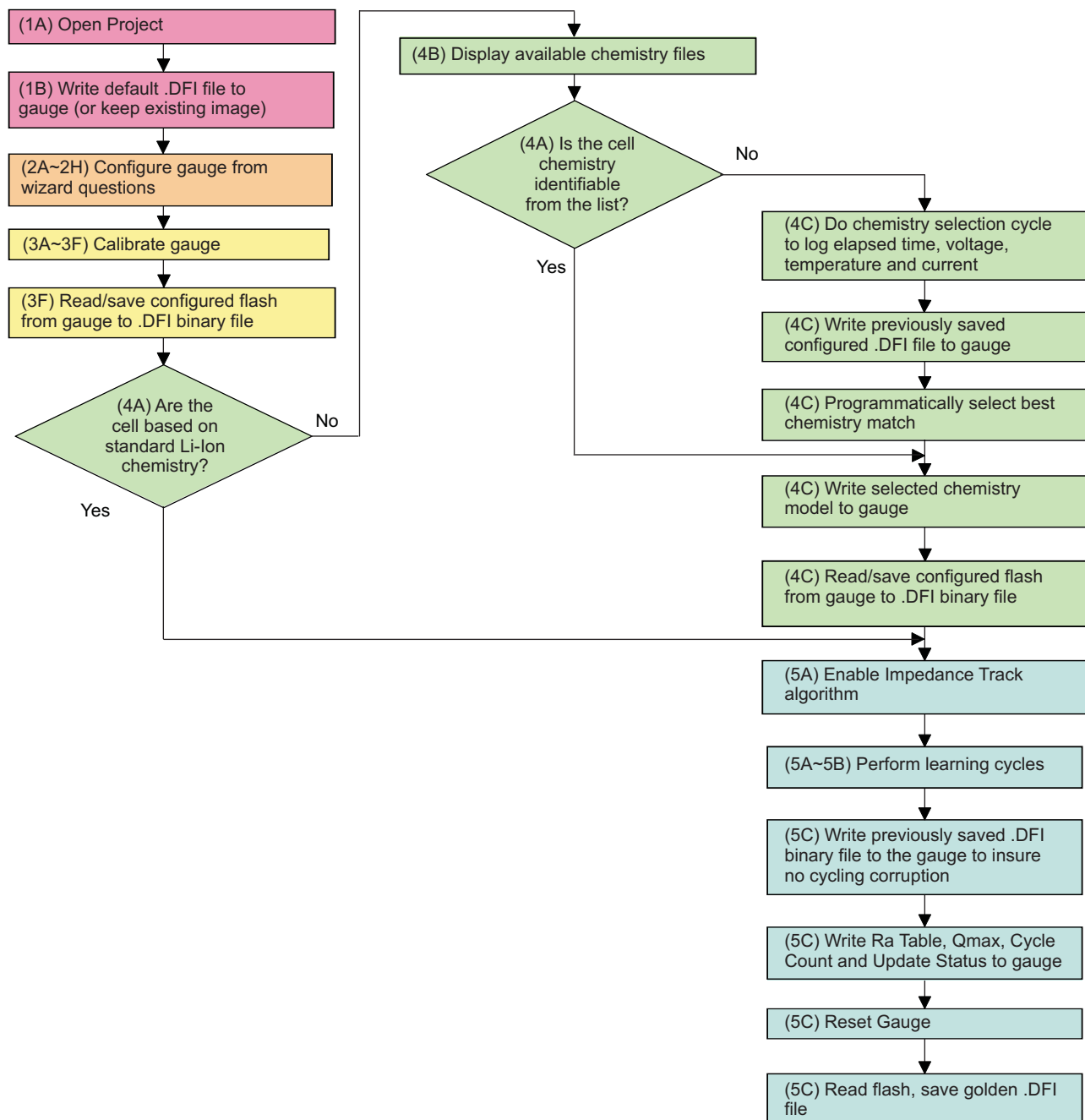


Figure 12. bqEASY Flowchart

11.3 Simplified Configuration Procedures

These simplified configuration procedures can be used to quickly set up the parameters without navigating through the entire user interface.

1. Simple configuration of the gas gauge with default or custom data:
 - (a) Open the current EV software, and click the bqEASY button in the left column of buttons below the "Calibrate" button in the EV software.
 - (b) Click the "2. Configure" tab at the top row of bqEASY tabs. (Note: You can skip the first tab.)
 - (c) Answer all questions, or leave defaults for all of tab "2", but be sure to click the "OK" button at the

bottom of each tab "2" page to ensure that a Completion Checkmark appears for each page.

- (d) On page 2H, when you click the "OK" button, the software asks you to write to the data-flash memory. Click "Yes" for OK to write to the data flash.

Your Gas Gauge Module now has the data flash configured as you declared with all the information entered in tab "2. Configure".

2. Simple installation of the Chemistry data using bqEASY software, if the chemistry is a known chemistry available in the bqEASY software:
 - (a) Open the current EV software, and click the bqEASY button in the left column of buttons below the "Calibrate" button in the EV software.
 - (b) Click the "4. Chemistry" tab at the top row of bqEASY tabs. (Note: You can skip all tabs prior to this.)
 - (c) Either select "Use Default Chemistry", or click "Enable Chemistry Selection," and select the correct chemistry from the list.
 - (d) If you cannot find the proper chemistry, check the device EVM tool folder on the TI Web site for any new bqChemistry file updates. These are updated more frequently than the EV software., Between EV software updates, TI creates a self-extracting installer and posts it in the EVM tool folder for the part being used. Install these updates if they are in the folder.

The software now configures all data-flash locations on Your Gas Gauge Module that deal with chemistry functions. No other data-flash locations are modified.

11.4 Files

The bqEASY software uses four types of files to configure a fuel gauge.

1. **.ENCR** – These are default data-flash definition files found in the \bq_Evaluation_Software folder. The .ENCR file is basically a copy of the entire data flash from a fresh gas gauge prior to any data-flash updates either by the user or the gas gauge. They are unique for each version of each TI fuel gauge product. If you are working with a new version fuel gauge and an older version of bqEASY software, the correct file may not be present. This requires a new version of the EV software with bqEASY software. Navigate to the TI Web site in the EVM tool folder for the device being used, and download the latest version, or contact TI. For the bqEASY program, the .ENCR files act mainly as a dictionary to look up the address for a given data-flash location. For bqEVSW, they define screen parameters including address, display formulas, and data type. An error message appears if the correct .ENCR file cannot be found.
2. **.CHEM (Chemistry Files)** – These are read-only files found in the ..\bq_Evaluation_Software\Plugins\Chemistry folder of the application. When a new Li-Ion battery chemistry is developed, a new Impedance Track model is required to define the chemical model. During automated chemistry selection, each of these files is scanned in order to select the best match with the recorded data. If you are working with a newly developed chemistry, it is possible that an acceptable match may not be found. If this is the case, check for updated bqEASY software or bqChemistry files on the TI Web site in the EVM tool folder for the part being used.
3. **.DFI (Data-Flash Image Files)** – These are binary images of the fuel gauge data flash with modified values based on the application. Because of the binary format, it is quick and easy to transfer them to and from a gauge. Each fuel gauge model and firmware version has a unique read-only .DFI which is found in the ..\bq_Evaluation_Software\Plugins\Device_Defaults folder of the application. During the bqEASY process, intermediate versions of .DFI files are recorded with current updated data in order to prevent the possibility of corruption. Then, the final output of bqEASY is also a .DFI file which is the 'golden image' that is programmed into each production unit. This output file is placed in the ..\bq_Evaluation_Software\Plugins\Projects folder.
4. **.EZY (bqEASY Project Files)** – These are read-write text files which record header information regarding a project, answers to the wizard questions, and status regarding the stage of completion (the red check marks). They are kept in the ..\bq_Evaluation_Software\Plugins\Projects folder.

11.5 Completion Checkmarks

As the wizard questions and tasks are completed, completion checkmarks appear in two places – along the task list on the left and on the category tabs on top. A checkmark on a top tab only appears after all tasks in the category have been completed. For example, in [Figure 8](#) all of the Setup tasks and all of the Configure tasks have been completed. Completion marks are saved in the .EZY project text file. When a completed or partially completed project file is opened, the user is given the chance to erase the checkmarks.

11.6 Device Detection

The bqEASY program is designed to work with a fuel gauge present and already communicating with the bqEVSW evaluation software through the EV2300 USB interface. When the evaluation software is started, it reads the device type and displays it on the upper title block. This information is used by the bqEASY program to select the correct default data-flash image (.DFI) and data-flash configuration file (.ENCR) for this particular device. To ensure that the device has not changed, bqEASY also checks the device type when the bqEASY button is pressed. If the correct files are not found, first check the TI Web site in the EVM tool folder for the part being used, and download the latest version of EV software with bqEASY support. If that fails to help, contact TI.

1. Setup

As the wizard questions and tasks are completed, completion checkmarks appear in two places – along the task list on the left and on the category tabs on top. A checkmark on a top tab only appears after all tasks in the category have been completed. Completion marks are saved in the .EZY project text file. When a completed or partially-completed project file is opened, the user is given the chance to erase the checkmarks.

2. Configure

A series of eight screens is used to collect information about the battery pack application to enable automatic configuration of the most critical data-flash parameters.

3. Calibrate

If you wish to proceed with either automatic chemistry selection or *golden* unit learning cycles, the Impedance Track fuel gauge must be accurately calibrated. The bqEASY screens simply ask the user to use the calibration screen of the bqEVSW for this purpose.

4. Chemistry

The chemistry choices presented in section 4B are based on files in the \Chemistry folder of the bqEASY application. The latest files are available for downloading from the www.ti.com Web site. Automation of the chemistry-selection cycle is made possible using a simple load and switch as depicted in [Figure 13](#). The VOUT pin of the EV2300 may require a 1-MΩ pulldown resistor to ensure that switch is turned off when signaled to do so. The switch can be implemented with either a low VGS-threshold FET or a small relay such as the OMICRON G6RN-1 with a 5-Vdc coil. Multiple 2N7000 FETs can be paralleled if nothing else is available. The load can be either a power resistor or an electronic load set to a discharge rate of C/5. Hint: Follow the instructions exactly, or errors can result.

5. Cycle

When preparing for mass production, cell learning is required, but only on one *golden* pack. The chemical information learned from one pack is quickly transferred to all production units prior to calibration. Doing this correctly requires a series of charge and discharge cycles. The discharge part can be automated with the bqEASY program if the simple load circuit for the chemistry selection is available. Follow the screen instructions.

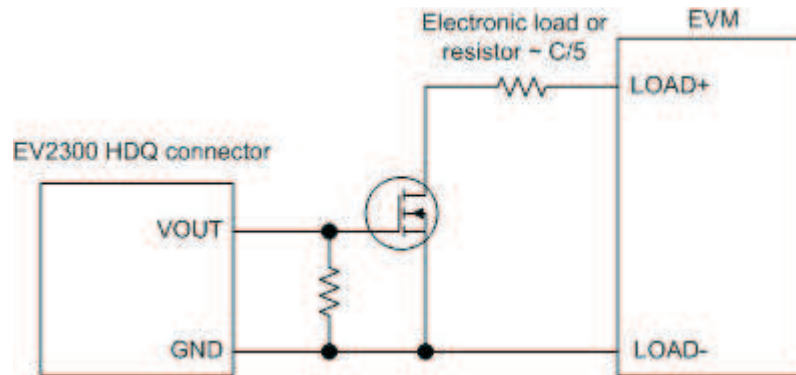


Figure 13. Load and Switch

12 Related Documentation from Texas Instruments

To obtain a copy of any of the following TI documents, call the Texas Instruments Literature Response Center at (800) 477-8924 or the Product Information Center (PIC) at (972) 644-5580. When ordering, identify this document by its title and literature number. Updated documents can also be obtained through the TI Web site at www.ti.com.

- *bq27505, System-Side Impedance Track™ Fuel Gauge With Direct Battery Connection* data sheet ([SLUS884](#))
- *bq27505-J2, System-Side Impedance Track™ Fuel Gauge With Direct Battery Connection* data sheet ([SLUS924](#))

EVALUATION BOARD/KIT/MODULE (EVM) ADDITIONAL TERMS

Texas Instruments (TI) provides the enclosed Evaluation Board/Kit/Module (EVM) under the following conditions:

The user assumes all responsibility and liability for proper and safe handling of the goods. Further, the user indemnifies TI from all claims arising from the handling or use of the goods.

Should this evaluation board/kit not meet the specifications indicated in the User's Guide, the board/kit may be returned within 30 days from the date of delivery for a full refund. THE FOREGOING LIMITED WARRANTY IS THE EXCLUSIVE WARRANTY MADE BY SELLER TO BUYER AND IS IN LIEU OF ALL OTHER WARRANTIES, EXPRESSED, IMPLIED, OR STATUTORY, INCLUDING ANY WARRANTY OF MERCHANTABILITY OR FITNESS FOR ANY PARTICULAR PURPOSE. EXCEPT TO THE EXTENT OF THE INDEMNITY SET FORTH ABOVE, NEITHER PARTY SHALL BE LIABLE TO THE OTHER FOR ANY INDIRECT, SPECIAL, INCIDENTAL, OR CONSEQUENTIAL DAMAGES.

Please read the User's Guide and, specifically, the Warnings and Restrictions notice in the User's Guide prior to handling the product. This notice contains important safety information about temperatures and voltages. For additional information on TI's environmental and/or safety programs, please visit www.ti.com/esh or contact TI.

No license is granted under any patent right or other intellectual property right of TI covering or relating to any machine, process, or combination in which such TI products or services might be or are used. TI currently deals with a variety of customers for products, and therefore our arrangement with the user is not exclusive. TI assumes no liability for applications assistance, customer product design, software performance, or infringement of patents or services described herein.

REGULATORY COMPLIANCE INFORMATION

As noted in the EVM User's Guide and/or EVM itself, this EVM and/or accompanying hardware may or may not be subject to the Federal Communications Commission (FCC) and Industry Canada (IC) rules.

For EVMs **not** subject to the above rules, this evaluation board/kit/module is intended for use for ENGINEERING DEVELOPMENT, DEMONSTRATION OR EVALUATION PURPOSES ONLY and is not considered by TI to be a finished end product fit for general consumer use. It generates, uses, and can radiate radio frequency energy and has not been tested for compliance with the limits of computing devices pursuant to part 15 of FCC or ICES-003 rules, which are designed to provide reasonable protection against radio frequency interference. Operation of the equipment may cause interference with radio communications, in which case the user at his own expense will be required to take whatever measures may be required to correct this interference.

General Statement for EVMs including a radio

User Power/Frequency Use Obligations: This radio is intended for development/professional use only in legally allocated frequency and power limits. Any use of radio frequencies and/or power availability of this EVM and its development application(s) must comply with local laws governing radio spectrum allocation and power limits for this evaluation module. It is the user's sole responsibility to only operate this radio in legally acceptable frequency space and within legally mandated power limitations. Any exceptions to this are strictly prohibited and unauthorized by Texas Instruments unless user has obtained appropriate experimental/development licenses from local regulatory authorities, which is responsibility of user including its acceptable authorization.

For EVMs annotated as FCC – FEDERAL COMMUNICATIONS COMMISSION Part 15 Compliant

Caution

This device complies with part 15 of the FCC Rules. Operation is subject to the following two conditions: (1) This device may not cause harmful interference, and (2) this device must accept any interference received, including interference that may cause undesired operation.

Changes or modifications not expressly approved by the party responsible for compliance could void the user's authority to operate the equipment.

FCC Interference Statement for Class A EVM devices

This equipment has been tested and found to comply with the limits for a Class A digital device, pursuant to part 15 of the FCC Rules. These limits are designed to provide reasonable protection against harmful interference when the equipment is operated in a commercial environment. This equipment generates, uses, and can radiate radio frequency energy and, if not installed and used in accordance with the instruction manual, may cause harmful interference to radio communications. Operation of this equipment in a residential area is likely to cause harmful interference in which case the user will be required to correct the interference at his own expense.

FCC Interference Statement for Class B EVM devices

This equipment has been tested and found to comply with the limits for a Class B digital device, pursuant to part 15 of the FCC Rules. These limits are designed to provide reasonable protection against harmful interference in a residential installation. This equipment generates, uses and can radiate radio frequency energy and, if not installed and used in accordance with the instructions, may cause harmful interference to radio communications. However, there is no guarantee that interference will not occur in a particular installation. If this equipment does cause harmful interference to radio or television reception, which can be determined by turning the equipment off and on, the user is encouraged to try to correct the interference by one or more of the following measures:

- Reorient or relocate the receiving antenna.
- Increase the separation between the equipment and receiver.
- Connect the equipment into an outlet on a circuit different from that to which the receiver is connected.
- Consult the dealer or an experienced radio/TV technician for help.

For EVMs annotated as IC – INDUSTRY CANADA Compliant

This Class A or B digital apparatus complies with Canadian ICES-003.

Changes or modifications not expressly approved by the party responsible for compliance could void the user's authority to operate the equipment.

Concerning EVMs including radio transmitters

This device complies with Industry Canada licence-exempt RSS standard(s). Operation is subject to the following two conditions: (1) this device may not cause interference, and (2) this device must accept any interference, including interference that may cause undesired operation of the device.

Concerning EVMs including detachable antennas

Under Industry Canada regulations, this radio transmitter may only operate using an antenna of a type and maximum (or lesser) gain approved for the transmitter by Industry Canada. To reduce potential radio interference to other users, the antenna type and its gain should be so chosen that the equivalent isotropically radiated power (e.i.r.p.) is not more than that necessary for successful communication.

This radio transmitter has been approved by Industry Canada to operate with the antenna types listed in the user guide with the maximum permissible gain and required antenna impedance for each antenna type indicated. Antenna types not included in this list, having a gain greater than the maximum gain indicated for that type, are strictly prohibited for use with this device.

Cet appareil numérique de la classe A ou B est conforme à la norme NMB-003 du Canada.

Les changements ou les modifications pas expressément approuvés par la partie responsable de la conformité ont pu vider l'autorité de l'utilisateur pour actionner l'équipement.

Concernant les EVMs avec appareils radio

Le présent appareil est conforme aux CNR d'Industrie Canada applicables aux appareils radio exempts de licence. L'exploitation est autorisée aux deux conditions suivantes : (1) l'appareil ne doit pas produire de brouillage, et (2) l'utilisateur de l'appareil doit accepter tout brouillage radioélectrique subi, même si le brouillage est susceptible d'en compromettre le fonctionnement.

Concernant les EVMs avec antennes détachables

Conformément à la réglementation d'Industrie Canada, le présent émetteur radio peut fonctionner avec une antenne d'un type et d'un gain maximal (ou inférieur) approuvé pour l'émetteur par Industrie Canada. Dans le but de réduire les risques de brouillage radioélectrique à l'intention des autres utilisateurs, il faut choisir le type d'antenne et son gain de sorte que la puissance isotrope rayonnée équivalente (p.i.r.e.) ne dépasse pas l'intensité nécessaire à l'établissement d'une communication satisfaisante.

Le présent émetteur radio a été approuvé par Industrie Canada pour fonctionner avec les types d'antenne énumérés dans le manuel d'usage et ayant un gain admissible maximal et l'impédance requise pour chaque type d'antenne. Les types d'antenne non inclus dans cette liste, ou dont le gain est supérieur au gain maximal indiqué, sont strictement interdits pour l'exploitation de l'émetteur.

【Important Notice for Users of EVMs for RF Products in Japan】

This development kit is NOT certified as Confirming to Technical Regulations of Radio Law of Japan

If you use this product in Japan, you are required by Radio Law of Japan to follow the instructions below with respect to this product:

1. Use this product in a shielded room or any other test facility as defined in the notification #173 issued by Ministry of Internal Affairs and Communications on March 28, 2006, based on Sub-section 1.1 of Article 6 of the Ministry's Rule for Enforcement of Radio Law of Japan,
2. Use this product only after you obtained the license of Test Radio Station as provided in Radio Law of Japan with respect to this product, or
3. Use of this product only after you obtained the Technical Regulations Conformity Certification as provided in Radio Law of Japan with respect to this product. Also, please do not transfer this product, unless you give the same notice above to the transferee. Please note that if you could not follow the instructions above, you will be subject to penalties of Radio Law of Japan.

Texas Instruments Japan Limited
(address) 24-1, Nishi-Shinjuku 6 chome, Shinjuku-ku, Tokyo, Japan

<http://www.tij.co.jp>

【無線電波を送信する製品の開発キットをお使いになる際の注意事項】

本開発キットは技術基準適合証明を受けておりません。

本製品のご使用に際しては、電波法遵守のため、以下のいずれかの措置を取っていただく必要がありますのでご注意ください。

1. 電波法施行規則第6条第1項第1号に基づく平成18年3月28日総務省告示第173号で定められた電波暗室等の試験設備でご使用いただく。
2. 実験局の免許を取得後ご使用いただく。
3. 技術基準適合証明を取得後ご使用いただく。

なお、本製品は、上記の「ご使用にあたっての注意」を譲渡先、移転先に通知しない限り、譲渡、移転できないものとします。

上記を遵守頂けない場合は、電波法の罰則が適用される可能性があることをご留意ください。

日本テキサス・インスツルメンツ株式会社
東京都新宿区西新宿 6 丁目 2 4 番 1 号
西新宿三井ビル

<http://www.tij.co.jp>

EVALUATION BOARD/KIT/MODULE (EVM) WARNINGS, RESTRICTIONS AND DISCLAIMERS

For Feasibility Evaluation Only, in Laboratory/Development Environments. Unless otherwise indicated, this EVM is not a finished electrical equipment and not intended for consumer use. It is intended solely for use for preliminary feasibility evaluation in laboratory/development environments by technically qualified electronics experts who are familiar with the dangers and application risks associated with handling electrical mechanical components, systems and subsystems. It should not be used as all or part of a finished end product.

Your Sole Responsibility and Risk. You acknowledge, represent and agree that:

1. You have unique knowledge concerning Federal, State and local regulatory requirements (including but not limited to Food and Drug Administration regulations, if applicable) which relate to your products and which relate to your use (and/or that of your employees, affiliates, contractors or designees) of the EVM for evaluation, testing and other purposes.
2. You have full and exclusive responsibility to assure the safety and compliance of your products with all such laws and other applicable regulatory requirements, and also to assure the safety of any activities to be conducted by you and/or your employees, affiliates, contractors or designees, using the EVM. Further, you are responsible to assure that any interfaces (electronic and/or mechanical) between the EVM and any human body are designed with suitable isolation and means to safely limit accessible leakage currents to minimize the risk of electrical shock hazard.
3. Since the EVM is not a completed product, it may not meet all applicable regulatory and safety compliance standards (such as UL, CSA, VDE, CE, RoHS and WEEE) which may normally be associated with similar items. You assume full responsibility to determine and/or assure compliance with any such standards and related certifications as may be applicable. You will employ reasonable safeguards to ensure that your use of the EVM will not result in any property damage, injury or death, even if the EVM should fail to perform as described or expected.
4. You will take care of proper disposal and recycling of the EVM's electronic components and packing materials.

Certain Instructions. It is important to operate this EVM within TI's recommended specifications and environmental considerations per the user guidelines. Exceeding the specified EVM ratings (including but not limited to input and output voltage, current, power, and environmental ranges) may cause property damage, personal injury or death. If there are questions concerning these ratings please contact a TI field representative prior to connecting interface electronics including input power and intended loads. Any loads applied outside of the specified output range may result in unintended and/or inaccurate operation and/or possible permanent damage to the EVM and/or interface electronics. Please consult the EVM User's Guide prior to connecting any load to the EVM output. If there is uncertainty as to the load specification, please contact a TI field representative. During normal operation, some circuit components may have case temperatures greater than 60°C as long as the input and output are maintained at a normal ambient operating temperature. These components include but are not limited to linear regulators, switching transistors, pass transistors, and current sense resistors which can be identified using the EVM schematic located in the EVM User's Guide. When placing measurement probes near these devices during normal operation, please be aware that these devices may be very warm to the touch. As with all electronic evaluation tools, only qualified personnel knowledgeable in electronic measurement and diagnostics normally found in development environments should use these EVMs.

Agreement to Defend, Indemnify and Hold Harmless. You agree to defend, indemnify and hold TI, its licensors and their representatives harmless from and against any and all claims, damages, losses, expenses, costs and liabilities (collectively, "Claims") arising out of or in connection with any use of the EVM that is not in accordance with the terms of the agreement. This obligation shall apply whether Claims arise under law of tort or contract or any other legal theory, and even if the EVM fails to perform as described or expected.

Safety-Critical or Life-Critical Applications. If you intend to evaluate the components for possible use in safety critical applications (such as life support) where a failure of the TI product would reasonably be expected to cause severe personal injury or death, such as devices which are classified as FDA Class III or similar classification, then you must specifically notify TI of such intent and enter into a separate Assurance and Indemnity Agreement.

IMPORTANT NOTICE

Texas Instruments Incorporated and its subsidiaries (TI) reserve the right to make corrections, enhancements, improvements and other changes to its semiconductor products and services per JESD46, latest issue, and to discontinue any product or service per JESD48, latest issue. Buyers should obtain the latest relevant information before placing orders and should verify that such information is current and complete. All semiconductor products (also referred to herein as "components") are sold subject to TI's terms and conditions of sale supplied at the time of order acknowledgment.

TI warrants performance of its components to the specifications applicable at the time of sale, in accordance with the warranty in TI's terms and conditions of sale of semiconductor products. Testing and other quality control techniques are used to the extent TI deems necessary to support this warranty. Except where mandated by applicable law, testing of all parameters of each component is not necessarily performed.

TI assumes no liability for applications assistance or the design of Buyers' products. Buyers are responsible for their products and applications using TI components. To minimize the risks associated with Buyers' products and applications, Buyers should provide adequate design and operating safeguards.

TI does not warrant or represent that any license, either express or implied, is granted under any patent right, copyright, mask work right, or other intellectual property right relating to any combination, machine, or process in which TI components or services are used. Information published by TI regarding third-party products or services does not constitute a license to use such products or services or a warranty or endorsement thereof. Use of such information may require a license from a third party under the patents or other intellectual property of the third party, or a license from TI under the patents or other intellectual property of TI.

Reproduction of significant portions of TI information in TI data books or data sheets is permissible only if reproduction is without alteration and is accompanied by all associated warranties, conditions, limitations, and notices. TI is not responsible or liable for such altered documentation. Information of third parties may be subject to additional restrictions.

Resale of TI components or services with statements different from or beyond the parameters stated by TI for that component or service voids all express and any implied warranties for the associated TI component or service and is an unfair and deceptive business practice. TI is not responsible or liable for any such statements.

Buyer acknowledges and agrees that it is solely responsible for compliance with all legal, regulatory and safety-related requirements concerning its products, and any use of TI components in its applications, notwithstanding any applications-related information or support that may be provided by TI. Buyer represents and agrees that it has all the necessary expertise to create and implement safeguards which anticipate dangerous consequences of failures, monitor failures and their consequences, lessen the likelihood of failures that might cause harm and take appropriate remedial actions. Buyer will fully indemnify TI and its representatives against any damages arising out of the use of any TI components in safety-critical applications.

In some cases, TI components may be promoted specifically to facilitate safety-related applications. With such components, TI's goal is to help enable customers to design and create their own end-product solutions that meet applicable functional safety standards and requirements. Nonetheless, such components are subject to these terms.

No TI components are authorized for use in FDA Class III (or similar life-critical medical equipment) unless authorized officers of the parties have executed a special agreement specifically governing such use.

Only those TI components which TI has specifically designated as military grade or "enhanced plastic" are designed and intended for use in military/aerospace applications or environments. Buyer acknowledges and agrees that any military or aerospace use of TI components which have **not** been so designated is solely at the Buyer's risk, and that Buyer is solely responsible for compliance with all legal and regulatory requirements in connection with such use.

TI has specifically designated certain components as meeting ISO/TS16949 requirements, mainly for automotive use. In any case of use of non-designated products, TI will not be responsible for any failure to meet ISO/TS16949.

Products

Audio	www.ti.com/audio
Amplifiers	amplifier.ti.com
Data Converters	dataconverter.ti.com
DLP® Products	www.dlp.com
DSP	dsp.ti.com
Clocks and Timers	www.ti.com/clocks
Interface	interface.ti.com
Logic	logic.ti.com
Power Mgmt	power.ti.com
Microcontrollers	microcontroller.ti.com
RFID	www.ti-rfid.com
OMAP Applications Processors	www.ti.com/omap
Wireless Connectivity	www.ti.com/wirelessconnectivity

Applications

Automotive and Transportation	www.ti.com/automotive
Communications and Telecom	www.ti.com/communications
Computers and Peripherals	www.ti.com/computers
Consumer Electronics	www.ti.com/consumer-apps
Energy and Lighting	www.ti.com/energy
Industrial	www.ti.com/industrial
Medical	www.ti.com/medical
Security	www.ti.com/security
Space, Avionics and Defense	www.ti.com/space-avionics-defense
Video and Imaging	www.ti.com/video

TI E2E Community

e2e.ti.com

Looking for pricing, stock, or lifecycle information?

Click below to explore more details on WIN SOURCE:

 [View BQ27505EVM](#) on WIN SOURCE

 [Texas Instruments](#) Information

Optimize Your Supply Chain with WIN SOURCE Solutions

-  Global Sourcing Solution
-  Obsolete Management
-  Cost Control Management
-  Shortage Management
-  Alternative Solution
-  Excess Inventory Management