

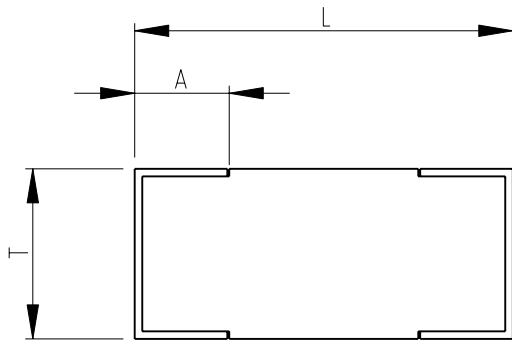
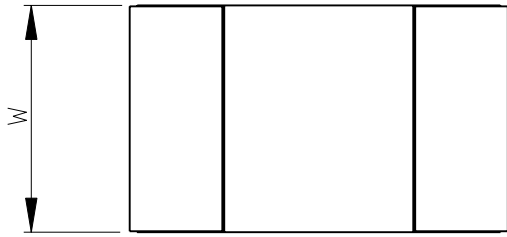


**THE DATASHEET OF  
BMB2A0120AN4**



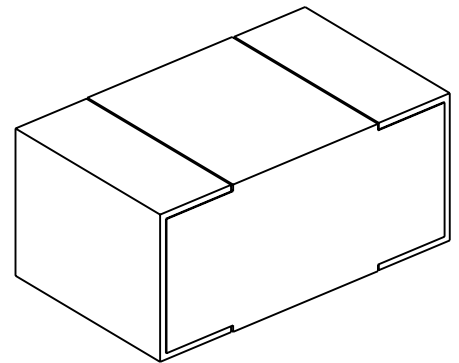
|     |      |           |     |                               |           |     |      |
|-----|------|-----------|-----|-------------------------------|-----------|-----|------|
| LOC | DIST | REVISIONS |     |                               |           |     |      |
| E   | B    | P         | LTR | DESCRIPTION                   | DATE      | DWN | APVD |
|     |      |           |     | BA1 REVISED PER ECO-11-005150 | 28MAR2011 | RK  | HMR  |

FOR FURTHER INFORMATION SEE DATA SHEET FOR BMB SERIES-MULTILAYER FERRITE BEADS



RoHS Compliant

BMB-A,BMB-B,BMB-L,BMB-R 0805 AND BMB-P 0805 SERIES AS SHOWN



|            |          |          |          |          |
|------------|----------|----------|----------|----------|
| BMB-P 0805 |          |          |          |          |
| BMB-R 0805 |          |          |          |          |
| BMB-L 0805 | 2.0±0.20 | 1.2±0.20 | 0.9±0.20 | 0.5±0.30 |
| BMB-B 0805 |          |          |          |          |
| BMB-A 0805 |          |          |          |          |
| SERIES     | L        | W        | T        | A        |

2008

RELEASED FOR PUBLICATION

ALL RIGHTS RESERVED.

BY -

© COPYRIGHT 2008

THIS DRAWING IS UNPUBLISHED.

|  |                  |           |   |               |
|--|------------------|-----------|---|---------------|
| DIMENSIONS:                            | DWN              | 15-Sep-08 | MATERIAL  | FINISH        |
| mm                                     | SUBHASH.M        |           | -   | -             |
| TOLERANCES UNLESS OTHERWISE SPECIFIED: | CHK              | 15-Sep-08 | TE Connectivity                                     |               |
| 0 PLC ±0.5                             | ALLAN.P          |           |   |               |
| 1 PLC ±0.2                             | APVD             | 15-Sep-08 | NAME<br>MULTILAYER FERRITE BEADS<br>SERIES BMB 0805 |               |
| 2 PLC ±0.1                             | STEPHEN.P        |           |   |               |
| 3 PLC ±                                | PRODUCT SPEC     |           | SIZE  | CAGE CODE     |
| 4 PLC ±                                | -                |           | A 4   | 00779         |
| ANGLES ±5°                             | APPLICATION SPEC |           | DRAWING NO  | RESTRICTED TO |
|  | -                |           | ©=1624117   | -             |
|  | WEIGHT           |           | CUSTOMER DRAWING                                    |               |
|  | -                |           | SCALE   | SHEET         |
|  |                  |           | 25:1  | 1 OF 1        |
|  |                  |           |   | REV BA1       |

## Looking for pricing, stock, or lifecycle information?

Click below to explore more details on WIN SOURCE:

- ⊖ [View BMB2A0120AN4](#) on WIN SOURCE
- ⊖ [TE Connectivity](#) Information

## Optimize Your Supply Chain with WIN SOURCE Solutions

- ✓ Global Sourcing Solution
- ✓ Obsolete Management
- ✓ Cost Control Management
- ✓ Shortage Management
- ✓ Alternative Solution
- ✓ Excess Inventory Management