



**THE DATASHEET OF
38BM0-550**



SERIES 38BM AND 38BC Sub-Miniature Surface Mount

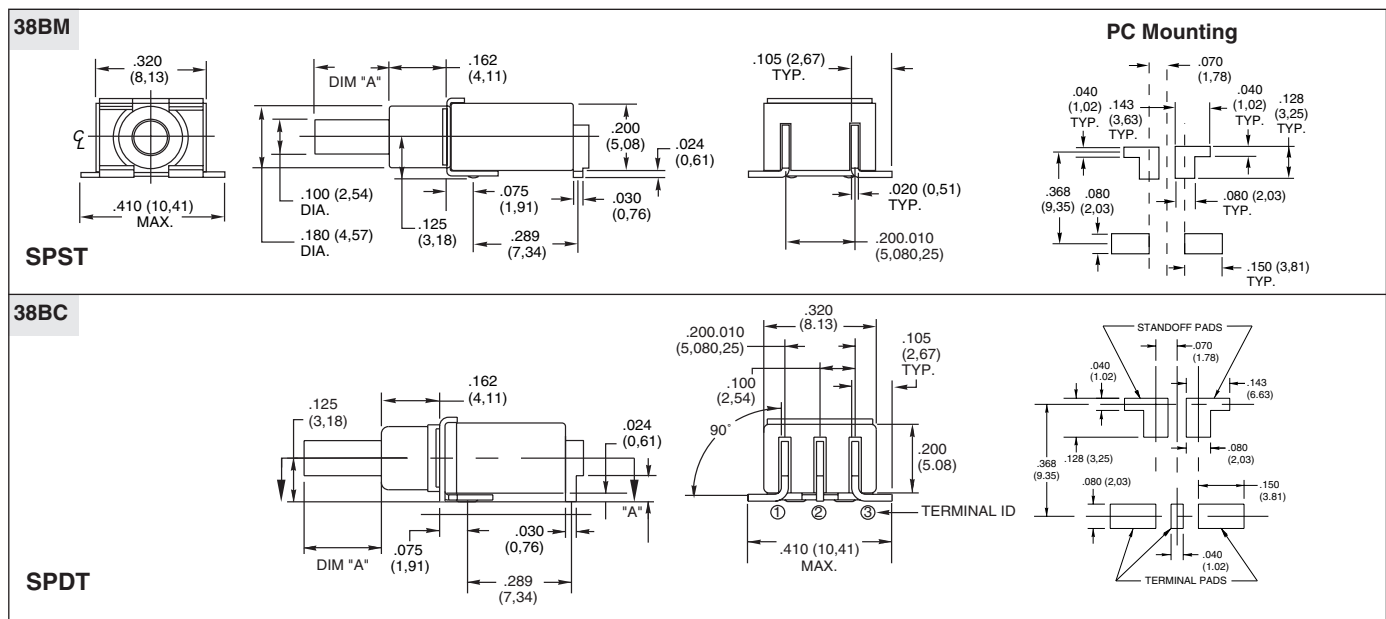
FEATURES

- Surface Mount Process Compatible
- Sealed Construction
- SPST and SPDT, Momentary Contact
- Extended or Flush Plunger
- Drop-In Replacement for Industry Standard



SPECIFICATIONS

DIMENSIONS in inches (and millimeters)



Rating Criteria

Operating Life: 80,000 make-and-break cycles at full load

Contact Rating (resistive load):

Gold Contacts: 0.4 VA maximum at 20 Vac or Vdc maximum

Silver Contacts: 1.0 Amps maximum at 120 Vac or 28 Vdc

Contact Resistance: Below 20 milliohms typical initial at 2-4 Vdc, 100 mA

Insulation Resistance: 1000 megaohms min.

Voltage Breakdown: 1000 Vrms minimum at sea level

Operating Temperature: -30°C to +85°C

Solderability: Per MIL-STD-202F, Method 208D, or EIA RS-186E Method 9 (1 hour steam aging)

Materials and Finishes

Base and Cover: Thermoplastic (UL 94V-0)

Plunger: Thermoplastic (UL 94V-0), with standard internal o-ring seal

Terminals: Copper alloy, gold plate over nickel plate

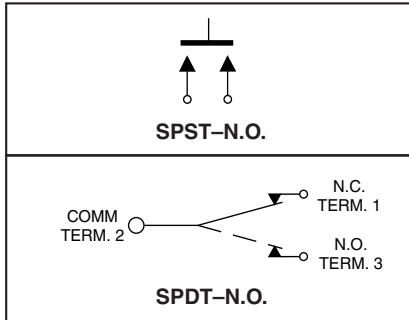
Spring: Plated Music Wire

Contact System: Copper alloy, gold or silver plate (as specified) over nickel plate

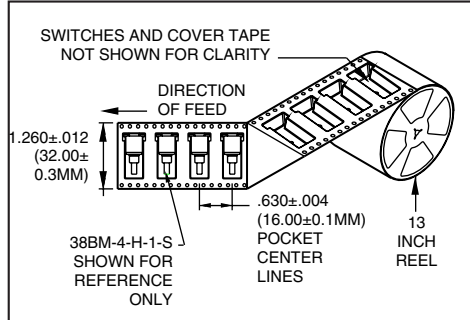
Switch Support: Brass, tin-plated

SERIES 38BM AND 38BC Sub-Miniature Surface Mount

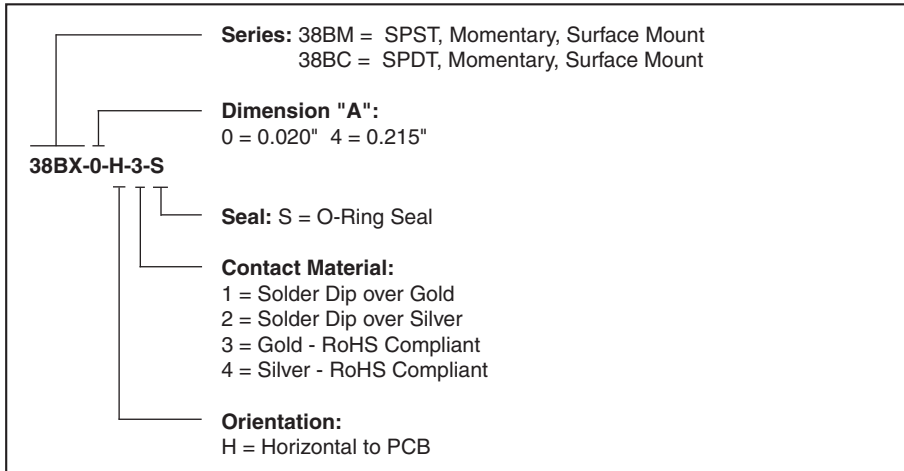
CIRCUITRY



TAPE AND REEL PACKAGING





ORDERING INFORMATION



Pushbutton Switches

Looking for pricing, stock, or lifecycle information?

Click below to explore more details on WIN SOURCE:

-  [View 38BM0-550 on WIN SOURCE](#)
-  [Grayhill Inc. Information](#)

Optimize Your Supply Chain with WIN SOURCE Solutions

-  Global Sourcing Solution
-  Obsolete Management
-  Cost Control Management
-  Shortage Management
-  Alternative Solution
-  Excess Inventory Management