



**THE DATASHEET OF
FDD1-17251CBLW33-56**





IP56M



Fan-S Division



Features:

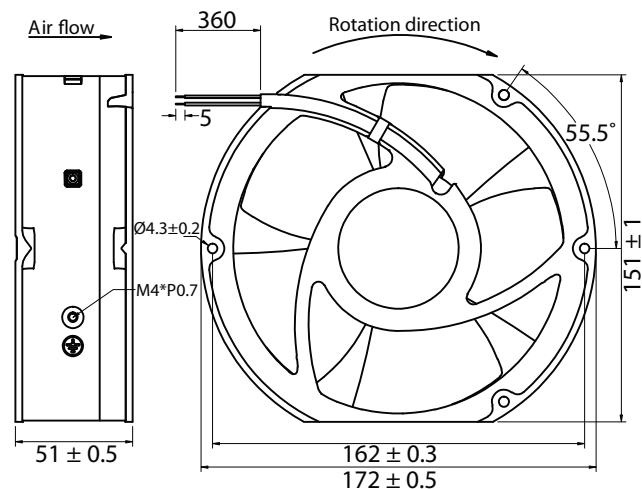
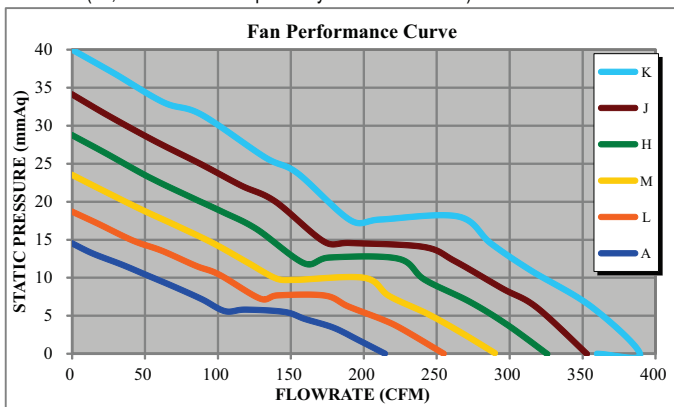
- Motor: Brushless DC
- Motor Protection: IC
- Bearing Type: Two Ball
- Connection: UL 1007 AWG 22, 360mm Wire Leads
- Frame Material: Aluminum Alloy
- Impeller Material: Plastic UL94V-0
- **IP56M Certified**
- Operating Temp:
 - Two Ball: -20°C~70°C
- Life Expectancy:
 - Two Ball: 50,000 Hours
 - Two Ball: 100,000 Hours (-L)

Model No.	Volt.	Current	Power	Rated Speed	Maximum AirFlow		Maximum Static Pressure		Noise Level	Weight
	(VDC)	(A)	(W)	(rpm)	(CMM)	(CFM)	(InAq)	(mmAq)	(dB/A)	(g)
FDD1-17251CBAW3 * #	12	1.31	15.72	2800	6.23	220	0.571	14.5	52.0	1070
FDD1-17251CBLW3 * #	12	1.88	22.56	3200	7.22	255	0.736	18.7	56.0	1070
FDD1-17251CBMW3 * #	12	2.75	33.00	3600	8.21	290	0.925	23.5	60.0	1070
FDD1-17251CBHW3 * #	12	3.73	44.76	4000	9.20	325	1.134	28.8	64.0	1070
FDD1-17251DBAW3 * #	24	0.65	15.60	2800	6.23	220	0.571	14.5	52.0	1070
FDD1-17251DBLW3 * #	24	0.89	21.36	3200	7.22	255	0.736	18.7	56.0	1070
FDD1-17251DBMW3 * #	24	1.21	29.04	3600	8.21	290	0.925	23.5	60.0	1070
FDD1-17251DBHW3 * #	24	1.69	40.56	4000	9.20	325	1.134	28.8	64.0	1070
FDD1-17251DBJW3 * #	24	2.41	57.84	4400	10.10	355	1.343	34.1	68.0	1070
FDD1-17251DBKW3 * #	24	2.94	70.56	4800	11.00	390	1.587	40.3	72.0	1070
FDD1-17251EBAW3 * #	48	0.33	15.84	2800	6.23	220	0.571	14.5	52.0	1070
FDD1-17251EBLW3 * #	48	0.45	21.60	3200	7.22	255	0.736	18.7	56.0	1070
FDD1-17251EBMW3 * #	48	0.60	28.80	3600	8.21	290	0.925	23.5	60.0	1070
FDD1-17251EBHW3 * #	48	0.79	37.92	4000	9.20	325	1.134	28.8	64.0	1070
FDD1-17251EBJW3 * #	48	1.15	55.20	4400	10.10	355	1.343	34.1	68.0	1070
FDD1-17251EBKW3 * #	48	1.48	71.04	4800	11.00	390	1.587	40.3	72.0	1070

* Indicates "2" (No Special Function), "3" (Alarm), "4" (Speed Sensor), "9" (PWM), "B" (PWM + Speed Sensor) or "C" (Alarm + Speed Sensor)

Indicates "-L56" (100,000 Hours Life Expectancy and IP56M Rated) or "-56" (50,000 Hours Life Expectancy and IP56M Rated)

Noise is measured at the distance of one (1) meter from the axis of intake.



Looking for pricing, stock, or lifecycle information?

Click below to explore more details on WIN SOURCE:

 [View FDD1-17251CBLW33-56 on WIN SOURCE](#)

 [Qualtek Information](#)

Optimize Your Supply Chain with WIN SOURCE Solutions

-  Global Sourcing Solution
-  Obsolete Management
-  Cost Control Management
-  Shortage Management
-  Alternative Solution
-  Excess Inventory Management