



**THE DATASHEET OF
SSX-750PBF4800000T**

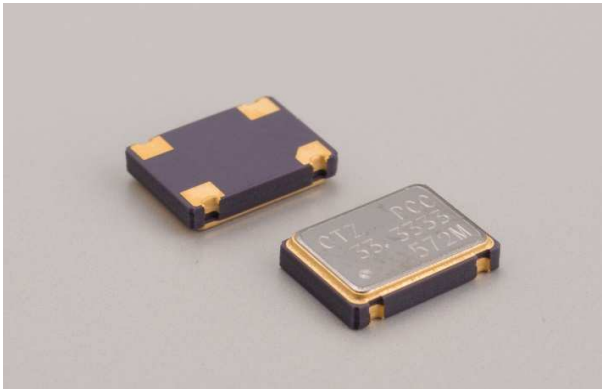


PROGRAMMABLE OSCILLATORS (SMD · Ceramic Package)

RoHS compliant / Pb free

SSX-750P

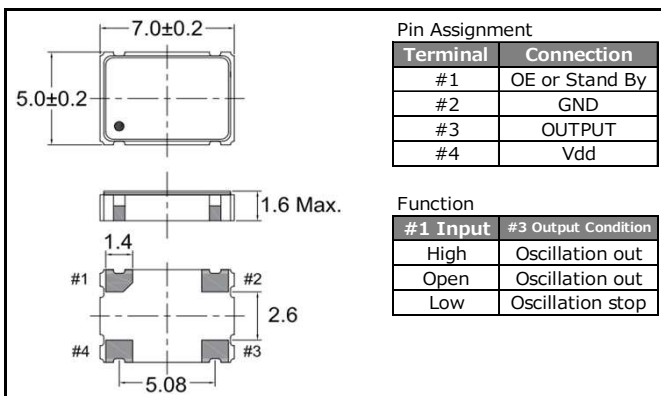
2,000pcs/reel



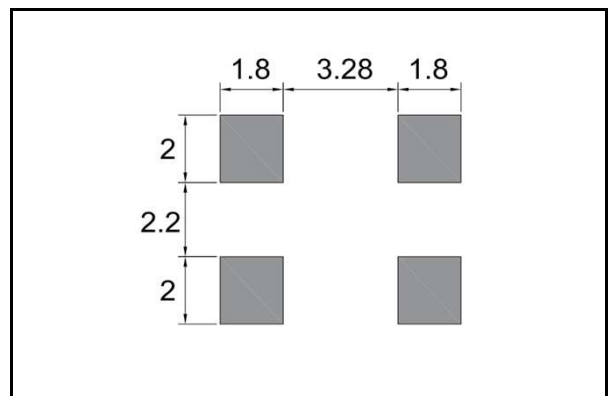
■ FEATURES

- Programmable type
- Frequency range : 1.0 ~ 125MHz
- External dimensions (mm)
L : 7.0 x W : 5.0 x H : 1.6
- Applications
Consumer products

■ DIMENSION [mm]



■ SOLDER PAD LAYOUT [mm]

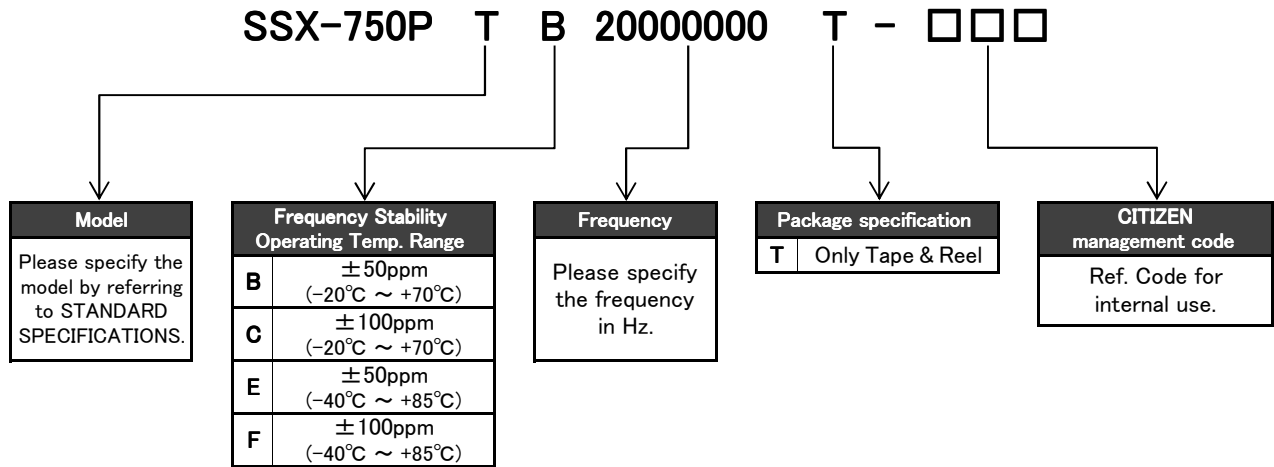


■ STANDARD SPECIFICATIONS

*Model is determined by selection of OE/ST functions, frequency stability, and supply voltage.

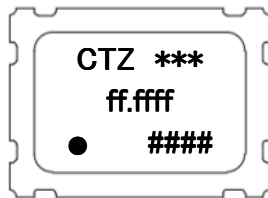
Item	Model	OE	SSX-750PT (*)	SSX-750PC (*)	SSX-750PB (*)
		STAND-BY	SSX-750PK (*)	SSX-750PD (*)	SSX-750PJ (*)
Frequency Range	1.000MHz ~ 125.000MHz				
Supply Voltage	Vdd: 5.0V±0.5V			Vdd: 3.3V±0.3V	
Frequency Stability	(*) B: ±50ppm(-20°C ~ +70°C), C: ±100ppm(-20°C ~ +70°C) E: ±50ppm(-40°C ~ +85°C), F: ±100ppm(-40°C ~ +85°C)				
Operating Temperature Range	-20°C ~ +70°C / (-40°C ~ +85°C)				
Storage Temperature Range	-55°C ~ +125°C				
Current consumption	45mA Max.			28mA Max.	
Duty	TTL level (1.4V)	40~60%		—	
	CMOS level (1/2 Vdd)	—		40~60%	
Output Voltage	V _{OH}	Vdd-0.4V Min.			
	V _{OL}	0.4V Max.			
Output Load	TTL	5TTL Max.		—	
	CMOS	—		25pF Max.	15pF Max.
Rise and Fall Time	4 nsec Max.				
Start-up time	10 msec Max.				
Input Voltage	V _{IH}	2.0V Min.			0.7Vdd Min.
	V _{IL}	0.8V Max.			0.2Vdd Max.
Disable current	30mA Max.			16mA Max.	
Stand-by current	50 μA Max.				

■ PART NUMBERING SYSTEM



*Please contact us for specifications available.

■ Part Marking [standard]



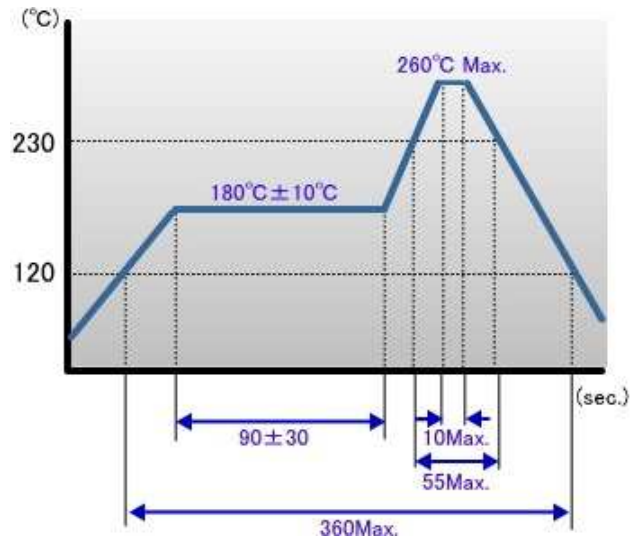
CTZ : Manufacturer's ID Code

*** : Model

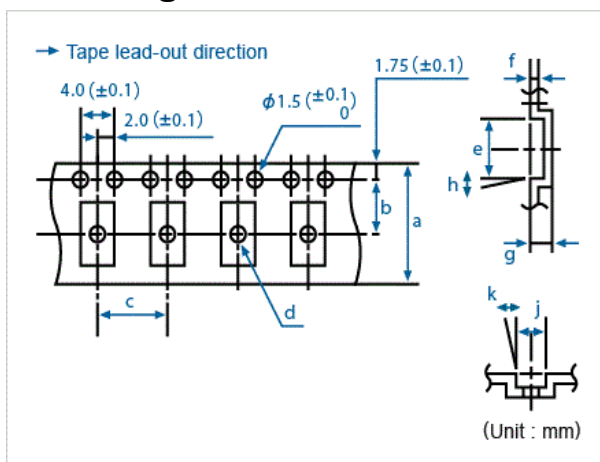
f : Frequency

: Production Lot No.

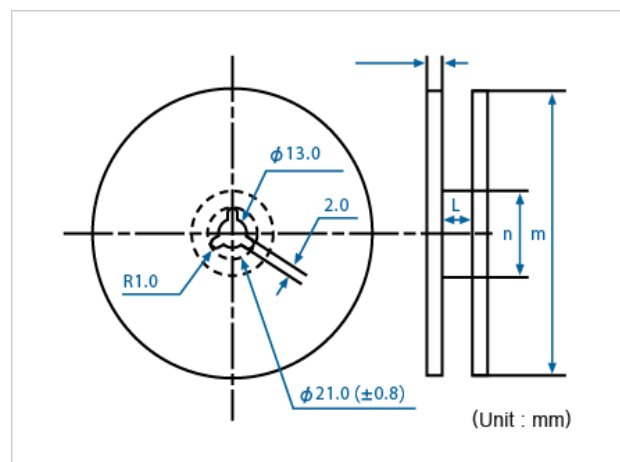
■ Reflow profile



■ Packing



Conforming to JIS C 0806 TB1208NEIAJ and RC-1009B TE1208N



Conforming to JIS C 0806 R12R and EIAJ RC-1009B R15

Q'ty/reel	a	b	c	d (φ)	e	f	g	h	j	k	l	m (φ)	n (φ)
2,000	16.0	7.5	8.0	1.55	7.4	0.3	2.0	5°	5.4	5°	17.5	254	100

Product specifications are subject to change without notice.

Rev.2

Looking for pricing, stock, or lifecycle information?

Click below to explore more details on WIN SOURCE:

-  [View SSX-750PBF4800000T on WIN SOURCE](#)
-  [Citizen Finedevice Co Ltd Information](#)

Optimize Your Supply Chain with WIN SOURCE Solutions

-  Global Sourcing Solution
-  Obsolete Management
-  Cost Control Management
-  Shortage Management
-  Alternative Solution
-  Excess Inventory Management