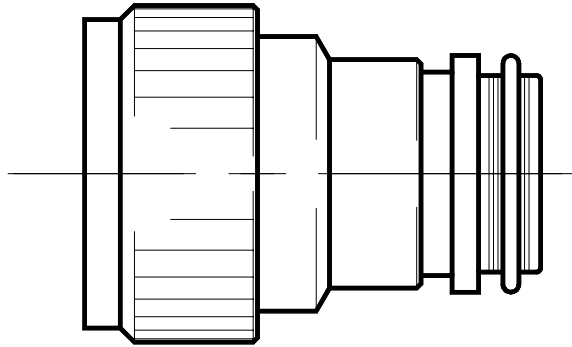


REVISIONS			
LTR	DESCRIPTION	DATE	APPROVED
N/C	INITIAL ISSUE	SEP 97	KJW



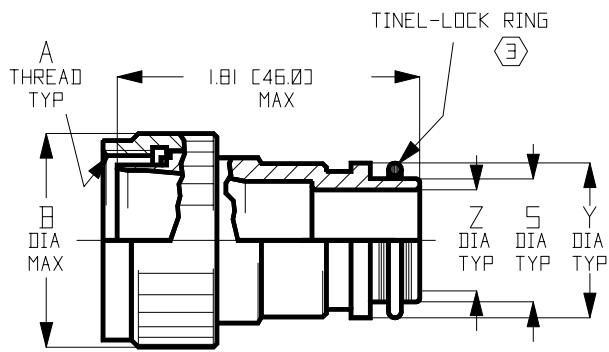
CODE 58 TINEL-LOCK ADAPTER

NOTES:

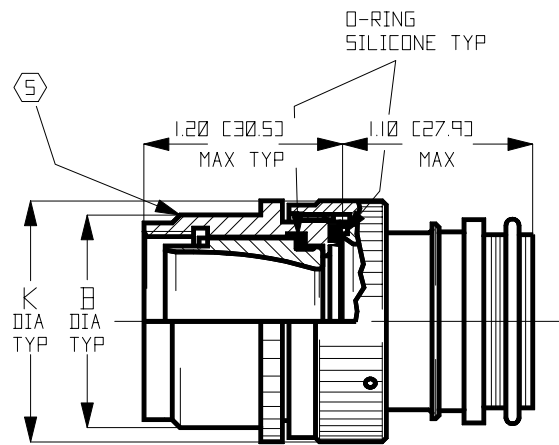
1. THIS PRODUCT IS DESIGNED TO TERMINATE A BRAIDED CABLE SHIELD AND A HEAT SHRINKABLE LIPPED BOOT TO A CONNECTOR.
2. SEE CHØØ-Ø25Ø-ØØØ FOR ORDERING INFORMATION, MODIFICATIONS AND ADDITIONAL DIMENSIONS.
- ③ SEE DRAWING TR FOR DETAIL ON TINEL-LOCK RING. RINGS ARE DESIGNED TO BE HEATED ELECTRICALLY. ALL RINGS ARE MARKED WITH THERMOCHROMIC PAINT WHICH CHANGES COLOUR WHEN INSTALLATION TEMPERATURE IS REACHED.
4. ADAPTER TO BE PERMANENTLY MARKED WITH CODE IDENTIFICATION NUMBER AND PART NUMBER LESS RING DESIGNATOR. (e.g. Ø6Ø9Ø-TXR58AØØØ-2Ø12). RING SHALL BEAR NO MARKING.
- ⑤ FOR LARGER ENTRY SIZES, A 2 PIECE ADAPTER (TYPE II) IS SUPPLIED.
- ⑥ ADAPTOR MATES TO: ITT CANNON M531ØØ, M531Ø1, M531Ø6 AND M531Ø8 CONNECTORS, CLASSES E, F AND R LESS ACCESSORIES, TO MIL-C-5Ø15Ø.

SPECIFICATION CONTROL DRAWING

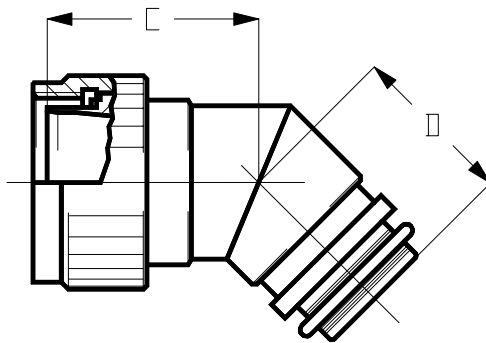
UNLESS OTHERWISE SPECIFIED DIMENSIONS ARE IN INCHES. METRIC DIMENSIONS ARE IN BRACKETS. DECIMALS .X # --- [MM] .XX # --- [MM] .XXX # --- [MM] ANGLES .X # ---	DRAWN IRT	DATE SEP 97		RAYCHEM CORPORATION 300 CONSTITUTION DRIVE MENLO PARK CALIFORNIA 94025		
	CHECKED KJW	DATE SEP 97		TITLE TINEL-LOCK™ ADAPTER		
	APPROVED KJW	DATE SEP 97				
	APPROVED KJW	DATE SEP 97				
	CAD NAME TXR58SCD-1					
THIRD ANGLE PROJECTION 	SIZE A	CODE IDENT. NO. Ø6Ø9Ø	DWG. NO. TXR58	REV N/C	DO NOT SCALE THIS DWG	SHEET 1 OF 3



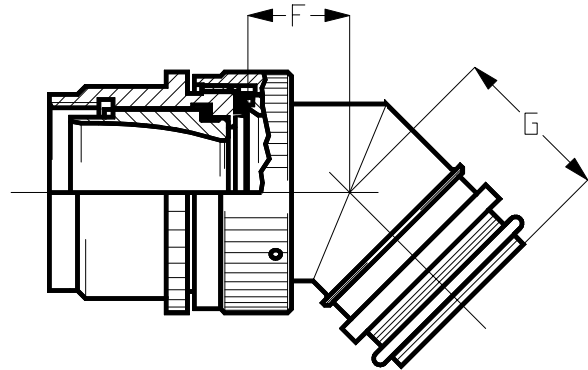
STRAIGHT ADAPTER - TYPE I



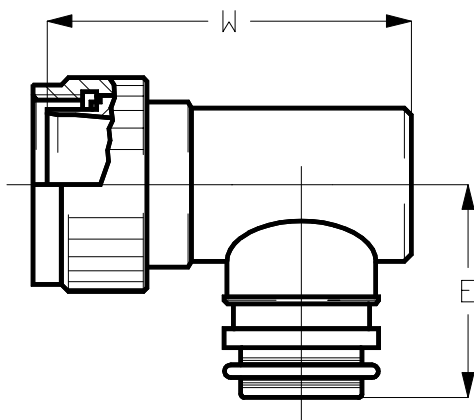
STRAIGHT ADAPTER - TYPE II



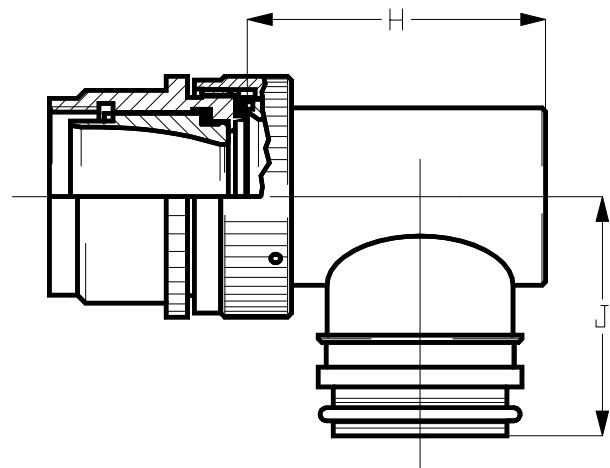
45# ADAPTER - TYPE I



45# ADAPTER - TYPE II



90# ADAPTER - TYPE I



90# ADAPTER - TYPE II

SIZE	CODE IDENT. NO.	DWG. NO.	REV
A	06090	TXR58	N/C
DO NOT SCALE THIS DWG		SHEET 2 OF 3	
TXR58SCD-2			


ORDER NO.	SHELL SIZE Ⓟ	MAX ENTRY SIZE TYPE I Ⓢ	A UNIFIED THREAD CLASS 2B	B DIA MAX	C MAX	D MAX	E MAX
10	105L	05	0.5625"-24 UNEF	.79 [20.1]	.77 [19.5]	.89 [22.5]	1.06 [27.0]
12	12 & 125	05	0.6250"-24 UNEF	.92 [23.4]	.85 [21.5]	.89 [22.5]	1.10 [28.0]
14	145	07	0.7500"-20 UNEF	.98 [24.9]	.89 [22.5]	.91 [23.0]	1.12 [28.5]
16	16 & 165	08	0.8750"-20 UNEF	1.09 [27.7]	.93 [23.5]	.93 [23.5]	1.18 [30.0]
18	18	08	1.0000"-20 UNEF	1.23 [31.2]	1.24 [31.5]	.93 [23.5]	1.20 [30.5]
20	20	12	1.1250"-18 UNEF	1.41 [35.7]	1.26 [32.0]	.98 [25.0]	1.30 [33.0]
22	22	12	1.2500"-18 UNEF	1.53 [38.9]	1.30 [33.0]	1.00 [25.5]	1.32 [33.5]
24	24	16	1.3750"-18 UNEF	1.65 [42.0]	1.32 [33.5]	1.02 [26.0]	1.42 [36.0]
28	28	18	1.6250"-18 UNEF	1.91 [48.4]	1.38 [35.0]	1.06 [27.0]	1.48 [37.5]
32	32	20	1.8750"-16 UN	2.15 [54.7]	1.44 [36.5]	1.10 [28.0]	1.57 [40.0]
36	36	22	2.1250"-16 UN	2.70 [68.6]	1.50 [38.0]	1.14 [29.0]	1.77 [45.0]

ENTRY SIZE	Z DIA +0.010 -0.020 [+0.25] [-0.50]	S DIAMETER	Y DIA #015 [#0.38]	W MAX	F MAX	G MAX	H MAX	J MAX	K MAX
04	.250 [6.35]	.376 [9.56] .370 [9.39]	.550 [13.97]	1.71 [43.5]	N/A	N/A	N/A	N/A	N/A
05	.312 [7.92]	.438 [11.13] .432 [10.97]	.612 [15.54]	1.75 [44.5]	N/A	N/A	N/A	N/A	N/A
06	.375 [9.52]	.501 [12.73] .495 [12.57]	.675 [17.14]	1.81 [46.0]	.77 [19.6]	.93 [23.6]	1.19 [30.2]	1.16 [29.5]	.80 [20.3]
07	.437 [11.09]	.563 [14.31] .556 [14.12]	.737 [18.71]	1.87 [47.5]	.80 [20.3]	.95 [24.1]	1.38 [35.1]	1.22 [31.0]	.92 [23.4]
08	.500 [12.70]	.626 [15.91] .619 [15.72]	.800 [20.32]	1.95 [49.5]	.80 [20.3]	.95 [24.1]	1.38 [35.1]	1.22 [31.0]	.92 [23.4]
10	.625 [15.87]	.752 [19.11] .742 [18.84]	.925 [23.49]	2.07 [52.5]	.84 [21.3]	1.00 [25.4]	1.51 [38.4]	1.35 [34.3]	1.18 [30.0]
12	.750 [19.05]	.877 [22.28] .867 [22.02]	1.050 [26.67]	2.19 [55.5]	.86 [21.8]	1.01 [25.7]	1.63 [41.4]	1.40 [35.6]	1.35 [34.3]
14	.875 [22.23]	1.002 [25.46] .991 [25.17]	1.175 [29.84]	2.32 [59.0]	.88 [22.4]	1.04 [26.4]	1.78 [45.2]	1.46 [37.1]	1.41 [35.8]
16	1.000 [25.40]	1.127 [28.63] 1.116 [28.34]	1.300 [33.02]	2.44 [62.0]	.91 [23.1]	1.06 [26.9]	1.88 [47.8]	1.53 [38.9]	1.60 [40.6]
18	1.125 [28.57]	1.252 [31.81] 1.241 [31.52]	1.425 [36.19]	2.56 [65.0]	.93 [23.6]	1.09 [27.7]	2.01 [51.1]	1.59 [40.4]	1.66 [42.2]
20	1.250 [31.75]	1.377 [34.98] 1.366 [34.69]	1.550 [39.37]	2.72 [69.0]	.98 [24.9]	1.13 [28.7]	2.13 [54.1]	1.78 [45.2]	2.04 [51.8]
22	1.375 [34.93]	1.502 [38.15] 1.488 [37.79]	1.675 [42.55]	2.80 [71.0]	1.03 [26.2]	1.38 [35.1]	2.29 [58.2]	1.85 [47.0]	2.23 [56.6]
24	1.500 [38.10]	1.627 [41.33] 1.613 [40.97]	1.800 [45.72]	N/A	1.08 [27.4]	1.44 [36.6]	2.42 [61.5]	1.92 [48.8]	2.23 [56.6]

SIZE A	CODE IDENT. NO. 06090	DWG. NO. TXR58	REV N/C
DO NOT SCALE THIS DWG		SHEET 3 OF 3	

Looking for pricing, stock, or lifecycle information?

Click below to explore more details on WIN SOURCE:

 [View TXR58AB00-2404AI](#) on WIN SOURCE

 [TE Connectivity](#) Information

Optimize Your Supply Chain with WIN SOURCE Solutions

-  Global Sourcing Solution
-  Obsolete Management
-  Cost Control Management
-  Shortage Management
-  Alternative Solution
-  Excess Inventory Management