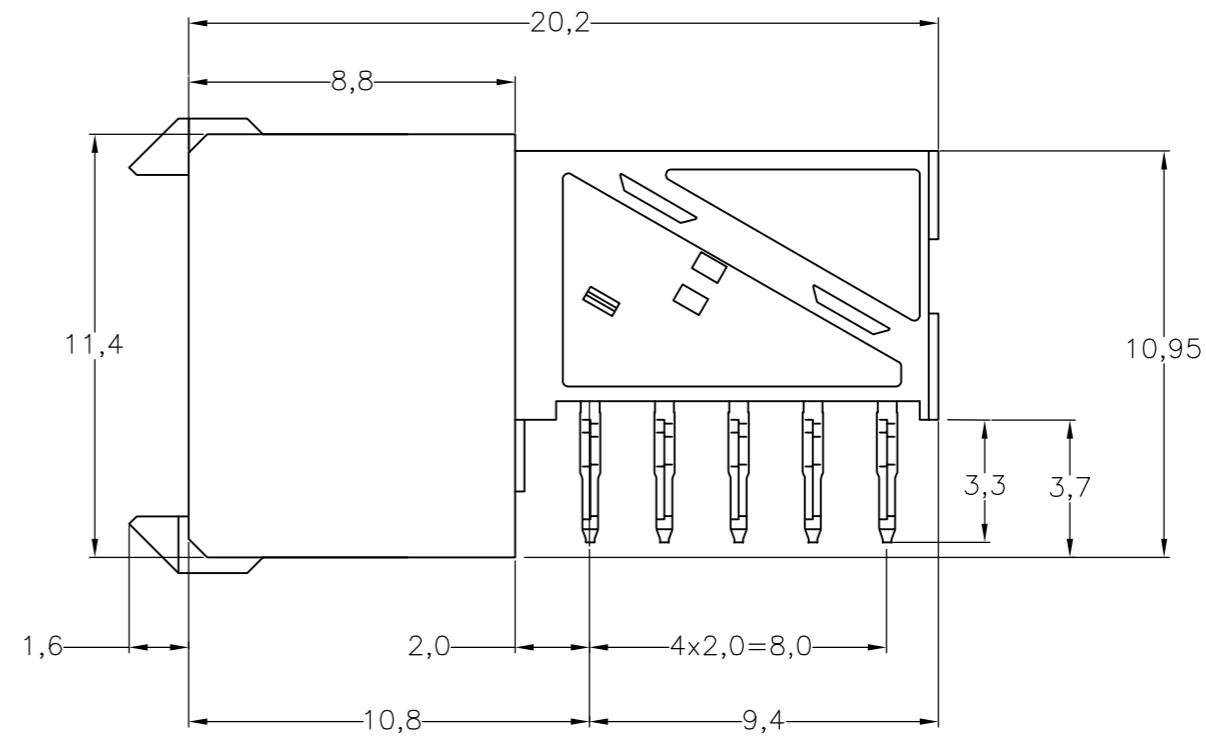
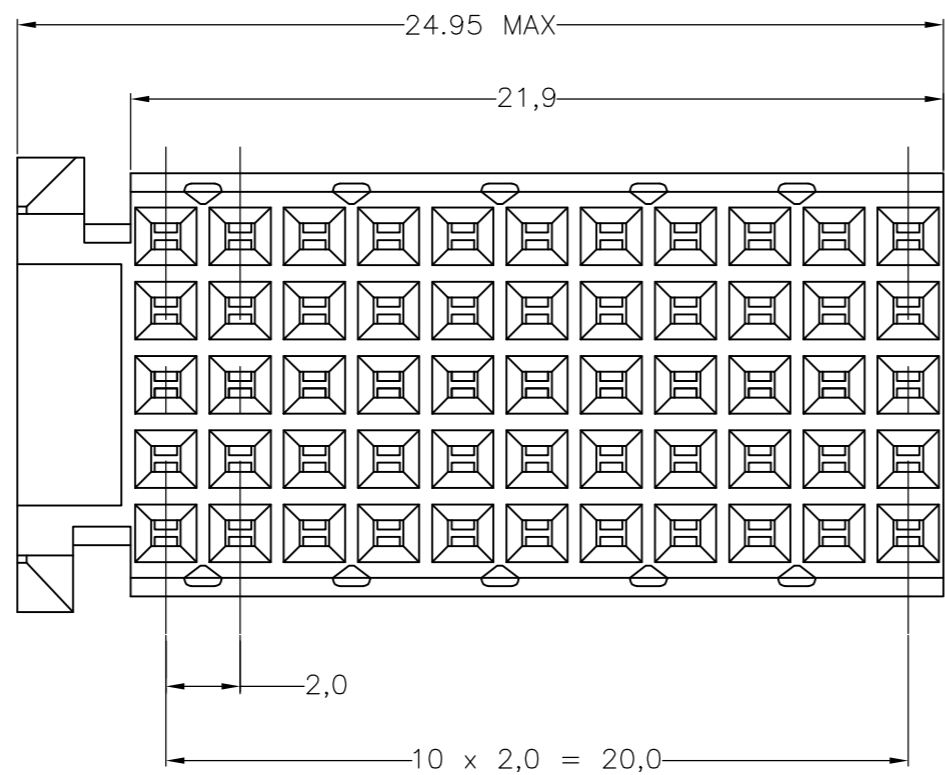
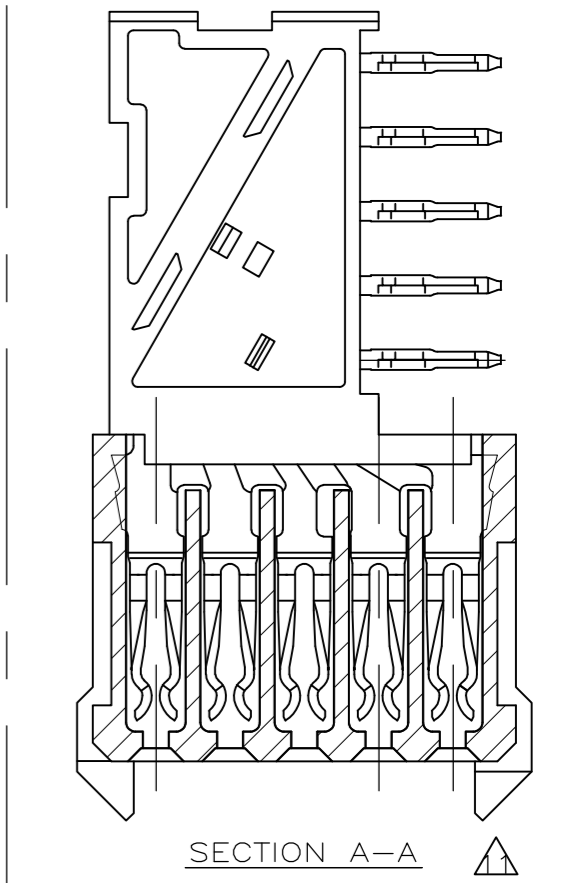
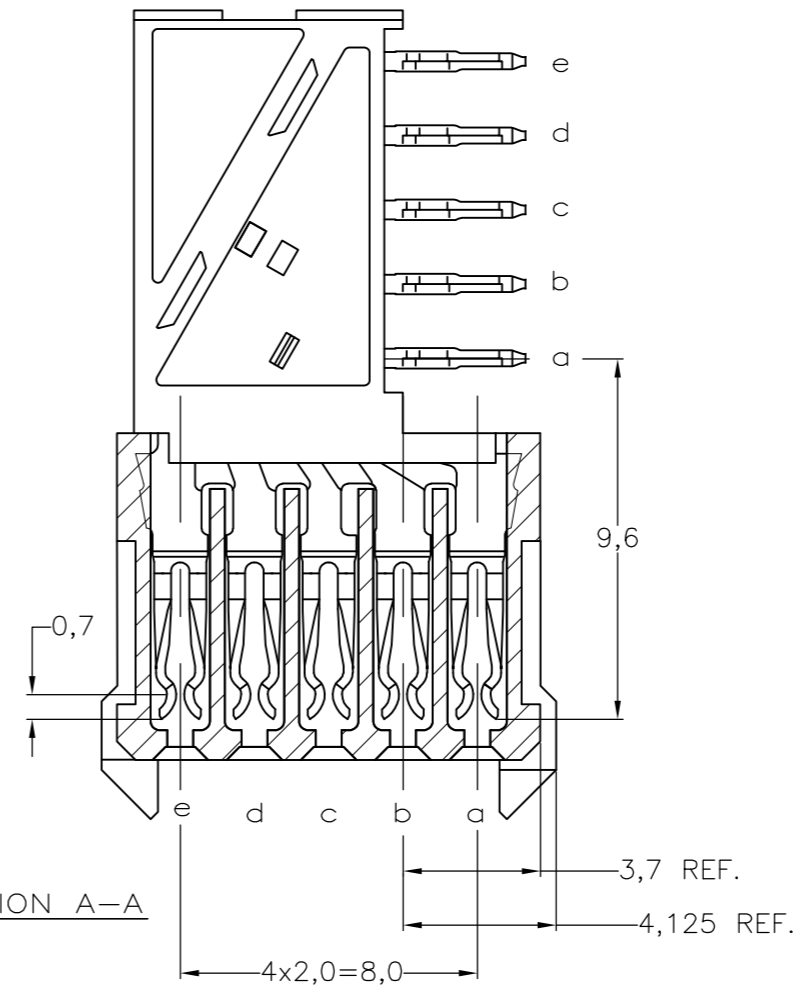
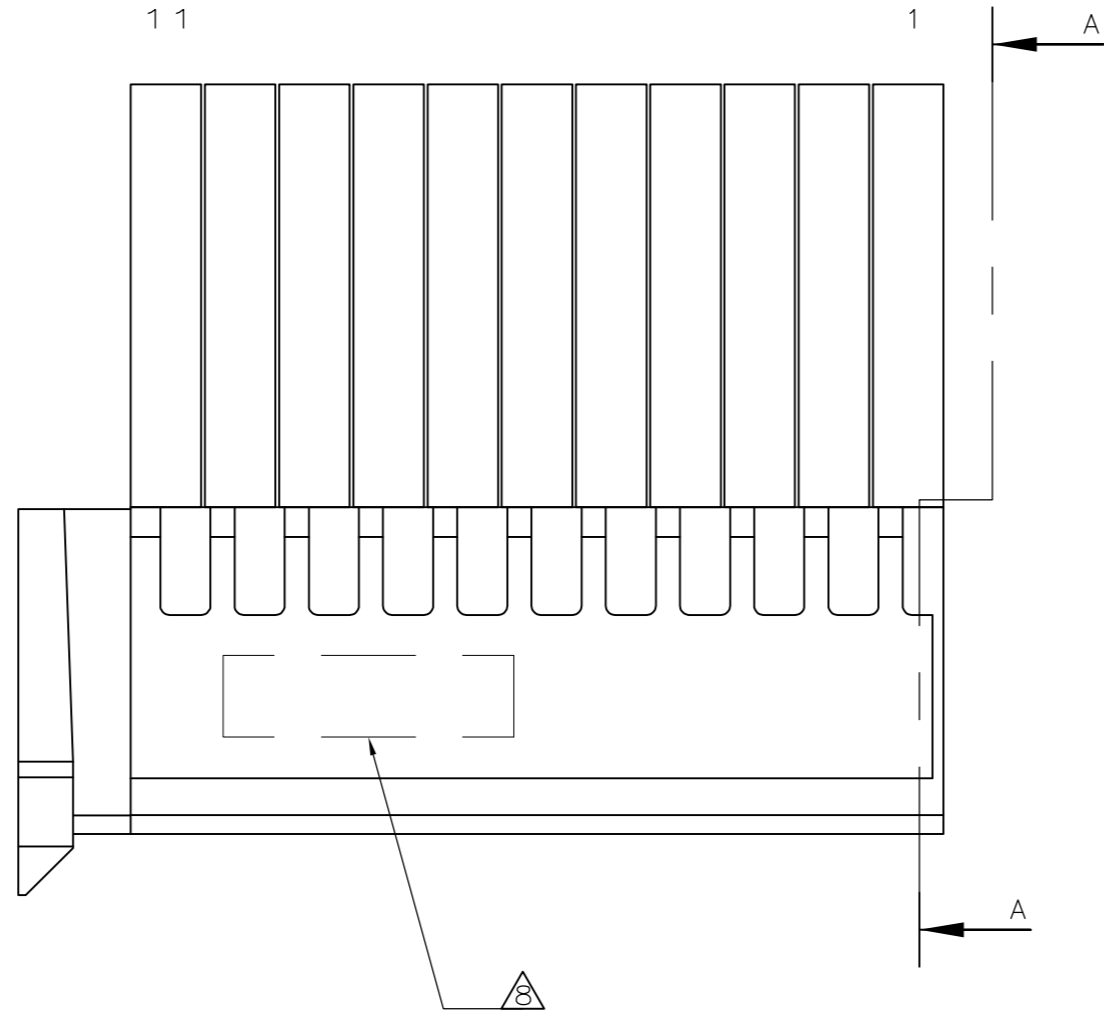
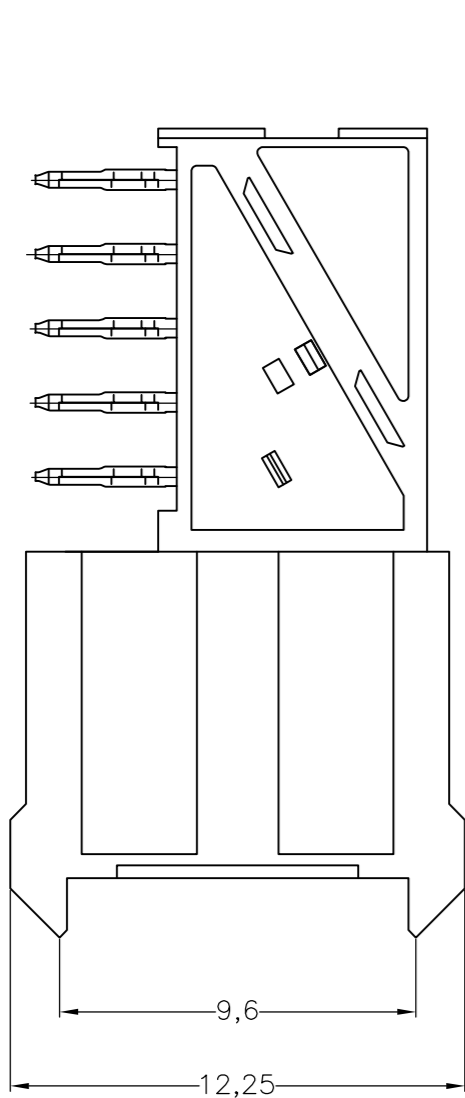


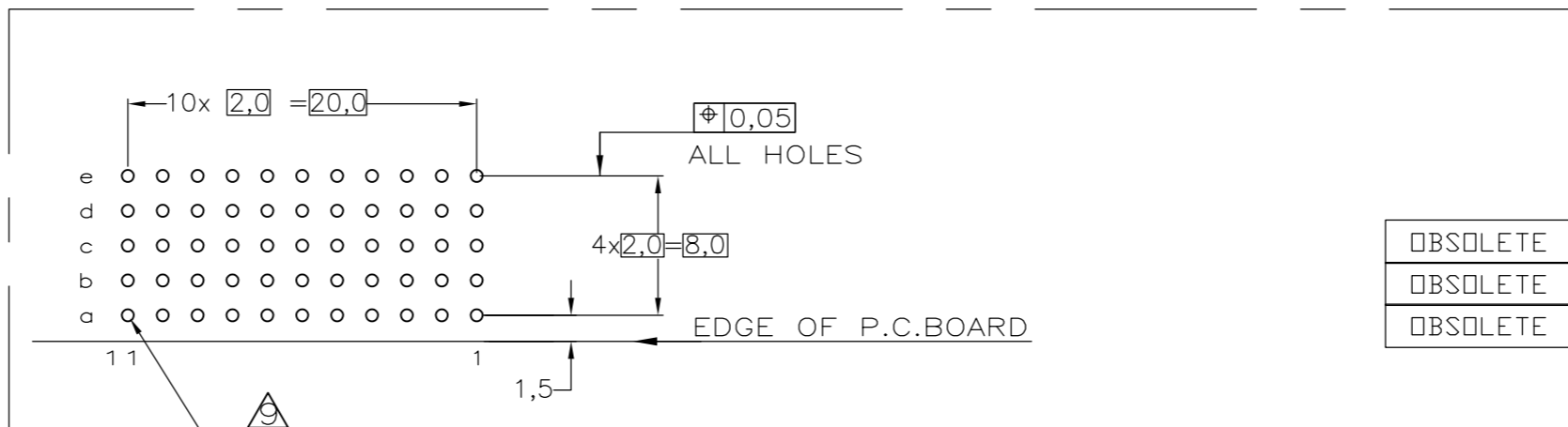
THIS DRAWING IS UNPUBLISHED. RELEASED FOR PUBLICATION
 © COPYRIGHT - By - ALL RIGHTS RESERVED.

| REVISIONS | | | | | |
|-----------|-----|---------------|-----------|-----|------|
| P | LTR | DESCRIPTION | DATE | DWN | APVD |
| S | | ECR-16-013249 | 07JUL2017 | FL | SY |



NOTES:

- △ MATERIAL CONTACT; PHOSPHORBRONZE
MATERIAL HOUSING; GLASSFILLED POLYESTER (GRAY)
UL-RATING 94V0.
- △ GENERAL PLATING SPECIFICATION: UNDERPLATING (ENTIRE CONTACT): 1,27µm NICKEL MIN.
AND ACTION PIN: 0,5µm TIN-LEAD MIN.
FOR PLATING OF MATING SURFACES SEE APPLICABLE SPECIFICATION REFERENCE FOR EACH DASH NUMBER.
- △ CONFORMS TO ALL TESTING ACCORDING IEC 61076-4-101 PERFORMANCE LEVEL 2.
- △ CONFORMS TO ALL TESTING ACCORDING IEC 61076-4-101 PERFORMANCE LEVEL 1.
- △ CONNECTOR TESTED AND QUALIFIED AGAINST TELCORDIA GR-1217-CORE QUALITY LEVEL III, CENTRAL OFFICE APPLICATIONS.
- △ CONNECTOR TESTED AND QUALIFIED AGAINST TELCORDIA GR-1217-CORE QUALITY LEVEL III, UNCONTROLLED ENVIRONMENT APPLICATIONS.
- △ CONNECTOR LUBRICATED WITH TELCORDIA GR-1217-CORE APPROVED LUBRICANT.
- △ CONNECTOR PRINTED WITH PARTNUMBER AND DATECODE
THE MARKING CAN APPEAR ON THE FRONT SIDE OR ON THE BACK SIDE.
- △ PLATED-THROUGH HOLES AT 2x2mm SQUARE GRID. 55 HOLES
- 10 FITS WITH INTEGRATED GROUND RETURN UPPERSHIELD, BASIC P.N. 352111
AND INTEGRATED GROUND RETURN LOWERSHIELD, BASIC P.N. 352112
- △ CONNECTOR ASSEMBLED WITH REDESIGNED CONTACTS.
CONTACTS HAVE A CORING-OUT IN THE PLASTIC.
- △ 0.76µm MIN GOLD PLATING AT MATING SURFACES.



SCALE 2,5:1
 COMPONENT SIDE AS SHOWN
 RECOMMENDED PCB-HOLE LAY-OUT


P.C.B. HOLE DIM. ACTION PIN
 FOR DETAILS SEE
 APPLICATION SPECIFICATION

| | | | |
|----------|--------|----------|-------------|
| OBSOLETE | △△△ | △ | 3-100161-0 |
| OBSOLETE | △△△ | △ | 1-100161-9 |
| OBSOLETE | △△△ | △ | 100161-9 |
| | △△ | △ | 100161-4 |
| | △△ | △ | 100161-1 |
| | FINISH | MATERIAL | PART NUMBER |

| | | | | |
|--|--|-------------------------------------|--|---------------|
| THIS DRAWING IS A CONTROLLED DOCUMENT. | | DWN F.V.KONINGSBRUGGE 20JAN97 | TE Connectivity | |
| DIMENSIONS: mm | | CHK W.V.D.HEIJDEN 20JAN97 | Z-PACK 2MM HM TYPE C 55 POS. FEMALE CONNECTOR | |
| TOLERANCES UNLESS OTHERWISE SPECIFIED: ±0.2 | | APVD F.V.KONINGSBRUGGE | NAME | |
| MATERIAL | | PRODUCT SPEC 108-19082 | APPLICATION SPEC | |
| | | 114-19029 | SIZE | RESTRICTED TO |
| | | WEIGHT 0.000000 | CAGE CODE A2 00779 | |
| | | CUSTOMER DRAWING | DRAWING NO. C=100161 | |
| | | SCALE NTS | SHEET 1 of 1 | REV S |

Looking for pricing, stock, or lifecycle information?

Click below to explore more details on WIN SOURCE:

 [View 100161-1 on WIN SOURCE](#)

 [TE Connectivity](#) Information

Optimize Your Supply Chain with WIN SOURCE Solutions

-  Global Sourcing Solution
-  Obsolete Management
-  Cost Control Management
-  Shortage Management
-  Alternative Solution
-  Excess Inventory Management