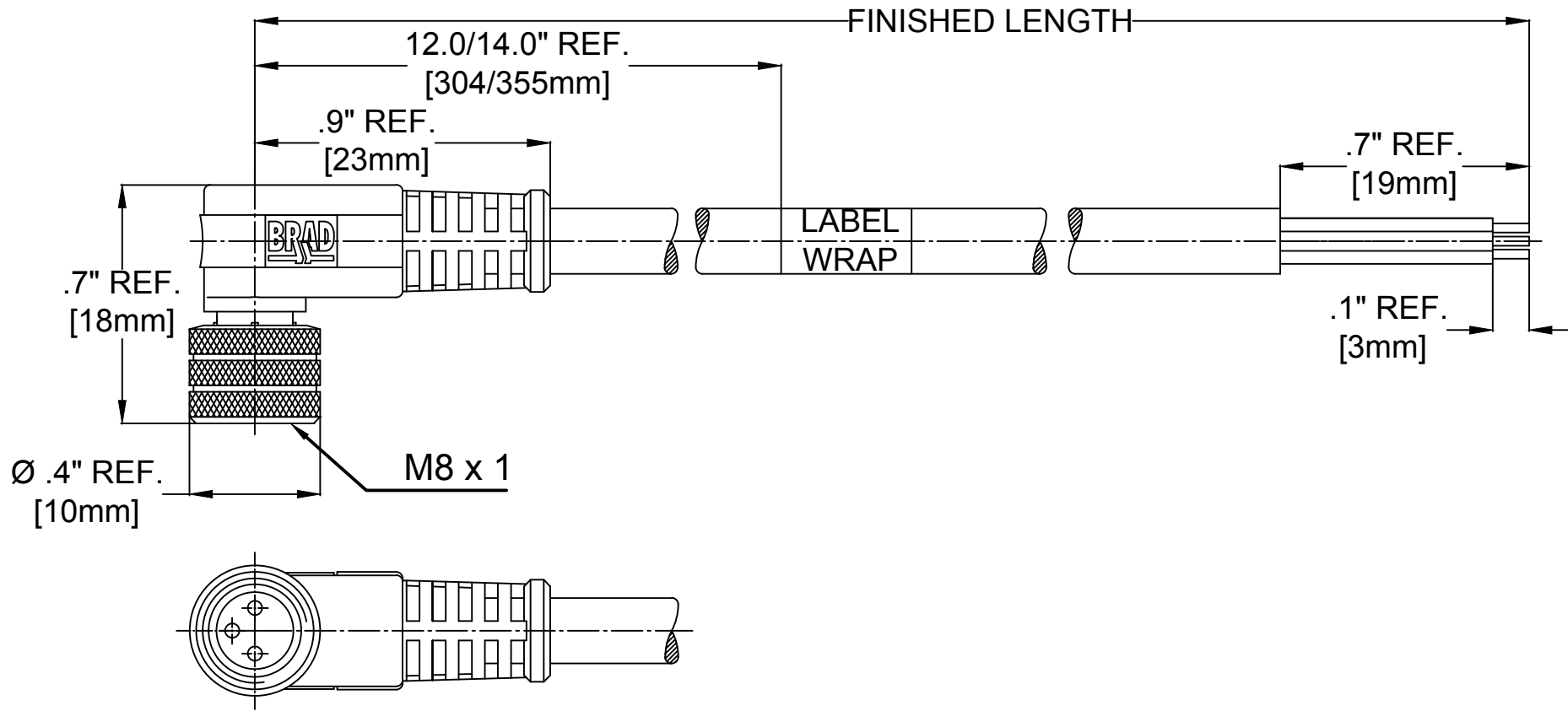




**THE DATASHEET OF  
1200860122**





| FEMALE FACE VIEW             |   |   |
|------------------------------|---|---|
| 3-POLE                       | 4-POLE                                  | 5-POLE  |
|                              |   |   |
| 1 BROWN<br>3 BLUE<br>4 BLACK | 1 BROWN<br>2 WHITE<br>3 BLUE<br>4 BLACK | 1 BROWN<br>2 WHITE<br>3 BLUE<br>4 BLACK<br>5 GREY |

**403001A10M020**

No Pole  
3-5 Pole

cable type  
#24/3-5  
PVC YELLOW

cable length  
020----2 Meters  
100----10 Meters

| MATERIAL NUMBER | ENGINEERING NUMBER | FINISHED LENGTH IN/MM               |
|-----------------|--------------------|-------------------------------------|
| 1200860119      | 403001A10M020      | 6.56' +3.50" -0 [2.0M +88.9 -0]     |
| 1200860122      | 403001A10M050      | 16.40' +6.50" -0 [5.0M +165.1 -0]   |
| 1200860124      | 403001A10M100      | 32.81' +12.50" -0 [10.0M +317.5 -0] |
| 1200860175      | 404001A10M020      | 6.56' +3.50" -0 [2.0M +88.9 -0]     |
| 1200860178      | 404001A10M050      | 16.40' +6.50" -0 [5.0M +165.1 -0]   |
| 1200860180      | 404001A10M100      | 32.81' +12.50" -0 [10.0M +317.5 -0] |
| 1200860200      | 405001A10M020      | 6.56' +3.50" -0 [2.0M +88.9 -0]     |
| 1200890092      | 405001A10M100      | 32.81' +12.50" -0 [10.0M +317.5 -0] |

| SPECIFICATION DATA     |  |               |
|------------------------|--|---------------|
| COMPONENT              | MATERIAL                                     | FINISH        |
| LABEL                  | MYLAR  | BLACK/YELLOW  |
| COUPLER                | BRASS  | NICKEL PLATED |
| CONTACT                | COPPER ALLOY                                 | Au OVER Ni    |
| O-RING                 | VITON  | RED           |
| INSERT                 | PUR  | BLACK         |
| OVERMOLD               | TPE  | YELLOW        |
| CABLE #24 /3-5         | PVC  | YELLOW        |
| VOLTAGE RATING:        | 3-4POL:60V/AC 75V/DC<br>5-POL: 30V/AC 36V/DC |               |
| AMPERAGE RATING:       | 3A   |               |
| PROTECTION CLASS:      | IP 68  |               |
| OPERATING TEMPERATURE: | -20°C / 105°C                                |               |

|  |                                   |  |   |   |                              |                               |                        |
|--|-----------------------------------|--|---|---|------------------------------|-------------------------------|------------------------|
| UPDATED FOR PART NUMBER MATRIX<br>EC NO: IPG2014-0989<br>DRWN: GGUSTAFS 11/27/13<br>CHKD: BARDEN<br>APPR: BWOODMAN 2010/01/28<br>2 | QUALITY SYMBOLS<br>▽ = 0<br>▽ = 0 | GENERAL TOLERANCES (UNLESS SPECIFIED)  |   | DIMENSION STYLE<br><b>IN/MM</b>         | SCALE<br>NTS                 | DESIGN UNITS<br>INCH          | THIRD ANGLE PROJECTION |
|  |                                   | 4 PLACES ±--- ±---<br>3 PLACES ±--- ±.005<br>2 PLACES ±.13 ±.010<br>1 PLACE ±.25 ±.020 | mm INCH   | DRAWN BY DATE<br>RE 2010/01/20          | NC 3/4/5P FE 90<br>24AWG PVC |                               |                        |
|  |                                   | ANGULAR ± .5 °   | DRAFT WHERE APPLICABLE<br>MUST REMAIN WITHIN DIMENSIONS   | APPROVED BY DATE<br>NSTAUDIG 2010/01/28 | <b>MOLEX INCORPORATED</b>    |                               |                        |
|  |                                   | SIZE<br><b>A3</b>  | THIS DRAWING CONTAINS INFORMATION THAT IS PROPRIETARY TO MOLEX INCORPORATED AND SHOULD NOT BE USED WITHOUT WRITTEN PERMISSION |   | MATERIAL NO.<br>SEE TABLE    | DOCUMENT NO.<br>SD-120086-026 | SHEET NO.<br>1 OF 1    |

## Looking for pricing, stock, or lifecycle information?

Click below to explore more details on WIN SOURCE:

 [View 1200860122 on WIN SOURCE](#)

 [Molex, LLC Information](#)

## Optimize Your Supply Chain with WIN SOURCE Solutions

-  Global Sourcing Solution
-  Obsolete Management
-  Cost Control Management
-  Shortage Management
-  Alternative Solution
-  Excess Inventory Management