



ON Semiconductor®

<http://onsemi.com>

# LB11668MC

## Monolithic Digital IC For Fan Motor Two-Phase Half-Wave Driver

### Overview

The LB11668MC is a two-phase uni-polar brushless motor driver for fan motor.

### Functions

- Two-phase half-wave drive.
- RD (lock detection) outputs incorporated.
- FG (rotation detection) outputs incorporated.
- Thermal shutdown circuit incorporated.
- Lock protection and automatic return function incorporated.
- Output protection zener diode incorporated.
- Hall input amplifier incorporated.

### Specifications

**Absolute Maximum Ratings** at  $T_a = 25^\circ\text{C}$

Parameter	Symbol	Conditions	Ratings	Unit
Maximum inflow current	$I_{IN\ max}$		100	mA
Output current	$I_{OUT\ ave}$		400	mA
	$I_{OUT\ peak}$		800	mA
Output withstand voltage	$V_{OUT\ max}$		Internal	V
RD output current	$I_{RD\ max}$		10	mA
RD output withstand voltage	$V_{RD\ max}$		28	V
Allowable dissipation	$P_d\ max$	Mounted on a board *	750	mW
Operating temperature	$T_{opr}$		-30 to +85	°C
Storage temperature	$T_{stg}$		-55 to +150	°C

\* Specified board : 114.3mm × 76.1mm × 1.5mm, glass epoxy board.

Stresses exceeding Maximum Ratings may damage the device. Maximum Ratings are stress ratings only. Functional operation above the Recommended Operating Conditions is not implied. Extended exposure to stresses above the Recommended Operating Conditions may affect device reliability.

# LB11668MC

## Recommended Operating Conditions at $T_a = 25^\circ\text{C}$

Parameter	Symbol	Conditions	Ratings	Unit
Inflow current range	$I_{IN1}$		5 to 25	mA
Common-mode input voltage range	VCOM		0.2 to $V_{IN} - 2.3$	V

## Electrical Characteristics at $T_a = 25^\circ\text{C}$ , $V_{CC} = 24\text{V}$ , $R_1 = 1\text{k}\Omega$ , unless otherwise specified.

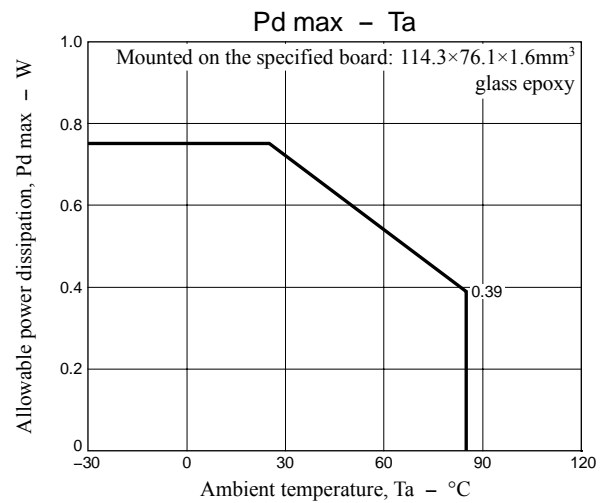
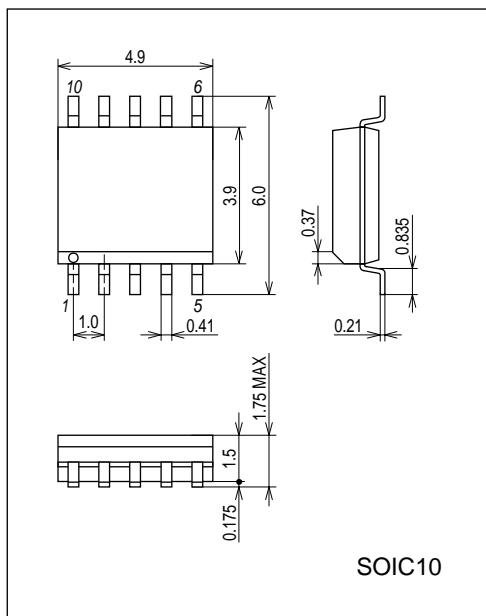
Parameter	Symbol	Conditions	Ratings			Unit
			min	typ	max	
$V_{IN}$ voltage	$V_{IN}$	$I_{IN} = 6\text{mA}$	6.9	7.2	7.6	V
CT capacitor charging current	$I_{CT1}$	$CT = 0\text{V}$	0.8	1.2	2.0	$\mu\text{A}$
Capacitor discharging current	$I_{CT2}$	$CT = 6.0\text{V}$	0.12	0.24	0.4	$\mu\text{A}$
Capacitor charging/ discharging current ratio	$R_{CT}$	$R_{CT} = I_{CT1} / I_{CT2}$	4.0	5.0	7.0	
CT charging voltage	$V_{CTH}$	$V_{CT}/V_{IN}$	66	70	74	%
CT discharging voltage	$V_{CTL}$	$V_{CT}/V_{IN}$	36	40	44	%
Output limit withstand voltage	$V_{OLM}$	$I_O = 10\text{mA}$	50	53	56	V
Output saturation voltage	$V_{OL1}$	$I_O = 200\text{mA}$		0.85	1.1	V
Hall input sensitivity	$V_{HN}$	Including offset and hysteresis		8	18	mV
RD output saturation voltage	$V_{RD}$	$I_{RD} = 5\text{mA}$		0.2	0.5	V
RD output leak current	$I_{RD}$	$V_{RD} = 14\text{V}$		0.1	10	$\mu\text{A}$
Thermal protection function operating temperature	VTH	Design target value *	150	180	210	$^\circ\text{C}$

\* "Design" is a design target and is not measured.

## Package Dimensions

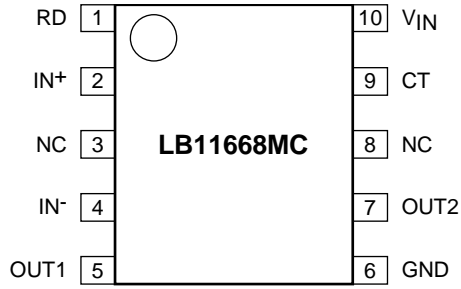
unit : mm (typ)

3426A



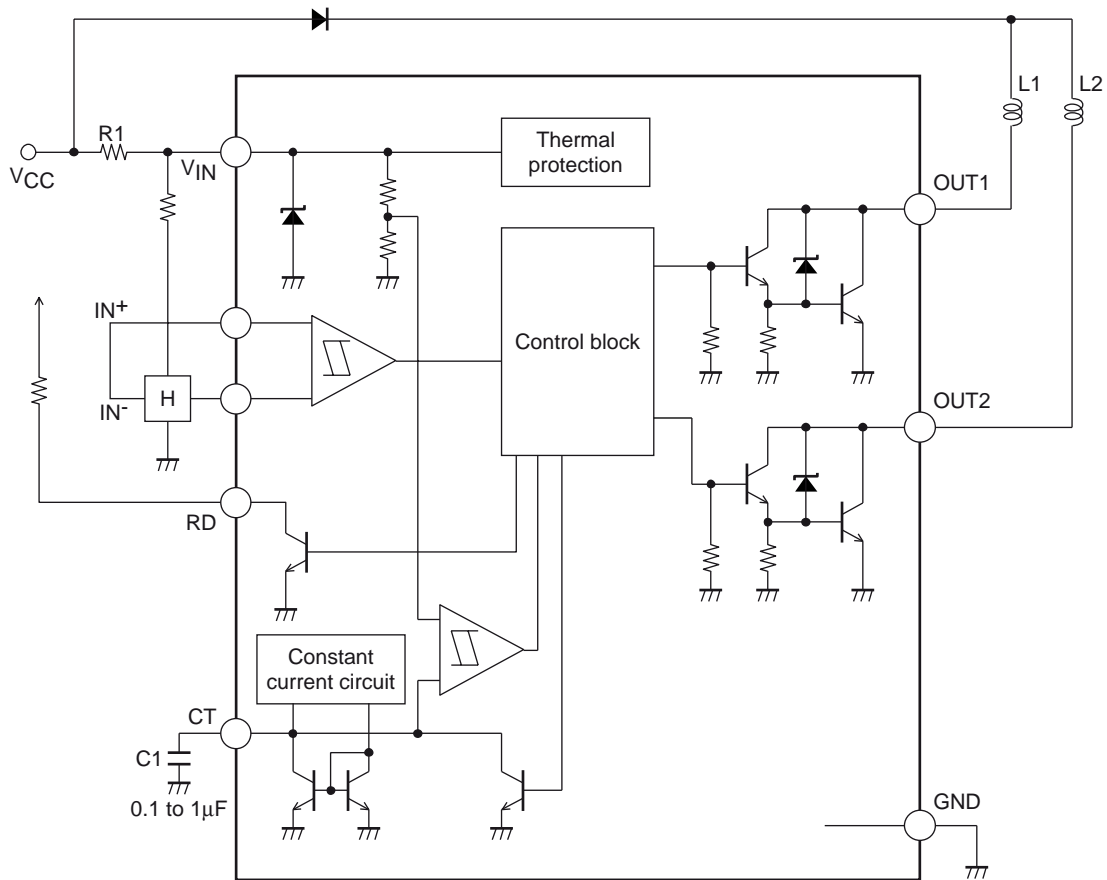
# LB11668MC

## Pin Assignment



Top view

## Block Diagram

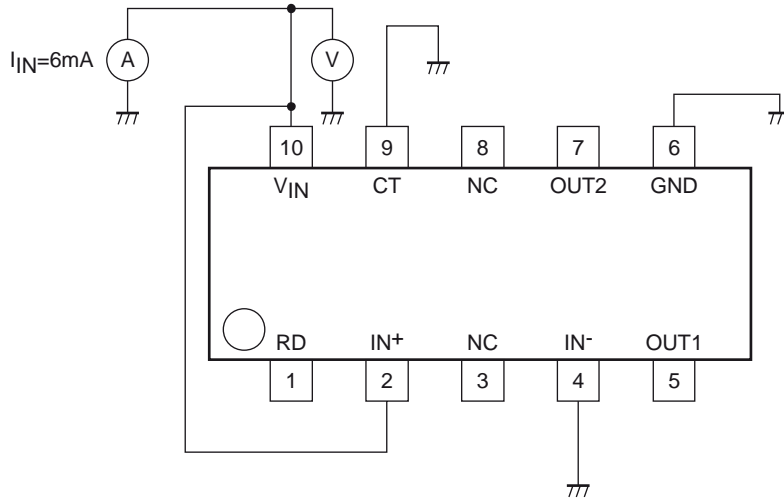


## Truth table

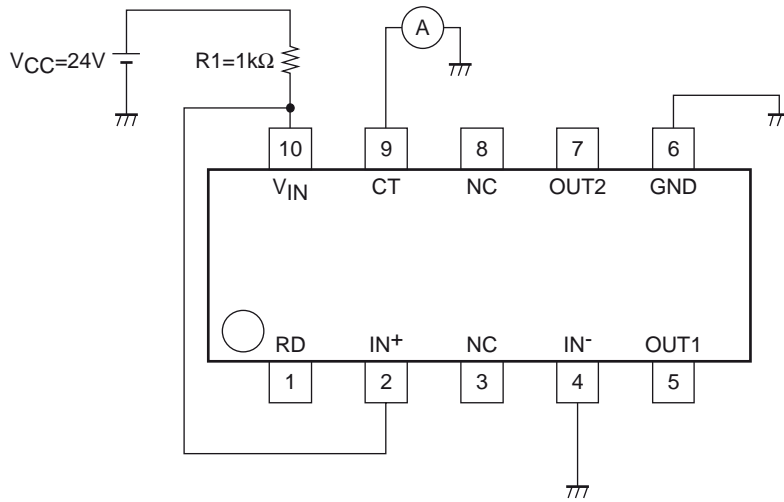
IN <sup>-</sup>	IN <sup>+</sup>	CT	OUT1	OUT2	RD	Mode
H	L	L	L	H	L	Rotation
L	H		H	L		
-	-	H	OFF	OFF	H	Lock protection

# LB11668MC

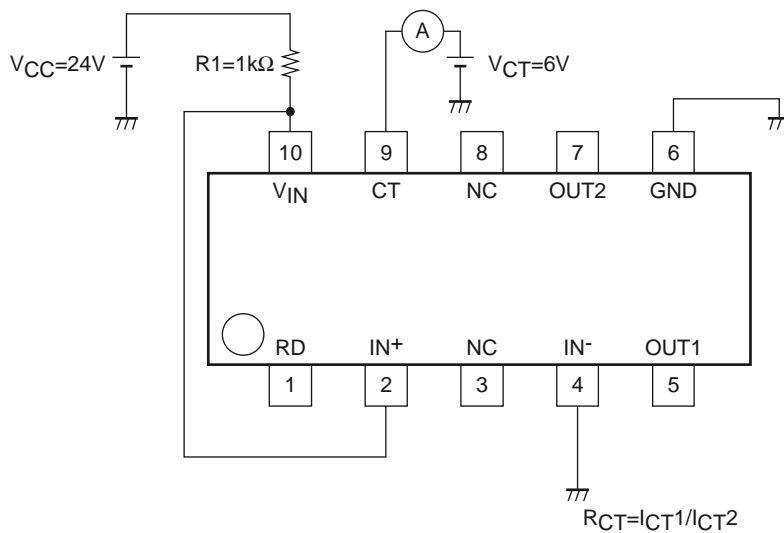
$V_{IN1}$



$I_{CT1}$

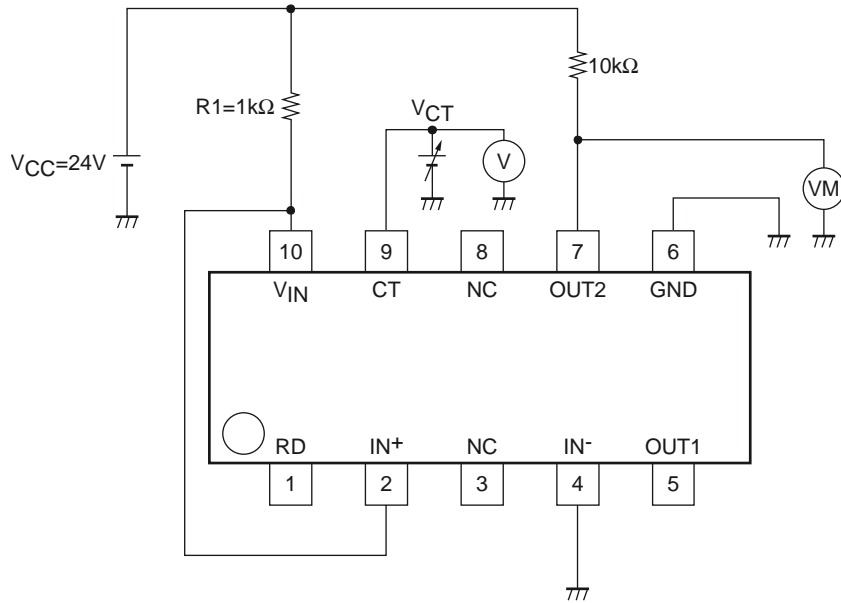


$I_{CT2}$

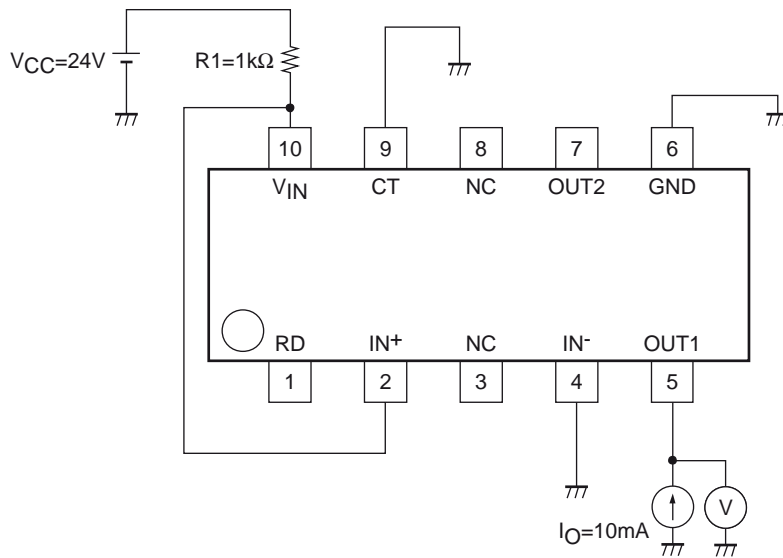


# LB11668MC

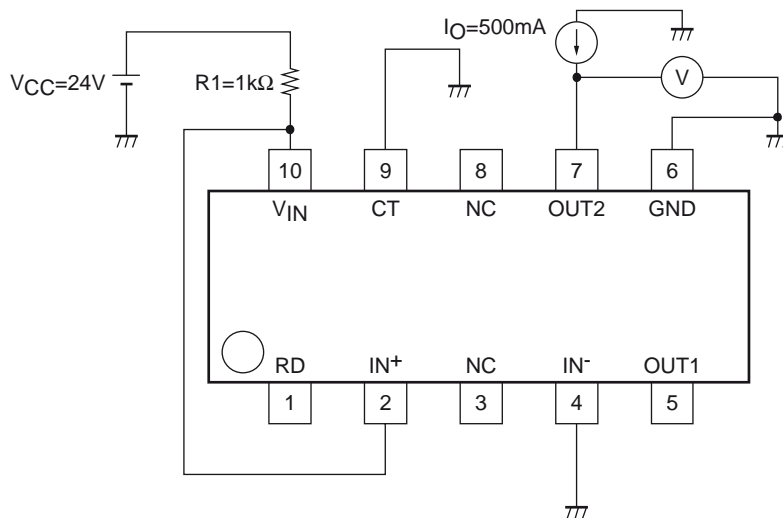
$V_{CTH}$ ,  $V_{CTL}$



$V_{OLM}$

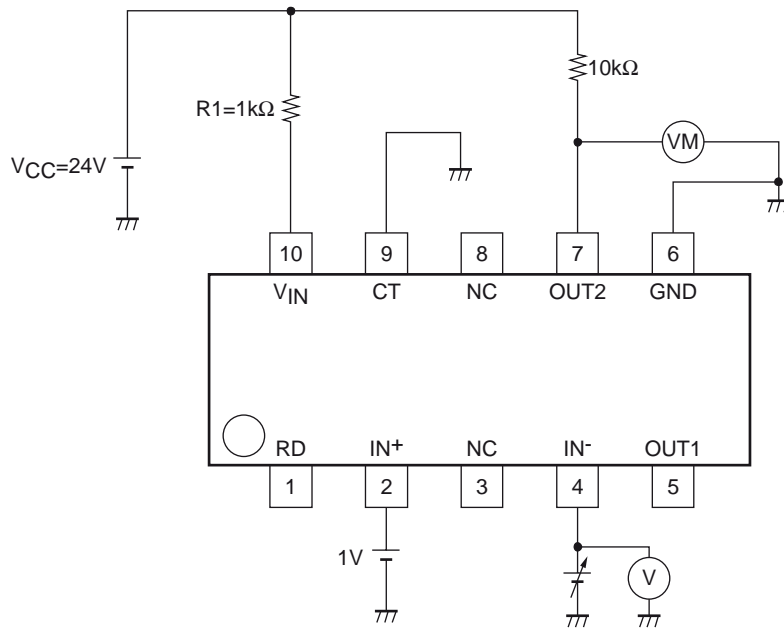


$V_{OL1}$

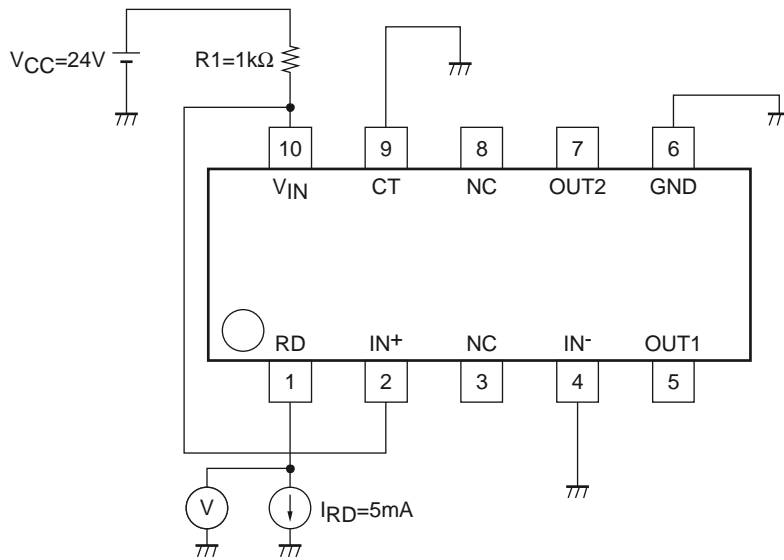


# LB11668MC

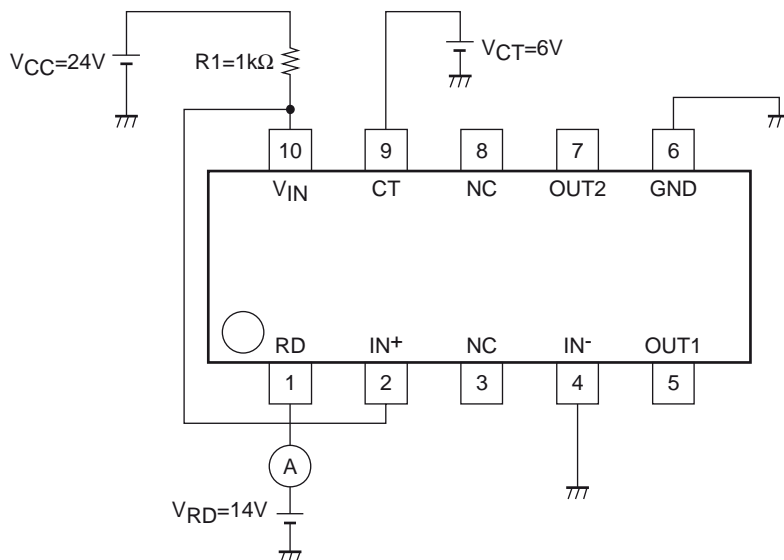
$V_{HN}$



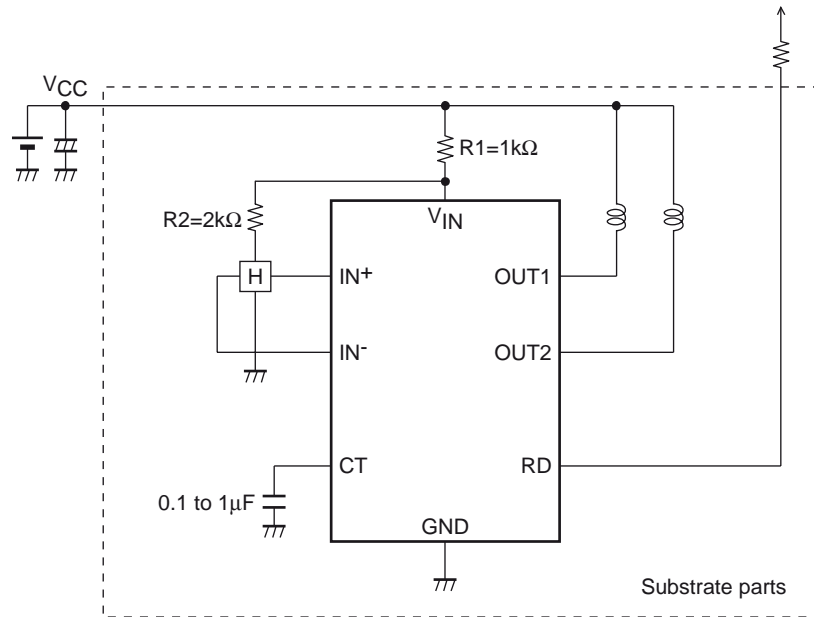
$V_{RD}$



$V_{RL}$



Application Circuit Example 24V power supply





Notice

- Take care not to cause interference due to wiring of IN<sup>-</sup> and OUT1.
- In an application of connecting the CT pin to GND, lock protection and restart function are not effective.
- With reverse power - GND connection in the above application figure, the current restricted by the coil resistance flows from GND → OUT → coil → power supply. IC breakage does not occur if the current value is 500mA or less. If necessary, insert Di between V<sub>CC</sub> and coil.

ON Semiconductor and the ON logo are registered trademarks of Semiconductor Components Industries, LLC (SCILLC). SCILLC owns the rights to a number of patents, trademarks, copyrights, trade secrets, and other intellectual property. A listing of SCILLC's product/patent coverage may be accessed at [www.onsemi.com/site/pdf/Patent-Marking.pdf](http://www.onsemi.com/site/pdf/Patent-Marking.pdf). SCILLC reserves the right to make changes without further notice to any products herein. SCILLC makes no warranty, representation or guarantee regarding the suitability of its products for any particular purpose, nor does SCILLC assume any liability arising out of the application or use of any product or circuit, and specifically disclaims any and all liability, including without limitation special, consequential or incidental damages. "Typical" parameters which may be provided in SCILLC data sheets and/or specifications can and do vary in different applications and actual performance may vary over time. All operating parameters, including "Typicals" must be validated for each customer application by customer's technical experts. SCILLC does not convey any license under its patent rights nor the rights of others. SCILLC products are not designed, intended, or authorized for use as components in systems intended for surgical implant into the body, or other applications intended to support or sustain life, or for any other application in which the failure of the SCILLC product could create a situation where personal injury or death may occur. Should Buyer purchase or use SCILLC products for any such unintended or unauthorized application, Buyer shall indemnify and hold SCILLC and its officers, employees, subsidiaries, affiliates, and distributors harmless against all claims, costs, damages, and expenses, and reasonable attorney fees arising out of, directly or indirectly, any claim of personal injury or death associated with such unintended or unauthorized use, even if such claim alleges that SCILLC was negligent regarding the design or manufacture of the part. SCILLC is an Equal Opportunity/Affirmative Action Employer. This literature is subject to all applicable copyright laws and is not for resale in any manner.

## Looking for pricing, stock, or lifecycle information?

Click below to explore more details on WIN SOURCE:

-  [View LB11668MC-AH on WIN SOURCE](#)
-  [ON Semiconductor](#) Information

## Optimize Your Supply Chain with WIN SOURCE Solutions

-  Global Sourcing Solution
-  Obsolete Management
-  Cost Control Management
-  Shortage Management
-  Alternative Solution
-  Excess Inventory Management