

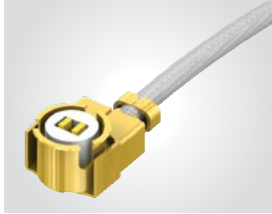


**THE DATASHEET OF  
MH113-MH1RP-01SB1-0150**



## 50 Ω MICRO HIGH FREQUENCY RF CABLES TO 6 GHz

### MHF Cable Assemblies MH081, MH113



#### SPECIFICATIONS

**Outer Contact Material:**  
Au plated Phosphor Bronze  
**Center Contact Material:**  
Au plated Phosphor Bronze (MHX)  
Au plated BeCu (SMA)  
**Insulator Material:**  
PBT (MHX)  
PTFE (SMA)  
**Operating Temperature:**  
-40 °C to +90 °C  
**Voltage Rating:**  
170 V max  
**Dielectric Withstanding Voltage:**  
200 Vrms

**0.81 mm Cable:**  
**Capacitance:**  
100 pF/meter  
**Max Attenuation (cable only):**  
3.1 dB @ 1 GHz  
**Conductor Size:**  
36 AWG, (0.81 mm) .032" dia.  
**Conductor Material:**  
Silver Plated Copper  
**Conductor Resistance:**  
1.40 Ω/meter max  
**Insulator Diameter:**  
(0.4 mm) .016"  
**Insulator Material:** FEP  
**Shield Material:**  
Silver Plated Copper  
**Jacket Material:** PFA  
**Jacket Diameter:**  
(0.81 mm) .032" dia.  
**Bend Radius:** 5.0 mm  
**Jacket Temp Rating:**  
-40 °C to +90 °C

**1.13 mm Cable:**  
**Capacitance:**  
95 pF/meter  
**Max Attenuation (cable only):**  
2 dB @ 1 GHz  
**Conductor Size:**  
32 AWG, (1.13 mm) .045" dia.  
**Conductor Material:**  
Silver Plated Copper  
**Conductor Resistance:**  
0.60 Ω/meter max  
**Insulator Diameter:**  
(0.66 mm) .026"  
**Insulator Material:**  
FEP  
**Shield Material:**  
Tinned Copper  
**Jacket Material:**  
FEP  
**Jacket Diameter:**  
(1.13 mm) .045" dia  
**Bend Radius:**  
6.8 mm  
**Jacket Temp Rating:**  
-40 °C to +90 °C

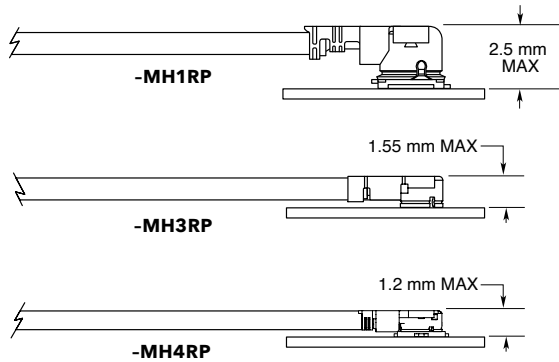
SERIES	END 1 CONNECTOR	END 2 CONNECTOR	OVERALL LENGTH
--------	-----------------	-----------------	----------------

**MH081**  
= 0.81 mm Cable  
**MH113**  
= 1.13 mm Cable

Specify END OPTIONS from chart

**-0030**  
= 1.18" (30 mm)  
**-0050**  
= 1.97" (50 mm)  
**-0100**  
= 3.94" (100 mm)  
**-0150**  
= 5.91" (150 mm)  
**-0300**  
= 11.81" (300 mm)

#### APPLICATION



#### EXTRACTION TOOLS

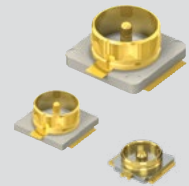
MH1RP = RSP-122893-01  
MH3RP = RSP-122893-02  
MH4RP = RSP-122893-03

#### MATING SOLUTIONS

MH1RP end mates with RSP-122811-01 (Cycles: 30 max.)

MH3RP end mates with RSP-122811-02

MH4RP end mates with RSP-122811-03



#### END OPTIONS

<b>-MH1RP = MHF1 Type Plug</b> (3.9 μ" (0.1 μm) Gold on Center Contact, 1.9 μ" (0.05 μm) Gold on Shell)	
<b>-MH3RP = MHF3 Type Plug</b> (3.9 μ" (0.1 μm) Gold on Center Contact, 1.9 μ" (0.05 μm) Gold on Shell) (MH081 only)	
<b>-MH4RP = MHF4 Type Plug</b> (10 μ" (0.25 μm) Gold on Center Contact, 1.9 μ" (0.05 μm) Gold on Shell) (MH4RP is not available with MH1RP & MH3RP) (MH081 only)	
<b>-01BJ1 = SMA Straight Bulkhead Jack (MH081 only)</b> <b>-01BJ2 = SMA Straight Bulkhead Jack, Reversed Polarity</b> <b>-01SB1 = SMA Straight Jack, Sealed Bulkhead</b> <b>-01SR1 = SMA Straight Jack, Sealed Bulkhead, Reversed Polarity</b> (30 μ" (0.76 μm) Gold on Center Contact, Gold Flash on Shell)	
<b>-SING =</b> Single Ended (End 2 callout)	
<b>XXXXXX =</b> Stripped & Tinned (End 2 callout)	


#### STRIPPED & TINNED (Dimensions in mm)

CALLOUT	A	B	C
-303030	3.0	3.0	3.0
-303040	3.0	3.0	4.0
-403030	4.0	3.0	3.0
-403040	4.0	3.0	4.0
-404040	4.0	4.0	4.0

Both center conductor and braid shield are stripped, only the center conductor is tinned.

## Looking for pricing, stock, or lifecycle information?

Click below to explore more details on WIN SOURCE:

 [View MH113-MH1RP-01SB1-0150 on WIN SOURCE](#)

 [Samtec Inc. Information](#)

## Optimize Your Supply Chain with WIN SOURCE Solutions

-  Global Sourcing Solution
-  Obsolete Management
-  Cost Control Management
-  Shortage Management
-  Alternative Solution
-  Excess Inventory Management