



**THE DATASHEET OF
XH3B-0241-A**



XH3/XH4/XH2

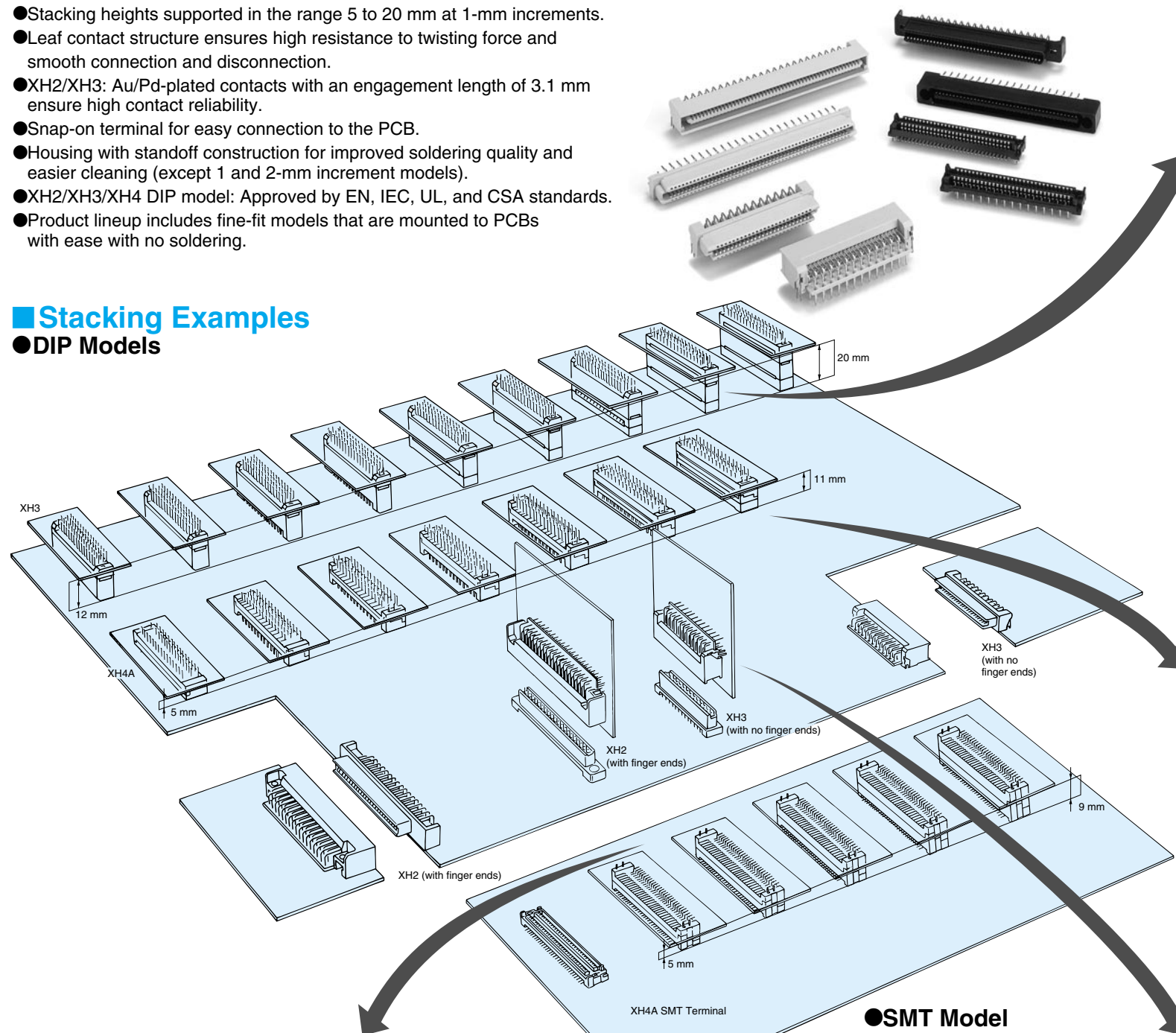
Half-pitch Connectors Series

1.27-mm Contact Pitch Greatly Contributing to High-density Mounting of Electronic Components and Miniaturization of Electronic Devices

- Stacking heights supported in the range 5 to 20 mm at 1-mm increments.
- Leaf contact structure ensures high resistance to twisting force and smooth connection and disconnection.
- XH2/XH3: Au/Pd-plated contacts with an engagement length of 3.1 mm ensure high contact reliability.
- Snap-on terminal for easy connection to the PCB.
- Housing with standoff construction for improved soldering quality and easier cleaning (except 1 and 2-mm increment models).
- XH2/XH3/XH4 DIP Model: Approved by EN, IEC, UL, and CSA standards.
- Product lineup includes fine-fit models that are mounted to PCBs with ease with no soldering.

Stacking Examples

● DIP Models



Stacking Connections (Surface Mount Terminal)

Stacking Height	5 mm	6 mm	7 mm	8 mm	9 mm
Engagement					

● SMT Model

Engagement

Stacking Connections

Stacking Height	12 mm	13 mm	14 mm	15 mm	16 mm
Engagement					
Stacking Height	17 mm	18 mm	19 mm	20 mm	
Engagement					

Stacking Connections (Straight Terminal)

Stacking Height	5 mm	6 mm	7 mm	8 mm
Engagement				
Stacking Height	9 mm	10 mm	11 mm	
Engagement				

Vertical/Horizontal/Stacking

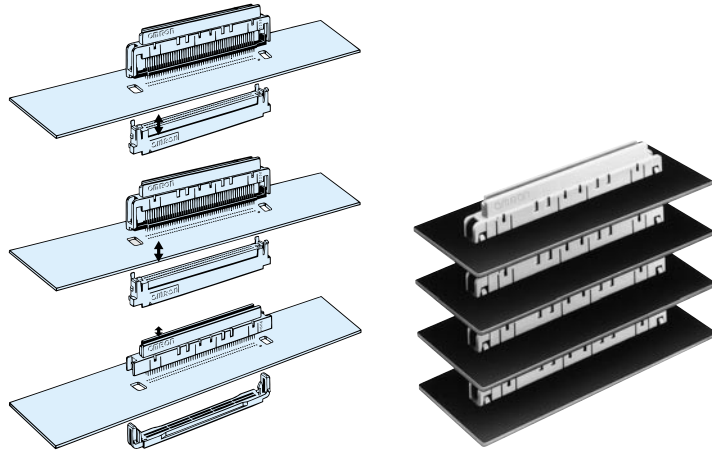
Vertical (Standard) (See note.)	Vertical (Reverse)	Horizontal

XH3/XH4/XH2

Half-pitch Connectors Series

Connection Examples

Multi-tier Stacking of Fine-fit Models

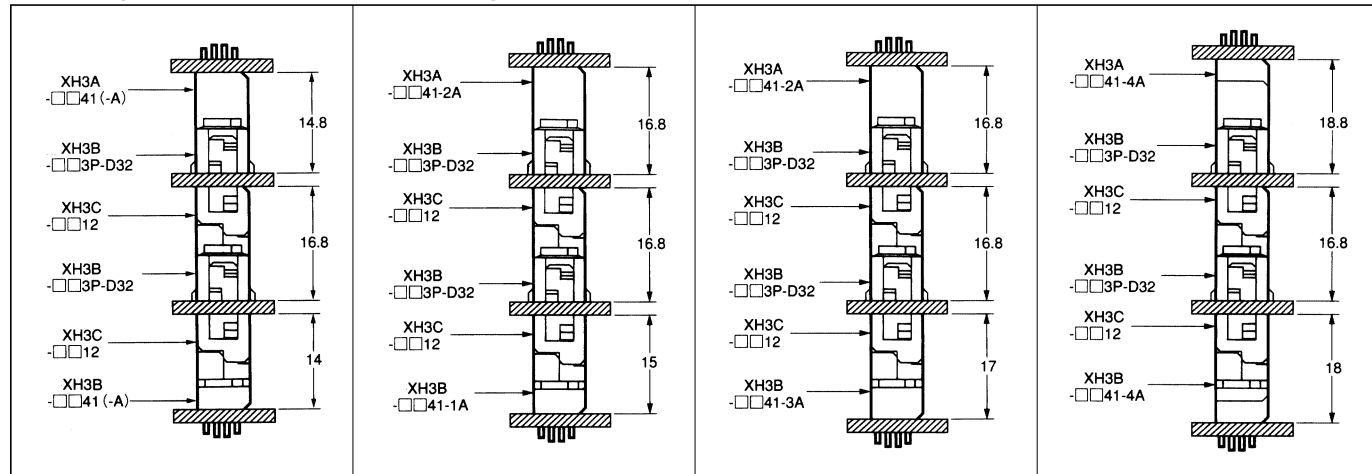


Fine Fit

The term "fine fit" (generally known as "press fit") refers to the technique where the connector terminal are pressed into the through holes of the PCB to connect the PCB and connector electrically and mechanically with the spring pressure of the terminal. The connector is connected with no solder, eliminating the soldering stage usually required with connectors. Furthermore the PCB is free of thermal load or flux, thus contributing to cost reductions and improvements in contact reliability.

Engagement

Stacking Fine-fit Plain Models with Straight Terminal



Ordering Information

XH3 Half-pitch Connectors (Fine-fit and Stacking Connection)

Shape	Socket (Backplane Model) XH3B-013P-D32	Housing (Backplane Model) XH3C-0112	Set model XH3B-013P-D32-C
Number of contacts	100	100	100

Shape	Connector with socket and short terminal XH3B-013P-D5F	Cover for short terminal XH3S-0111	Set model XH3B-013P-D5F-S
Number of contacts	100	100	100

XH3 Half-pitch Connectors (Board-to-Board Connection)

Plugs

Shape	Plug with Straight terminal XH3A-□□41 XH3A-□□41-A	Plug with Straight terminal (models with stacking height adjustable in 2 or 4-mm increments) XH3A-□□41-2A XH3A-□□41-4A	Plug with Right angle terminal XH3A-□□42-A
Number of contacts	20,30,40,50,60,68,80,100,120	20,30,40,50,60,68,80,100,120	30,40,50,60,68,80,100

Sockets



Shape	Socket with Straight terminal XH3B-□□41 XH3B-□□41-A	Socket with Straight terminal (models with stacking height adjustable in 1, 3, or 4-mm increments) XH3B-□□41-1A XH3B-□□41-3A XH3B-□□41-4A	Socket with Right angle terminal (Provided with Lock Terminal) XH3B-□□42-A
Number of contacts	20,30,40,50,60,68,80,100,120	20,30,40,50,60,68,80,100,120	30,40,50,60,68,80,100

XH4 Half-pitch Connectors (Low-profile Stacking Connection)

Shape	Half-pitch Connector with Straight terminal XH4A-□□31	Half-pitch Connector with Straight terminal (models other than standard models with stacking height adjustable in 1, 2, or 3-mm increments) XH4A-□□31-A XH4A-□□31-1A XH4A-□□31-2A XH4A-□□31-3A	Half-pitch Connector with SMT (models other than standard models with stacking height adjustable in 1 or 2-mm increments) XH4A-□□35-A XH4A-□□35-1A XH4A-□□35-2A
Number of contacts	40,50,60,80,100	40,50,60,80,100	40,50,60,80,100

Looking for pricing, stock, or lifecycle information?

Click below to explore more details on WIN SOURCE:

-  [View XH3B-0241-A on WIN SOURCE](#)
-  [Omron Information](#)

Optimize Your Supply Chain with WIN SOURCE Solutions

-  Global Sourcing Solution
-  Obsolete Management
-  Cost Control Management
-  Shortage Management
-  Alternative Solution
-  Excess Inventory Management