

AT91SAM9261-EK Evaluation Board

User Guide





Table of Contents

Section 1

| | |
|---|-----|
| Overview | 1-1 |
| 1.1 Scope | 1-1 |
| 1.2 Deliverables | 1-1 |
| 1.3 The AT91SAM9261-EK Evaluation Board | 1-1 |

Section 2

| | |
|---|-----|
| Setting Up the AT91SAM9261-EK Evaluation Board | 2-1 |
| 2.1 Electrostatic Warning | 2-1 |
| 2.2 Requirements | 2-1 |
| 2.3 Layout | 2-2 |
| 2.4 Powering Up the Board | 2-4 |
| 2.5 Backup Power Supply | 2-4 |
| 2.6 Getting Started | 2-4 |
| 2.7 AT91SAM9261-EK Block Diagram | 2-5 |

Section 3

| | |
|---------------------------------------|-----|
| Board Description | 3-1 |
| 3.1 AT91SAM9261 Microcontroller | 3-1 |
| 3.2 AT91SAM9261 Block Diagram | 3-4 |
| 3.3 Memory | 3-5 |
| 3.4 Clock Circuitry | 3-5 |
| 3.5 Reset Circuitry | 3-5 |
| 3.6 Shutdown Controller | 3-5 |
| 3.7 Power Supply Circuitry | 3-5 |
| 3.8 Remote Communication | 3-5 |
| 3.9 Audio Stereo Interface | 3-5 |
| 3.10 User Interface | 3-5 |
| 3.11 Debug Interface | 3-6 |
| 3.12 Expansion Slot | 3-6 |
| 3.13 PIO Usage | 3-7 |

Section 4

| | |
|--------------------------------|-----|
| Configuration Straps | 4-1 |
| 4.1 Configuration Straps | 4-1 |

Section 5

| | |
|----------------------|-----|
| Schematics | 5-1 |
| 5.1 Schematics | 5-1 |

Section 6

Errata 6-1
6.1 JTAGSEL S5 Footprint Selector6-1

Section 7

Revision History 7-1
7.1 Revision History7-1





Section 1

Overview

-
- 1.1 Scope** The AT91SAM9261-EK evaluation kit is an effective platform for evaluating chip performance and developing code for applications based on the AT91SAM9261.
- This guide is a description of the hardware included in the AT91SAM9261-EK evaluation kit. Software files are available on the DVD-ROM included in the kit and described in “Deliverables” below.
-
- 1.2 Deliverables** The AT91SAM9261-EK package contains the following items:
- an AT91SAM9261-EK board
 - one A/B-type USB cable
 - one serial RS232 cable
 - one RJ45 crossed Ethernet cable
 - universal input AC/DC power supply with US and EU plug adapter
 - one DVD-ROM containing summary and full datasheets, datasheets with electrical and mechanical characteristics, application notes and getting started documents for all development boards and AT91 microcontrollers. An AT91 software package with C and assembly listings is also provided. This allows the user to begin evaluating the AT91 ARM[®] Thumb[®] 32-bit microcontroller quickly.
-
- 1.3 The AT91SAM9261-EK Evaluation Board** The board is equipped with an AT91SAM9261 (217-ball LFBGA package) together with the following:
- 64 Mbytes of SDRAM memory
 - 256 Mbytes of NAND Flash memory
 - one Atmel[®] serial DataFlash[®]
 - one USB device port interface
 - two USB host port interfaces
 - one DBGU serial communication port
 - JTAG/ICE debug interface

Overview

- one Ethernet 100-base TX with three status LEDs
- one Atmel AT73C213 Audio DAC
- one 3.5" 1/4 VGA TFT LCD Module with TouchScreen and backlight
- one Power LED and two general-purpose LEDs
- four user input pushbuttons
- one wakeup input pushbutton
- one reset pushbutton
- one DataFlash SD/MMC card slot
- two expansion footprint connectors (solder side)
- one Lithium Coin Cell Battery Retainer for 12 mm cell size
- dual pitch prototyping area



Section 2

Setting Up the AT91SAM9261-EK Evaluation Board

-
- 2.1 Electrostatic Warning** The AT91SAM9261-EK evaluation board is shipped in a protective anti-static package. The board must not be subjected to high electrostatic potentials. A grounding strap or similar protective device should be worn when handling the board. Avoid touching the component pins or any other metallic element.
-
- 2.2 Requirements** In order to set up the AT91SAM9261-EK evaluation board, the following items are required:
- the AT91SAM9261-EK evaluation board itself
 - AC/DC power adapter (5V at 2A), 2.1 mm by 5.5 mm

2.3 Layout

Figure 2-1. AT91SAM9261-EK Layout - Top View

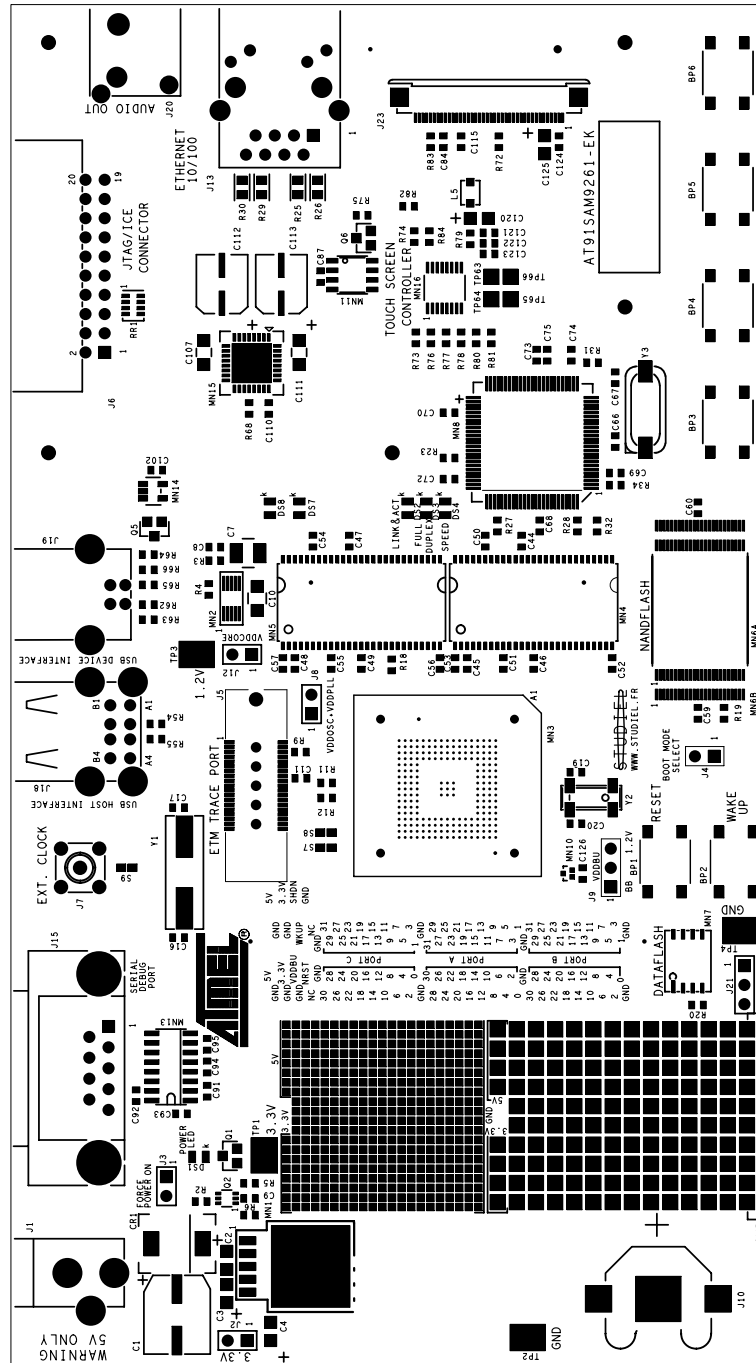
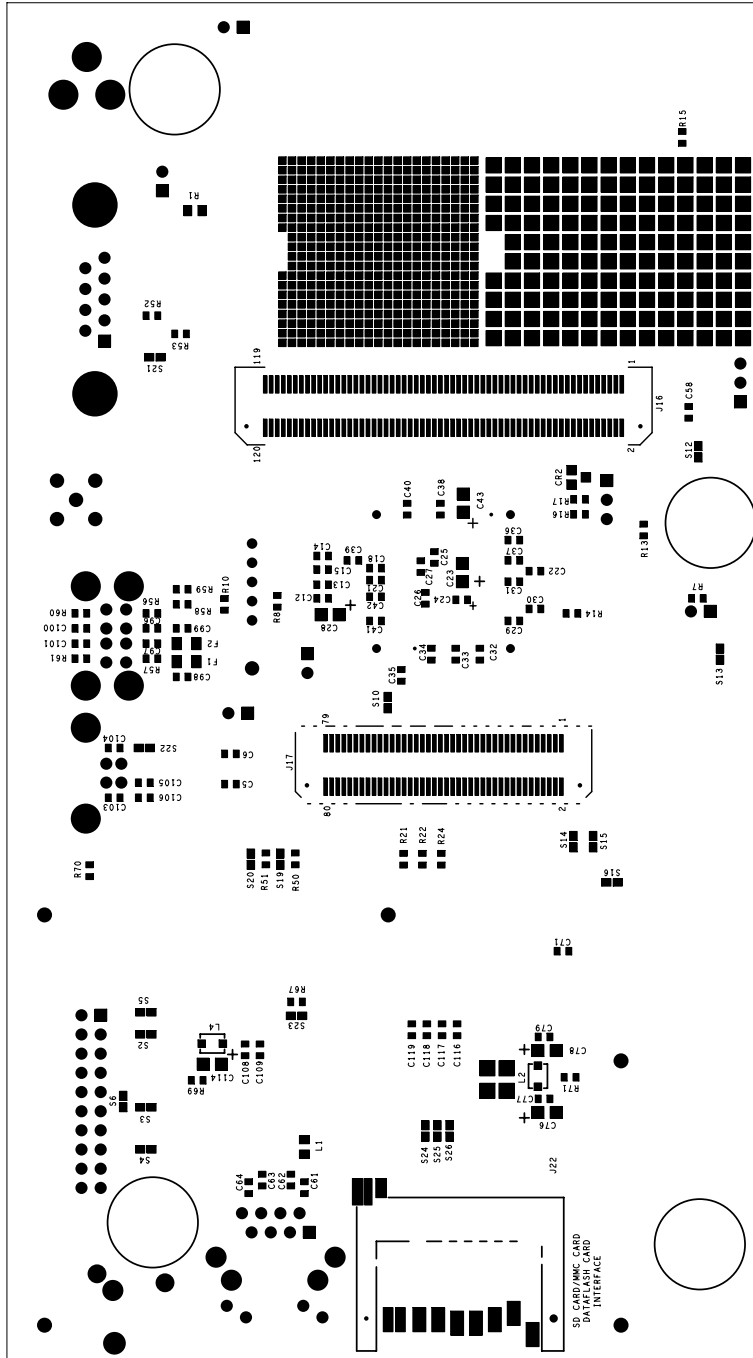


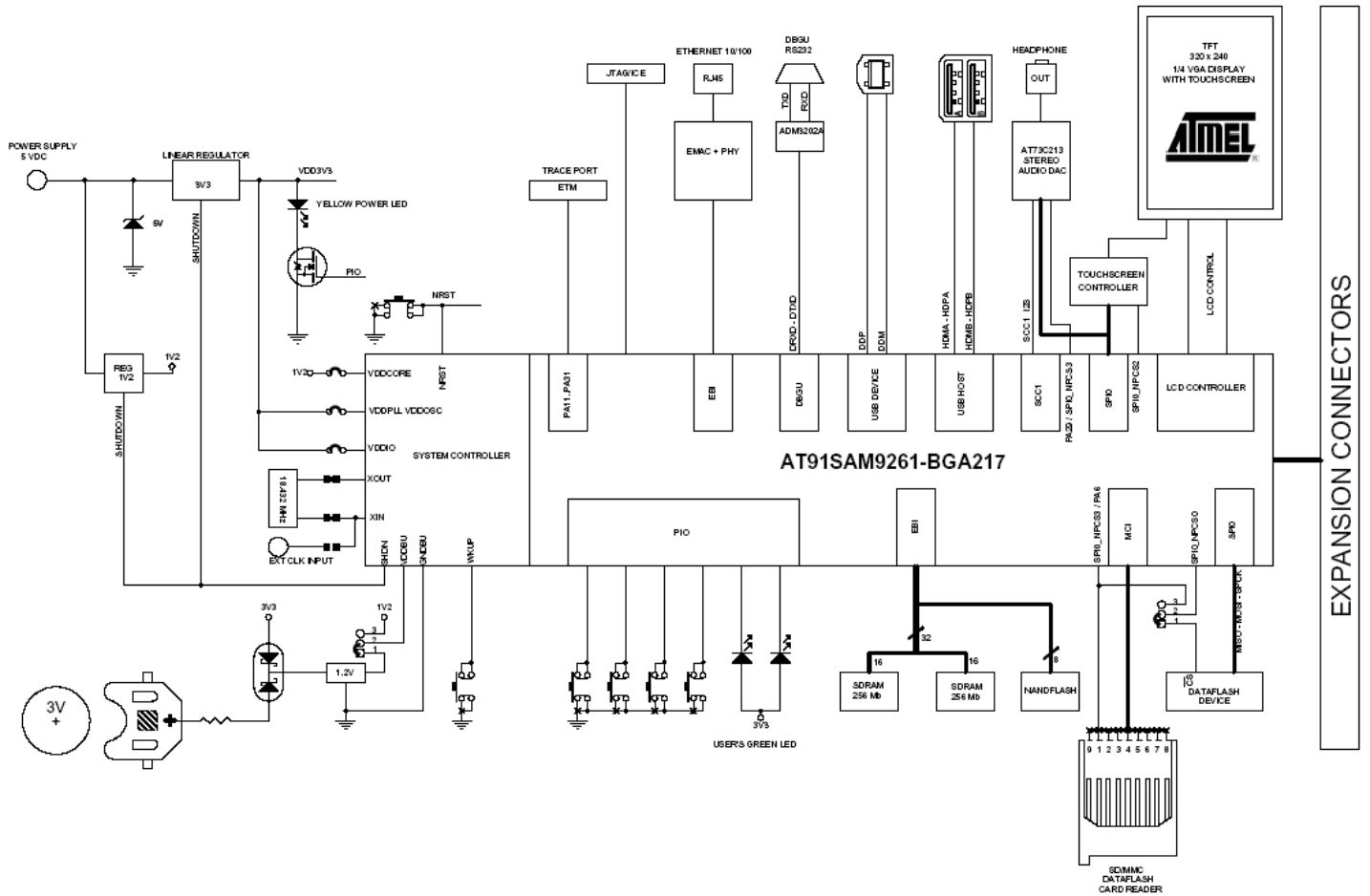
Figure 2-2. AT91SAM9261-EK Layout - Bottom View



-
- 2.4 Powering Up the Board** AT91SAM9261-EK requires 5V DC ($\pm 5\%$). DC power is supplied to the board via the 2.1 mm by 5.5 mm socket (J1). The coaxial power plug center pin is positive polarity .
-
- 2.5 Backup Power Supply** The user has the possibility to add a battery (3V Lithium Battery CR1225 or equivalent) in order to permanently power the backup part of the device. In this case, J9 configuration must to be set in position 1, 2.
Refer to Table 4-1, "Configuration Jumpers and Straps".
-
- 2.6 Getting Started** The AT91SAM9261-EK evaluation board is delivered with one CD-ROM allowing the user to begin evaluating the AT91 ARM Thumb 32-bit microcontroller quickly. Please refer to the AT91 web site, www.atmel.com/products/AT91/, for the most up-to-date information on getting started with the AT91SAM9261-EK.

2.7 AT91SAM9261-EK Block Diagram

Figure 2-3. Block Diagram







Section 3

Board Description

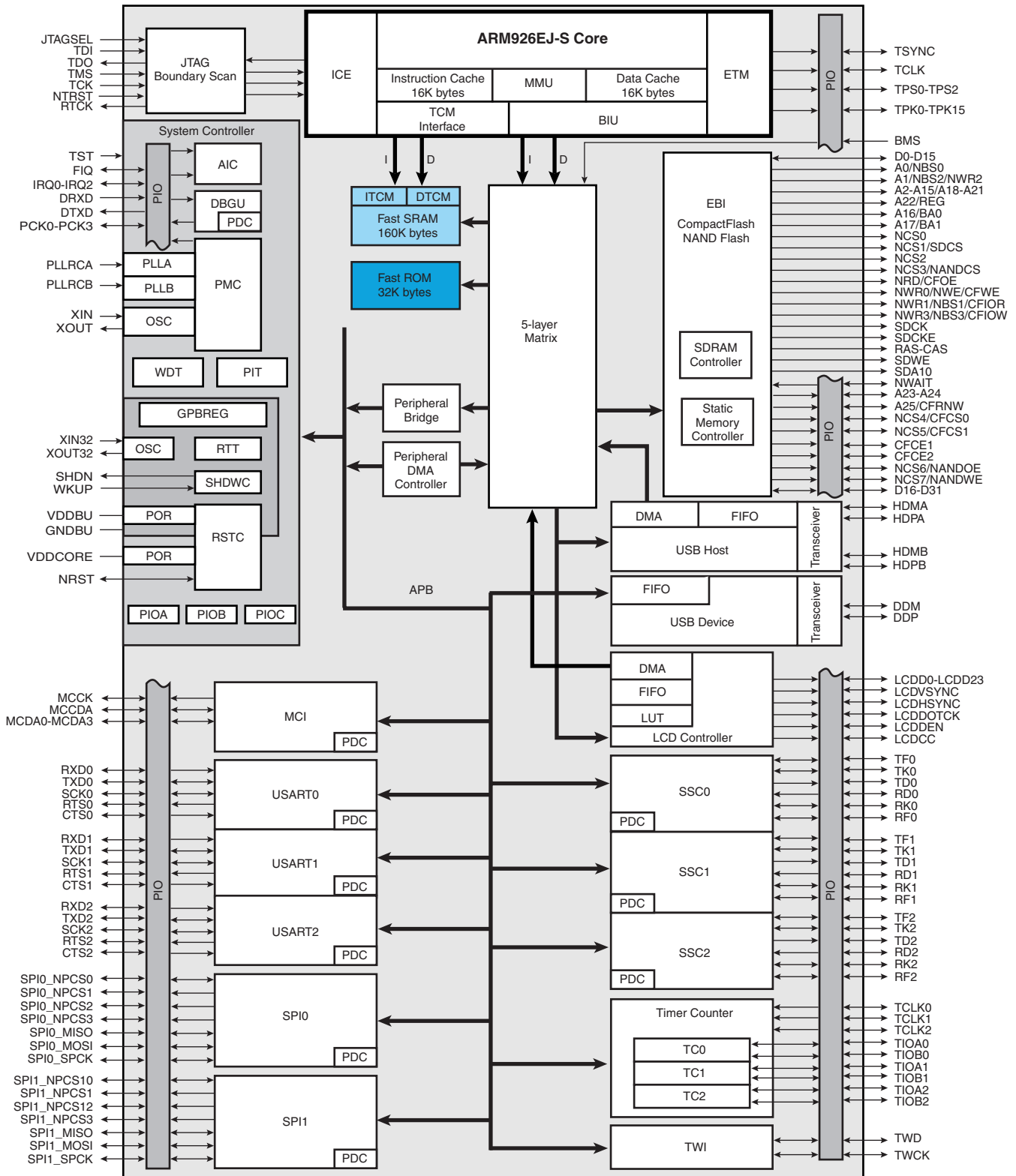
- 3.1 AT91SAM9261 Microcontroller**
- Incorporates the ARM926EJ-S™ ARM Thumb Processor
 - DSP Instruction Extensions
 - ARM Jazelle® Technology for Java® Acceleration
 - 16-KByte Data Cache, 16-KByte Instruction Cache, Write Buffer
 - 200 MIPS at 180 MHz
 - Memory Management Unit
 - EmbeddedICE™ In-circuit Emulation, Debug Communication Channel Support
 - Mid-level implementation Embedded Trace Macrocell™
 - Additional Embedded Memories
 - 32K Bytes of Internal ROM, Single-cycle Access at Maximum Bus Speed
 - 160K Bytes of Internal SRAM, Single-cycle Access at Maximum Processor or Bus Speed
 - External Bus Interface (EBI)
 - Supports SDRAM, Static Memory, NAND Flash and CompactFlash®
 - LCD Controller
 - Supports Passive or Active Displays
 - Up to 16-bits per Pixel in STN Color Mode
 - Up to 16M Colors in TFT Mode (24-bit per Pixel), Resolution up to 2048 x 2048
 - USB
 - USB 2.0 Full Speed (12 Mbits per second) Host Double Port
 - Dual On-chip Transceivers
 - Integrated FIFOs and Dedicated DMA Channels
 - USB 2.0 Full Speed (12 Mbits per second) Device Port
 - On-chip Transceiver, 2-Kbyte Configurable Integrated FIFOs
 - Bus Matrix
 - Handles Five Masters and Five Slaves
 - Boot Mode Select Option

- Remap Command
- Fully Featured System Controller (SYSC) for Efficient System Management, including
 - Reset Controller, Shutdown Controller, Four 32-bit Battery Backup Registers for a Total of 16 Bytes
 - Clock Generator and Power Management Controller
 - Advanced Interrupt Controller and Debug Unit
 - Periodic Interval Timer, Watchdog Timer and Real-time Timer
 - Three 32-bit PIO Controllers
- Reset Controller (RSTC)
 - Based on Power-on Reset Cells, Reset Source Identification and Reset Output Control
- Shutdown Controller (SHDWC)
 - Programmable Shutdown Pin Control and Wake-up Circuitry
- Clock Generator (CKGR)
 - 32.768 kHz Low-power Oscillator on Battery Backup Power Supply, Providing a Permanent Slow Clock
 - 3 to 20 MHz On-chip Oscillator and two PLLs
- Power Management Controller (PMC)
 - Very Slow Clock Operating Mode, Software Programmable Power Optimization Capabilities
 - Four Programmable External Clock Signals
- Advanced Interrupt Controller (AIC)
 - Individually Maskable, Eight-level Priority, Vectored Interrupt Sources
 - Three External Interrupt Sources and One Fast Interrupt Source, Spurious Interrupt Protected
- Debug Unit (DBGU)
 - 2-wire USART and Support for Debug Communication Channel, Programmable ICE Access Prevention
- Periodic Interval Timer (PIT)
 - 20-bit Interval Timer plus 12-bit Interval Counter
- Watchdog Timer (WDT)
 - Key Protected, Programmable Only Once, Windowed 12-bit Counter, Running at Slow Clock
- Real-Time Timer (RTT)
 - 32-bit Free-running Backup Counter Running at Slow Clock
- Three 32-bit Parallel Input/Output Controllers (PIO) PIOA, PIOB and PIOC
 - 96 Programmable I/O Lines Multiplexed with up to Two Peripheral I/Os
 - Input Change Interrupt Capability on Each I/O Line
 - Individually Programmable Open-drain, Pull-up Resistor and Synchronous Output
- Nineteen Peripheral DMA (PDC) Channels

- Multimedia Card Interface (MCI)
 - Compliant with Multimedia Cards and SDCards
 - Automatic Protocol Control and Fast Automatic Data Transfers with PDC, MMC and SDCard Compliant
- Three Synchronous Serial Controllers (SSC)
 - Independent Clock and Frame Sync Signals for Each Receiver and Transmitter
 - I²S Analog Interface Support, Time Division Multiplex Support
 - High-speed Continuous Data Stream Capabilities with 32-bit Data Transfer
- Three Universal Synchronous/Asynchronous Receiver Transmitters (USART)
 - Individual Baud Rate Generator, IrDA[®] Infrared Modulation/Demodulation
 - Support for ISO7816 T0/T1 Smart Card, Hardware and Software Handshaking, RS485 Support
- Two Master/Slave Serial Peripheral Interface (SPI)
 - 8- to 16-bit Programmable Data Length, Four External Peripheral Chip Selects
- One Three-channel 16-bit Timer/Counters (TC)
 - Three External Clock Inputs, Two multi-purpose I/O Pins per Channel
 - Double PWM Generation, Capture/Waveform Mode, Up/Down Capability
- Two-wire Interface (TWI)
 - Master Mode Support, All Two-wire Atmel EEPROMs Supported
- IEEE[®] 1149.1 JTAG Boundary Scan on All Digital Pins
- Required Power Supplies:
 - 1.08V to 1.32V for VDDCORE and VDDBU
 - 3.0V to 3.6V for VDDOSC and for VDDPLL
 - 2.7V to 3.6V for VDDIOP (Peripheral I/Os)
 - 1.65V to 1.95V and 3.0V to 3.6V for VDDIOM (Memory I/Os)
- Available in a 217-ball LFBGA RoHS-compliant Package

3.2 AT91SAM9261 Block Diagram

Figure 3-1. Block Diagram



-
- 3.3 Memory**
- 32 Kbytes of Internal ROM
 - 160 Kbytes of Internal High-speed SRAM
 - Atmel serial DataFlash
 - 64 Mbytes of SDRAM memory
 - 256 Mbytes of NAND Flash memory
-
- 3.4 Clock Circuitry**
- 18.432 MHz standard crystal for the embedded oscillator
 - 32.768 kHz standard crystal for the slow clock oscillator
-
- 3.5 Reset Circuitry**
- Internal reset controller with a bi-directional reset pin
 - External reset push button
-
- 3.6 Shutdown Controller**
- Programmable shutdown and Wake-Up
 - Wake-up push button
-
- 3.7 Power Supply Circuitry**
- For dynamic power consumption, the AT91SAM9261 consumes a maximum of 50 mA on VDDCORE at maximum speed in typical conditions (1.2V, 25°C), processor running full-performance algorithm
 - On-board 1.2V high efficiency step-down charge pump regulator with shutdown control
 - On-board 3.3V linear regulator with shutdown control
-
- 3.8 Remote Communication**
- One Serial interface (DBGU COM Port) via RS-232 DB9 male socket
 - USB V2.0 Full-speed Compliant, 12 Mbits per second (UDP)
 - Two USB Host port V2.0 Full-speed Compliant, 12 Mbits per second (UHP)
 - One Ethernet 100-base TX with three status LEDs
-
- 3.9 Audio Stereo Interface**
- One Atmel stereo audio DAC AT73C213
 - One 32 Ohm/20 mW Stereo Headset output (J20) with Master Volume and Mute Controls
-
- 3.10 User Interface**
- Four user input pushbuttons
 - Two user green LEDs
 - One yellow power LED (can be also software controlled)

- One ¼ VGA display LCD with Touchscreen and white LED backlight

-
- 3.11 Debug Interface**
- 20-pin JTAG/ICE interface connector
 - DBGU COM Port

-
- 3.12 Expansion Slot**
- One DataFlash, SD/MMC card slot
 - All I/Os of the AT91SAM9261 are routed to peripheral extension footprint connectors (J16 and J17). This allows the developer to check the integrity of the components and to extend the features of the board by adding external hardware components or boards.

3.13 PIO Usage

Table 3-1. PIO Controller A

| I/O Line | Peripheral A | Peripheral B | Comments | |
|----------|--------------|--------------|---|-----------------------|
| PA0 | SPI0_MISO | MCDA0 | SD/MMC/DATAFLASH SOCKET (J9) & DATAFLASH DEVICE & TOUCH SCREEN CONTROLLER & AUDIO DAC | SPI0_MISO or MCI0_DA0 |
| PA1 | SPI0_MOSI | MCCDA | SD/MMC/DATAFLASH SOCKET (J9) & DATAFLASH DEVICE & TOUCH SCREEN CONTROLLER & AUDIO DAC | SPI0_MOSI or MCI0_CDA |
| PA2 | SPI0_SPCK | MCCK | SD/MMC/DATAFLASH SOCKET (J9) & DATAFLASH DEVICE & TOUCH SCREEN CONTROLLER & AUDIO DAC | SPI0_SPCK or MCCK |
| PA3 | SPI0_NPCS0 | | DATAFLASH DEVICE or DATAFLASH SOCKET (J9) | SPI0_NPCS0 |
| PA4 | SPI0_NPCS1 | MCDA1 | SD/MMC/DATAFLASH SOCKET (J9) | MCDA1 |
| PA5 | SPI0_NPCS2 | MCDA2 | SD/MMC/DATAFLASH SOCKET (J9) | MCDA2 |
| PA6 | SPI0_NPCS3 | MCDA3 | SD/MMC/DATAFLASH SOCKET (J9) | SPI0_NPCS3 or MCDA3 |
| PA7 | TWD | PCK0 | | |
| PA8 | TWCK | PCK1 | | |
| PA9 | DRXD | PCK2 | SERIAL DEBUG PORT (J15) | DRXD |
| PA10 | DTXD | PCK3 | SERIAL DEBUG PORT (J15) | DTXD |
| PA11 | TSYNC | SCK1 | TOUCH SCREEN CONTROLLER (MN16) BUSY | PA11 |
| PA12 | TCLK | RTS1 | TFT PANEL CONTROL (J23) POWER CONTROL IN | PA12 |
| PA13 | TPS0 | CTS1 | GREEN USER'S LED 1 (DS8) | PA13 |
| PA14 | TPS1 | SCK2 | GREEN USER'S LED 2 (DS7) | PA14 |
| PA15 | TPS2 | RTS2 | | |
| PA16 | TPK0 | CTS2 | | |
| PA17 | TPK1 | TF1 | I2S AUDIO DAC AT73C213 (MN15) LRFS | TF1 |
| PA18 | TPK2 | TK1 | I2S AUDIO DAC AT73C213 (MN15) BCLK | TK1 |
| PA19 | TPK3 | TD1 | I2S AUDIO DAC AT73C213 (MN15) SDIN | TD1 |
| PA20 | TPK4 | RD1 | | |
| PA21 | TPK5 | RK1 | | |
| PA22 | TPK6 | RF1 | | |
| PA23 | TPK7 | RTS0 | YELLOW POWER LED CONTROL (DS1) | PA23 |
| PA24 | TPK8 | SPI1_NPCS1 | USER'S PUSH BUTTON INPUT (BP6) | PA24 |
| PA25 | TPK9 | SPI1_NPCS2 | USER'S PUSH BUTTON INPUT (BP5) | PA25 |
| PA26 | TPK10 | SPI1_NPCS3 | USER'S PUSH BUTTON INPUT (BP4) | PA26 |
| PA27 | TPK11 | SPI0_NPCS1 | USER'S PUSH BUTTON INPUT (BP3) | PA27 |
| PA28 | TPK12 | SPI0_NPCS2 | TOUCH SCREEN CONTROLLER (MN16) | SPI0_NPCS2 |
| PA29 | TPK13 | SPI0_NPCS3 | I2S AUDIO DAC AT73C213 (MN15) | SPI0_NPCS3 |
| PA30 | TPK14 | A23 | | |
| PA31 | TPK15 | A24 | | |

Table 3-2. PIO Controller B

| I/O Line | Peripheral A | Peripheral B | Comments | | |
|----------|--------------|--------------|------------------------------------|----------|-------|
| PB0 | LCDVSYNC | | | | |
| PB1 | LCDHSYNC | | TFT PANEL CONTROL (J23) | LCDHSYNC | |
| PB2 | LCDDOTCK | PCK0 | TFT PANEL CONTROL (J23) | LCDDOTCK | |
| PB3 | LCDDEN | | TFT PANEL CONTROL (J23) | LCDDEN | |
| PB4 | LCDC | LCDD2 | TFT PANEL CONTROL (J23) BACKLIGHT | LCDC | |
| PB5 | LCDD0 | LCDD3 | | | |
| PB6 | LCDD1 | LCDD4 | | | |
| PB7 | LCDD2 | LCDD5 | TFT PANEL CONTROL (J23) | LCDD2 | RED |
| PB8 | LCDD3 | LCDD6 | TFT PANEL CONTROL (J23) | LCDD3 | RED |
| PB9 | LCDD4 | LCDD7 | TFT PANEL CONTROL (J23) | LCDD4 | RED |
| PB10 | LCDD5 | LCDD10 | TFT PANEL CONTROL (J23) | LCDD5 | RED |
| PB11 | LCDD6 | LCDD11 | TFT PANEL CONTROL (J23) | LCDD6 | RED |
| PB12 | LCDD7 | LCDD12 | TFT PANEL CONTROL (J23) | LCDD7 | RED |
| PB13 | LCDD8 | LCDD13 | | | |
| PB14 | LCDD9 | LCDD14 | | | |
| PB15 | LCDD10 | LCDD15 | TFT PANEL CONTROL (J23) | LCDD10 | GREEN |
| PB16 | LCDD11 | LCDD19 | TFT PANEL CONTROL (J23) | LCDD11 | GREEN |
| PB17 | LCDD12 | LCDD20 | TFT PANEL CONTROL (J23) | LCDD12 | GREEN |
| PB18 | LCDD13 | LCDD21 | TFT PANEL CONTROL (J23) | LCDD13 | GREEN |
| PB19 | LCDD14 | LCDD22 | TFT PANEL CONTROL (J23) | LCDD14 | GREEN |
| PB20 | LCDD15 | LCDD23 | TFT PANEL CONTROL (J23) | LCDD15 | GREEN |
| PB21 | TF0 | LCDD16 | | | |
| PB22 | TK0 | LCDD17 | | | |
| PB23 | TD0 | LCDD18 | TFT PANEL CONTROL (J23) | LCDD18 | BLUE |
| PB24 | RD0 | LCDD19 | TFT PANEL CONTROL (J23) | LCDD19 | BLUE |
| PB25 | RK0 | LCDD20 | TFT PANEL CONTROL (J23) | LCDD20 | BLUE |
| PB26 | RF0 | LCDD21 | TFT PANEL CONTROL (J23) | LCDD21 | BLUE |
| PB27 | SPI1_NPCS1 | LCDD22 | TFT PANEL CONTROL (J23) | LCDD22 | BLUE |
| PB28 | SPI1_NPCS0 | LCDD23 | TFT PANEL CONTROL (J23) | LCDD23 | BLUE |
| PB29 | SPI1_SPCK | IRQ2 | USB DEVICE INTERFACE (J19) USB_CNX | PB29 | |
| PB30 | SPI1_MISO | IRQ1 | | | |
| PB31 | SPI1_MOSI | PCK2 | I2S AUDIO DAC AT73C213 (MN15) MCLK | PCK2 | |

Table 3-3. PIO Controller C

| I/O Line | Peripheral A | Peripheral B | Comments | |
|----------|--------------|--------------|---|--------|
| PC0 | NANDOE | NCS6 | NAND FLASH DEVICE (MN6x) | NANDOE |
| PC1 | NANDWE | NCS7 | NAND FLASH DEVICE (MN6x) | NANDWE |
| PC2 | NWAIT | IRQ0 | TOUCH SCREEN CONTROLLER (MN16) PENIRQ | IRQ0 |
| PC3 | A25/CFRNW | | | |
| PC4 | NCS4/CFCS0 | | | |
| PC5 | NCS5/CFCS1 | | | |
| PC6 | CFCE1 | | | |
| PC7 | CFCE2 | | | |
| PC8 | TXD0 | PCK2 | | |
| PC9 | RXD0 | PCK3 | | |
| PC10 | RTS0 | SCK0 | ETHERNET CONTROLLER (MN8) RST | PC10 |
| PC11 | CTS0 | FIQ | ETHERNET CONTROLLER (MN8) IRQ | PC11 |
| PC12 | TXD1 | NCS6 | | |
| PC13 | RXD1 | NCS7 | | |
| PC14 | TXD2 | SPI1_NPCS2 | NAND FLASH DEVICE (MN6x) CHIP ENABLE (CE) | PC14 |
| PC15 | RXD2 | SPI1_NPCS3 | NAND FLASH DEVICE (MN6x) READY/BUSY (R/B) | PC15 |
| PC16 | D16 | TCLK0 | EBI DATA BUS D16 | D16 |
| PC17 | D17 | TCLK1 | EBI DATA BUS D17 | D17 |
| PC18 | D18 | TCLK2 | EBI DATA BUS D18 | D18 |
| PC19 | D19 | TIOA0 | EBI DATA BUS D19 | D19 |
| PC20 | D20 | TIOB0 | EBI DATA BUS D20 | D20 |
| PC21 | D21 | TIOA1 | EBI DATA BUS D21 | D21 |
| PC22 | D22 | TIOB1 | EBI DATA BUS D22 | D22 |
| PC23 | D23 | TIOA2 | EBI DATA BUS D23 | D23 |
| PC24 | D24 | TIOB2 | EBI DATA BUS D24 | D24 |
| PC25 | D25 | TF2 | EBI DATA BUS D25 | D25 |
| PC26 | D26 | TK2 | EBI DATA BUS D26 | D26 |
| PC27 | D27 | TD2 | EBI DATA BUS D27 | D27 |
| PC28 | D28 | RD2 | EBI DATA BUS D28 | D28 |
| PC29 | D29 | RK2 | EBI DATA BUS D29 | D29 |
| PC30 | D30 | RF2 | EBI DATA BUS D30 | D30 |
| PC31 | D31 | PCK1 | EBI DATA BUS D31 | D31 |





Section 4

Configuration Straps

4.1 Configuration Straps

Table 4-1 gives details on configuration straps on the AT91SAM9261-EK evaluation board and their default settings.

Table 4-1. Configuration Jumpers and Straps

| Designation | Default Setting | Feature |
|-------------|-----------------|--|
| J2 | Closed | 3.3V Jumper ⁽¹⁾ This jumper footprint is provided for 3.3V power consumption measurement use. By default, it is closed. To use this feature, the user has to open the strap by cutting it before soldering a jumper. |
| J3 | Closed | Forces power on. To use the software shutdown control, J3 must be opened. |
| J4 | Opened | Enables Boot on the internal ROM |
| | Closed | Enables Boot on the NCS0 |
| J8 | Closed | VDDPLL Jumper ⁽¹⁾ |
| J9 | 2-3 | VDDBU Jumper select ⁽¹⁾ 1-2 : Lithium 3V Battery 2-3 : 1.2V from VDDCORE |
| J12 | Closed | VDDCORE Jumper ⁽¹⁾ |
| J21 | 1-2 | NPCS0 select 1-2: DataFlash device (MN7) 2-3: DataFlash card interface (J22) Warning: In this case NPCS03 must be configured as input. |
| S2 | Opened | Disables the ICE NTRST input |
| S3 | Closed | Enables the ICE RTCK return. S6 must be opened |
| S4 | Closed | Enables the ICE NRST input |
| S5 | Opened | Selects ICE mode or JTAG mode (See Section 6, Errata) |
| S6 | Opened | Disables TCK <-> RTCK local loop. If S6 is closed, S3 must be opened. |

Table 4-1. Configuration Jumpers and Straps

| Designation | Default Setting | Feature |
|-------------|-----------------|--|
| S7-S8 S9 | Closed | Enables the use of 18.432 MHz crystal. If external clock used, S7-S8 must be opened and S9 closed. |
| | Opened | |
| S10 | Closed | Enables the use of SDRAM (NCS1_SDCS) |
| S12 | Opened | Disables Serial DataFlash write protect. |
| S13 | Closed | Disables NAND FLASH write protect. |
| S14 | Closed | Enables the use of interrupt ETHERNET MAC (PC11_FIQ). |
| S15 | Closed | Enables the use of ETHERNET MAC (NCS2). |
| S16 | Opened | Disables the use of NWAIT ETHERNET MAC signal (PC2_NWAIT) |
| S19 | Closed | Enables the use of the User LED DS7 (PA14) |
| S20 | Closed | Enables the use of the User LED DS8 (PA13) |
| S21 | Closed | Enables the use of the DBGU RXD signal (PA9) |
| S22 | Closed | Enables the use of the USB CNX detection (PB29) |
| S23 | Closed | Enables the use of AUDIO DAC INTERFACE (NPCS03) |
| S24 | Closed | Enables the use of TOUCH SCEEN CONTROLLER (NPCS02) |
| S25 | Closed | Enables the use of TOUCH SCEEN CONTROLLER BUSY signal (PA11) |
| S26 | Closed | Enables the use of TOUCH SCEEN CONTROLLER PENIRQ (PC2_IRQ0) |
| TP1 | N.A | 3.3V Test point. |
| TP2 | N.A | GND Test point. |
| TP3 | N.A | 1.2V Test point. |
| TP4 | N.A | GND Test point. |
| TP63 | N.A | 0 to 3.3V analog user's input |
| TP64 | N.A | 0 to 3.3V analog user's input |
| TP65 | N.A | AGND of TP63 |
| TP66 | N.A | AGND of TP64 |

Note: 1. These jumpers are provided for measuring power consumption. By default, they are closed. To use this feature, the user has to open the strap and insert an ammeter.



Section 5

Schematics

5.1 Schematics

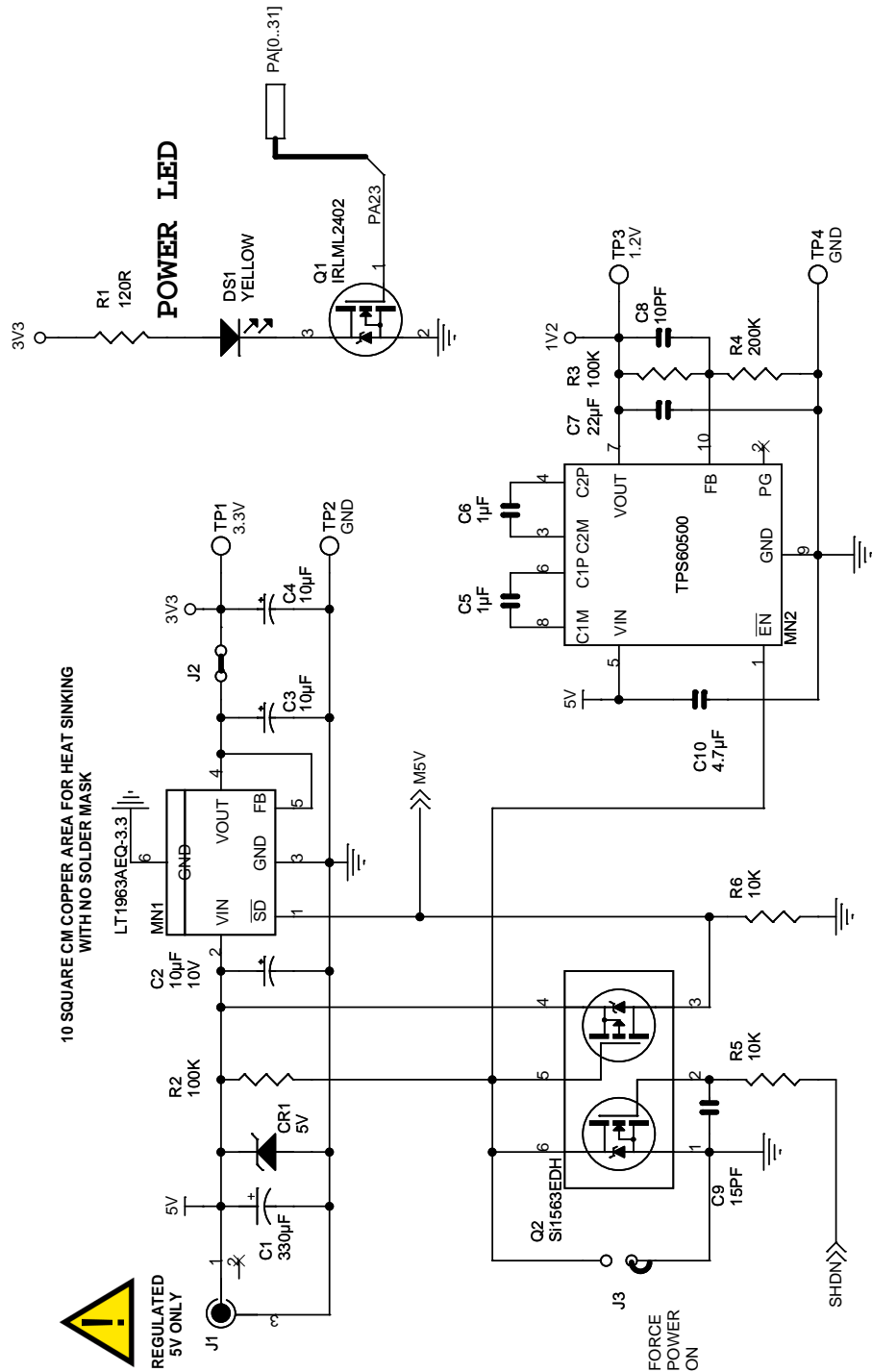
This section contains the following schematics:

- Power Supply and Audio
- AT91SAM9261
- SDRAM and NAND Flash
- Ethernet
- LCD and User Interface
- Serial and I/O Expansion

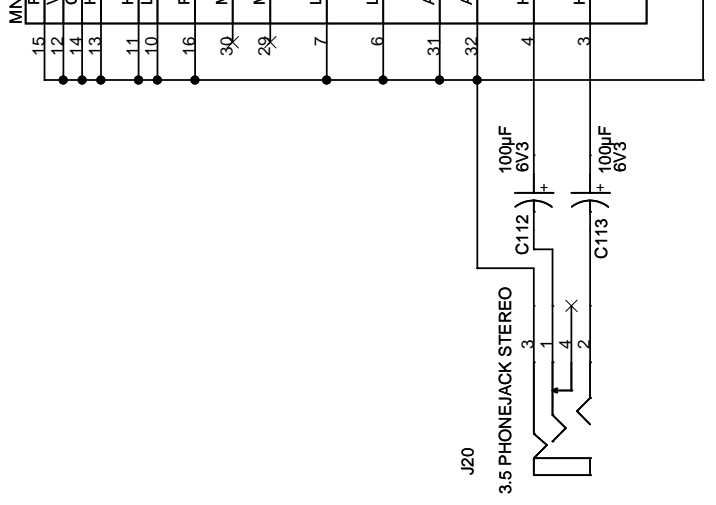


REGULATED 5V ONLY

10 SQUARE CM COPPER AREA FOR HEAT SINKING WITH NO SOLDER MASK

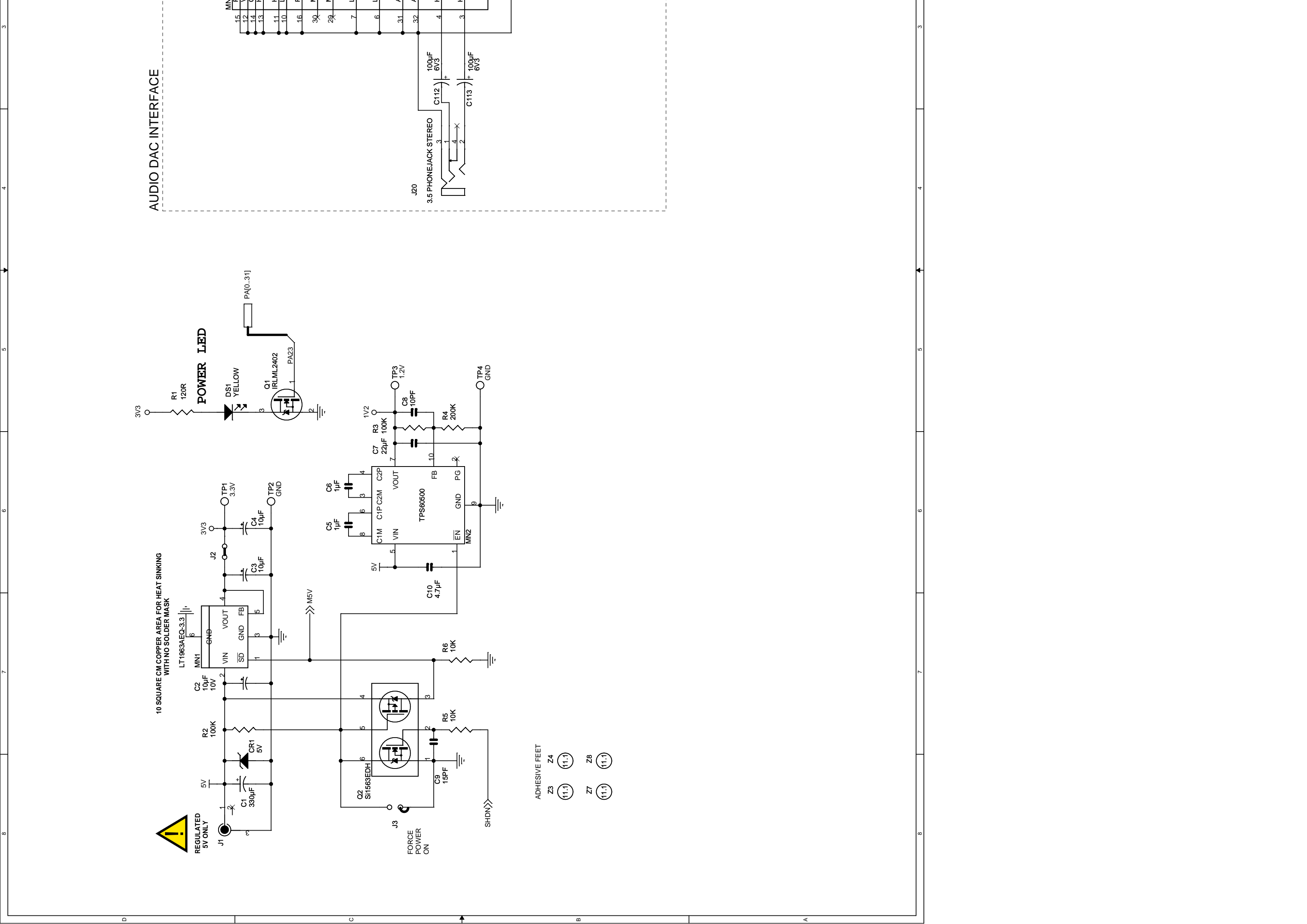


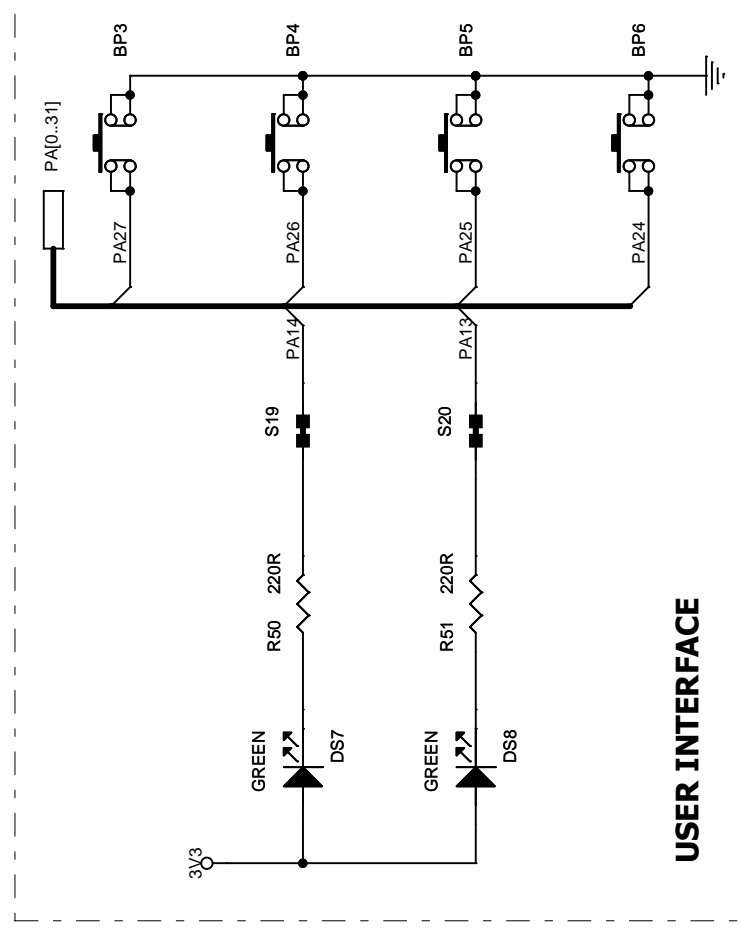
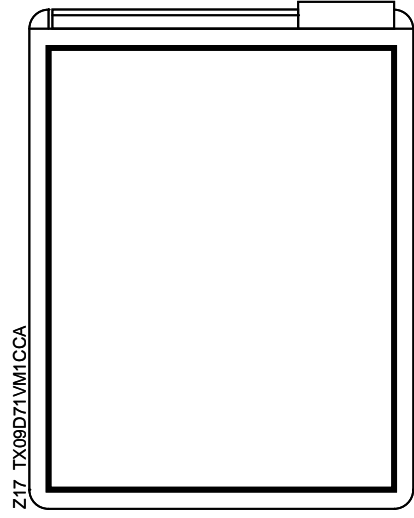
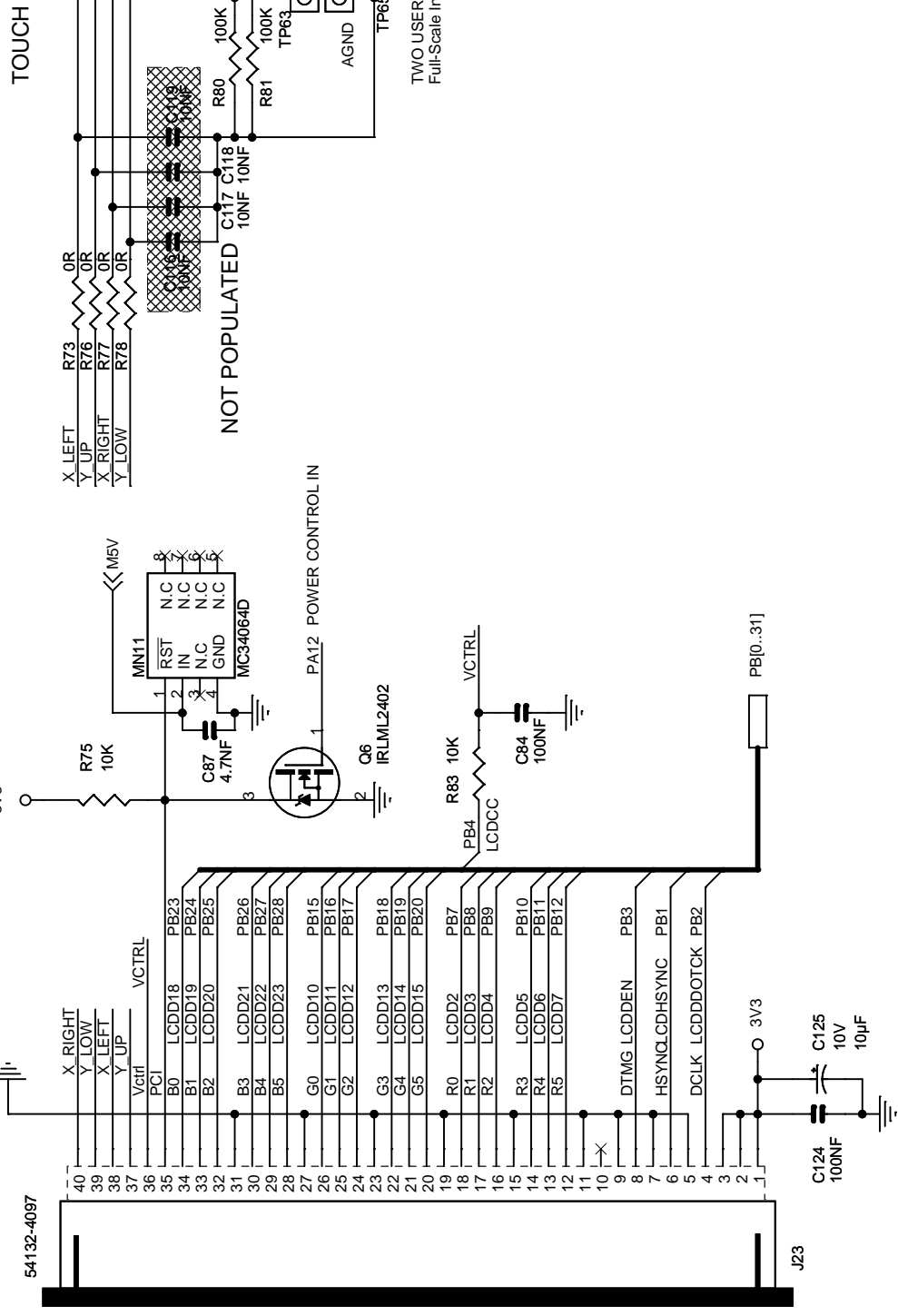
AUDIO DAC INTERFACE



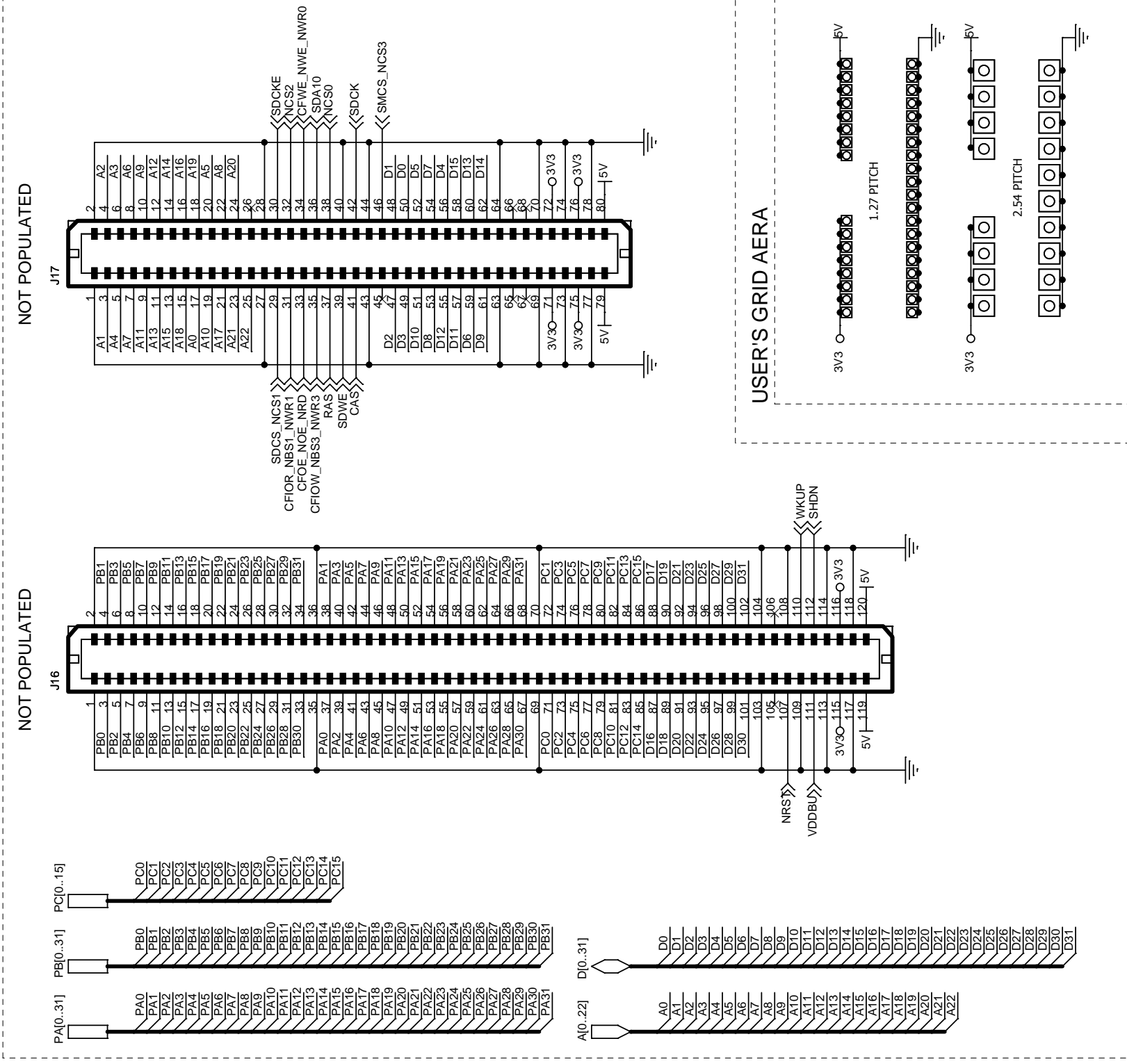
ADHESIVE FEET

- Z3 (11.1)
- Z4 (11.1)
- Z7 (11.1)
- Z8 (11.1)





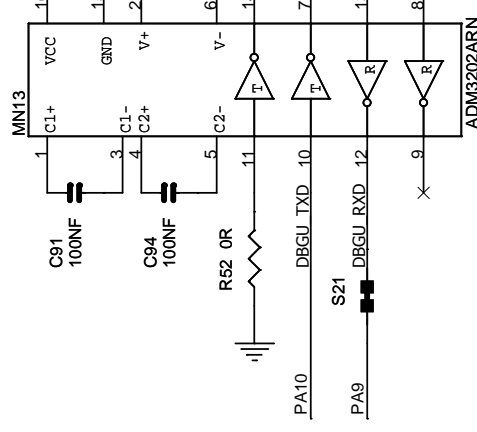
EXPANSION CONNECTORS



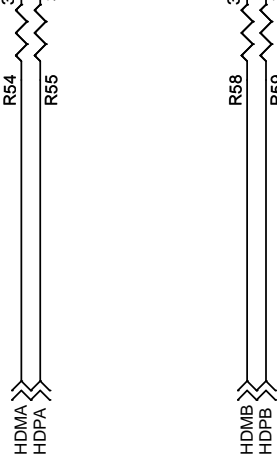
NOT POPULATED

NOT POPULATED

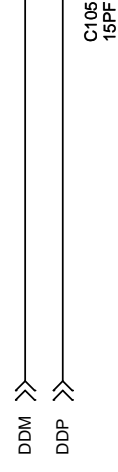
USER'S GRID AERA



USB HOST INTERFACE



USB DEVICE INTERFACE







Section 6

Errata

-
- 6.1 JTAGSEL S5 Footprint Selector**
- For JTAG selection, the S5 footprint must never be soldered, else the chip can be damaged.
- By default, the JTAGSEL input pin integrates a pull-down resistor (ICE mode).
- To select JTAG mode, the designer should connect the JTAGSEL input pin to VDDBU power.





Section 7

Revision History

7.1 Revision History

Table 7-1.

| Document | Comments | Change Request Ref. |
|----------|---|---------------------|
| 6198A | First issue. | |
| 6198B | Removed DataFlash card from list in Section 1.2 "Deliverables" . | |
| | Removed references to 32-bit serial DataFlash, ref. AT45DB321C in Section 1.3 "The AT91SAM9261-EK Evaluation Board" , Figure 2-3 on page 5 "Block Diagram", Section 3.3 "Memory" , Table 4-1 "Configuration Jumpers and Straps" and in schematic 3/6 "SDRAM and NANDFLASH". In Figure 2-3 on page 5 "Block Diagram" changed size of NANDFlash to 2 Gb. | 2733 |
| | Specified TRACE PORT as NOT POPULATED in Figure 2-3 on page 5 "Block Diagram". Changed all instances of DNP to NOT POPULATED in Schematics 2/6 "AT91SAM9261", 4/6 "Ethernet" and 5/6 "LCD and User Interface". | 2736 |
| 6198C | New Figure 2-1 "AT91SAM9261-EK Layout - Top View" and new Figure 2-2 "AT91SAM9261-EK Layout - Bottom View" | 3542 |
| | Updated Section 2.6 "Getting Started" . | |
| | In Section 2.3 "Layout" , updated Figure 2-3, "Block Diagram". | |
| | Added Section 3.13 "PIO Usage" . | |
| | In Section 4.1 "Configuration Straps" , updated Table 4-1, S5, with reference to Errata section. | |
| | Updated all schematics in Section 5.1 "Schematics" . | |
| | Added Section 6, Errata. | |





Atmel Corporation

2325 Orchard Parkway
San Jose, CA 95131, USA
Tel: 1(408) 441-0311
Fax: 1(408) 487-2600

Regional Headquarters

Europe

Atmel Sarl
Route des Arsenalux 41
Case Postale 80
CH-1705 Fribourg
Switzerland
Tel: (41) 26-426-5555
Fax: (41) 26-426-5500

Asia

Room 1219
Chinachem Golden Plaza
77 Mody Road Tsimshatsui
East Kowloon
Hong Kong
Tel: (852) 2721-9778
Fax: (852) 2722-1369

Japan

9F, Tonetsu Shinkawa Bldg.
1-24-8 Shinkawa
Chuo-ku, Tokyo 104-0033
Japan
Tel: (81) 3-3523-3551
Fax: (81) 3-3523-7581

Atmel Operations

Memory

2325 Orchard Parkway
San Jose, CA 95131, USA
Tel: 1(408) 441-0311
Fax: 1(408) 436-4314

Microcontrollers

2325 Orchard Parkway
San Jose, CA 95131, USA
Tel: 1(408) 441-0311
Fax: 1(408) 436-4314

La Chantrerie

BP 70602
44306 Nantes Cedex 3, France
Tel: (33) 2-40-18-18-18
Fax: (33) 2-40-18-19-60

ASIC/ASSP/Smart Cards

Zone Industrielle
13106 Rousset Cedex, France
Tel: (33) 4-42-53-60-00
Fax: (33) 4-42-53-60-01

1150 East Cheyenne Mtn. Blvd.
Colorado Springs, CO 80906, USA
Tel: 1(719) 576-3300
Fax: 1(719) 540-1759

Scottish Enterprise Technology Park
Maxwell Building
East Kilbride G75 0QR, Scotland
Tel: (44) 1355-803-000
Fax: (44) 1355-242-743

RF/Automotive

Theresienstrasse 2
Postfach 3535
74025 Heilbronn, Germany
Tel: (49) 71-31-67-0
Fax: (49) 71-31-67-2340

1150 East Cheyenne Mtn. Blvd.
Colorado Springs, CO 80906, USA
Tel: 1(719) 576-3300
Fax: 1(719) 540-1759

Biometrics

Avenue de Rochepleine
BP 123
38521 Saint-Egreve Cedex, France
Tel: (33) 4-76-58-47-50
Fax: (33) 4-76-58-47-60



Disclaimer: The information in this document is provided in connection with Atmel products. No license, express or implied, by estoppel or otherwise, to any intellectual property right is granted by this document or in connection with the sale of Atmel products. **EXCEPT AS SET FORTH IN ATMEL'S TERMS AND CONDITIONS OF SALE LOCATED ON ATMEL'S WEB SITE, ATMEL ASSUMES NO LIABILITY WHATSOEVER AND DISCLAIMS ANY EXPRESS, IMPLIED OR STATUTORY WARRANTY RELATING TO ITS PRODUCTS INCLUDING, BUT NOT LIMITED TO, THE IMPLIED WARRANTY OF MERCHANTABILITY, FITNESS FOR A PARTICULAR PURPOSE, OR NON-INFRINGEMENT. IN NO EVENT SHALL ATMEL BE LIABLE FOR ANY DIRECT, INDIRECT, CONSEQUENTIAL, PUNITIVE, SPECIAL OR INCIDENTAL DAMAGES (INCLUDING, WITHOUT LIMITATION, DAMAGES FOR LOSS OF PROFITS, BUSINESS INTERRUPTION, OR LOSS OF INFORMATION) ARISING OUT OF THE USE OR INABILITY TO USE THIS DOCUMENT, EVEN IF ATMEL HAS BEEN ADVISED OF THE POSSIBILITY OF SUCH DAMAGES.** Atmel makes no representations or warranties with respect to the accuracy or completeness of the contents of this document and reserves the right to make changes to specifications and product descriptions at any time without notice. Atmel does not make any commitment to update the information contained herein. Unless specifically provided otherwise, Atmel products are not suitable for, and shall not be used in, automotive applications. Atmel's products are not intended, authorized, or warranted for use as components in applications intended to support or sustain life.

© 2006 Atmel Corporation. All rights reserved. Atmel®, logo and combinations thereof, and Everywhere You Are®, DataFlash® and others are registered trademarks or trademarks of Atmel Corporation or its subsidiaries. ARM®, the ARMPowered® logo, Thumb® and others are registered trademarks or trademarks of ARM Ltd. Other terms and product names may be trademarks of others.

Literature Requests

www.atmel.com/literature



Printed on recycled paper.

6198C-ATARM-15-Dec-06

Looking for pricing, stock, or lifecycle information?

Click below to explore more details on WIN SOURCE:

- ⊖ [View AT91SAM9261-EK on WIN SOURCE](#)
- ⊖ [Microchip Technology](#) Information

Optimize Your Supply Chain with WIN SOURCE Solutions

- ✓ Global Sourcing Solution
- ✓ Obsolete Management
- ✓ Cost Control Management
- ✓ Shortage Management
- ✓ Alternative Solution
- ✓ Excess Inventory Management