

NEW



0.5mm Pitch Stacking Type Board-to-Board Connector

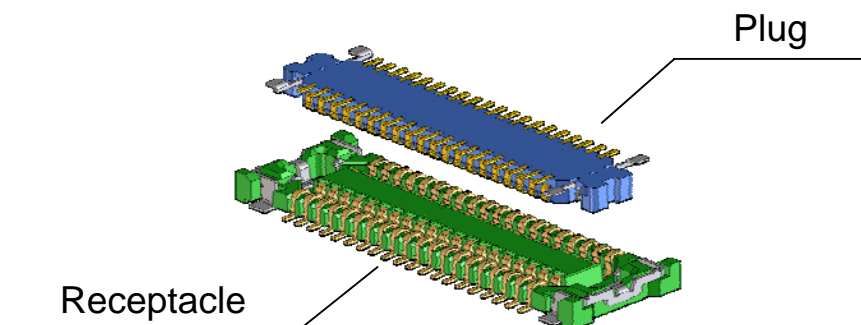
CONNECTOR

MB-0197-2

January 2011

AA01A Series

RoHS Compliant



The AA01A Series connectors are 0.5mm-pitch, stacking type, board-to-board connectors ideal for slim, low-profile devices such as mobile phones, LCDs, notebook PCs, and PDAs, which have high density mounting requirements.

Features

- * 0.5mm pitch, 2 rows, 10 to 60 positions, 1.5mm stacking height.
- *The contact structure and surface shape ensure high abrasion resistance and high contact reliability.
- * Secure hold-downs prevent insulator breakage and peeling from FPC for both plug and receptacle.
- *2-point contact design to resist twisting stress.
- *Pb-free. Nickel barrier finish on contact prevents solder migration.

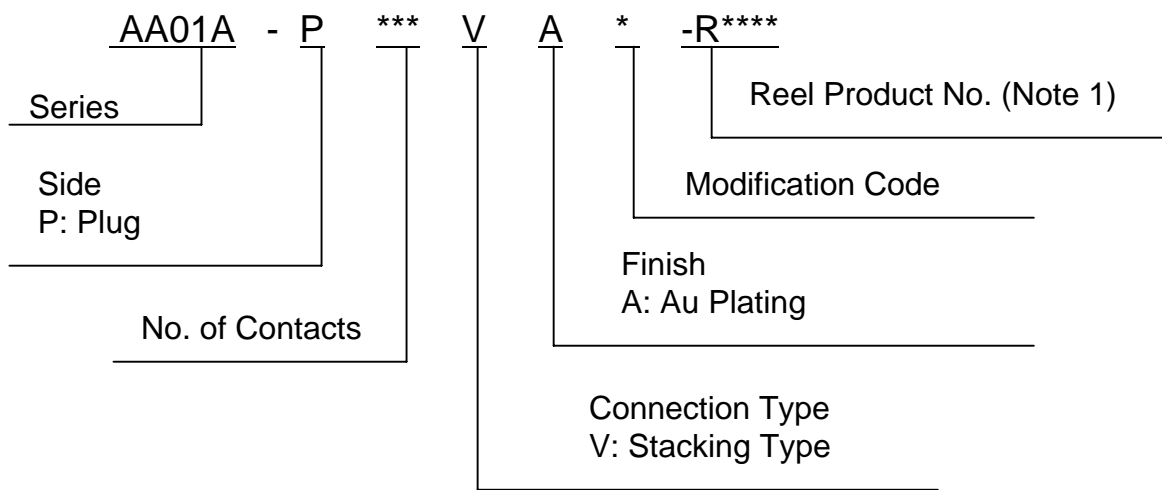
General Specifications

- | | |
|---|---|
| ■No. of Contacts :
10, 30, 40, 60 pos. | ■Rated Current: AC, DC 0.2A / per pos. |
| ■Pitch: 0.5mm, 2 rows | ■Rated Voltage: AC, DC 50V |
| ■Operating Temperature:
-40 Deg. C to +85 Deg. C | ■Insulation Resistance: 100M ohm min. (initial) |
| ■Contact Resistance:
70m ohm max. (initial) | ■Dielectric Withstanding Voltage:
AC250Vr.m.s per minute |
| ■Durability: 30 mating cycles | ■Total Insertion Force:
1N x n max. (n: pos.) |
| | ■Total Withdrawal Force:
0.2Nx n min. (n: pos.) |

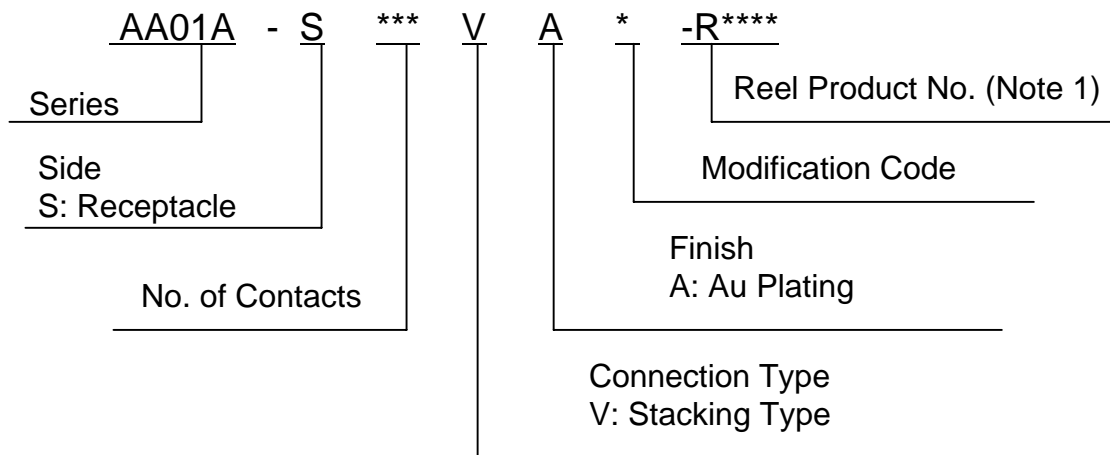
Materials and Finishes

Component	Material / Finish
Contact	Copper alloy / Au plating (0.1um min.)
Insulator	Heat resistant plastic
Hold-down	Plug: Copper alloy / Sn plating Receptacle: Copper alloy / Sn plating

Ordering Information



Ordering Information

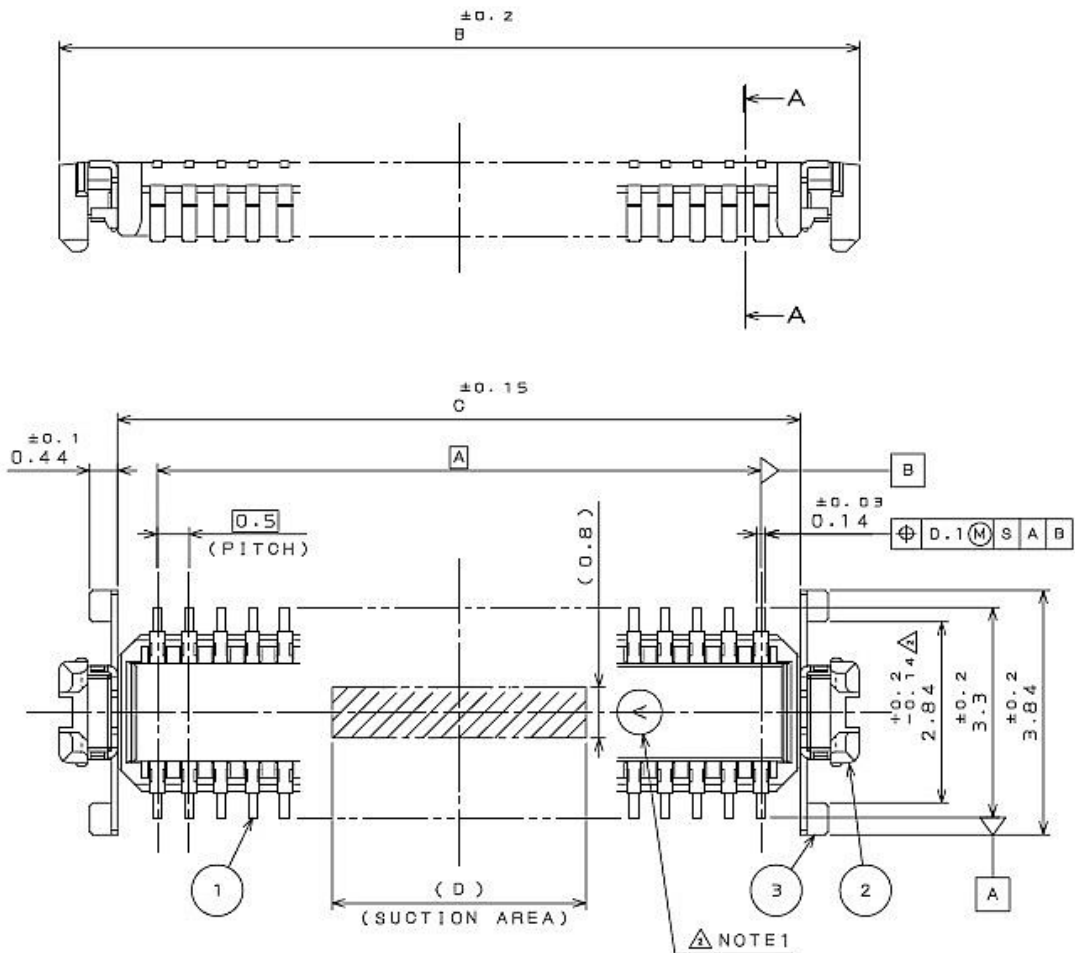
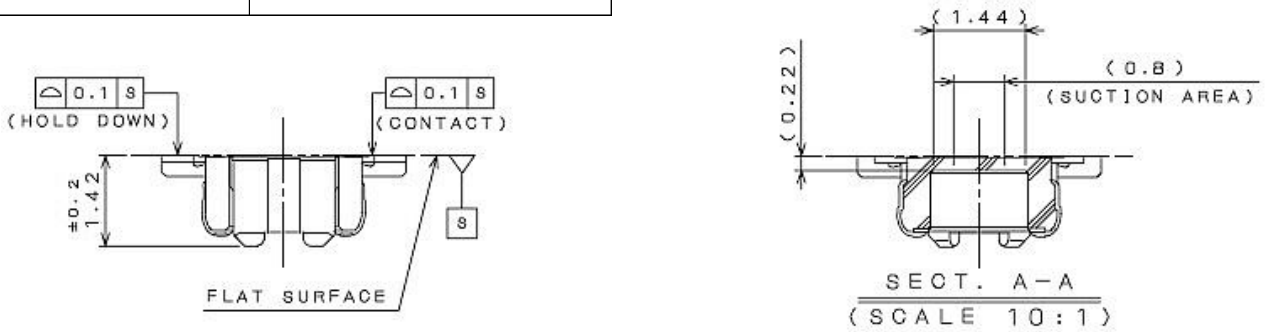


(Note 1) An embossed tape reel contains 3000 pieces.

For information on emboss taping specifications, please contact us directly.

Plug

Part Number	AA01A-P***VA1
SJ Drawing	SJ036738



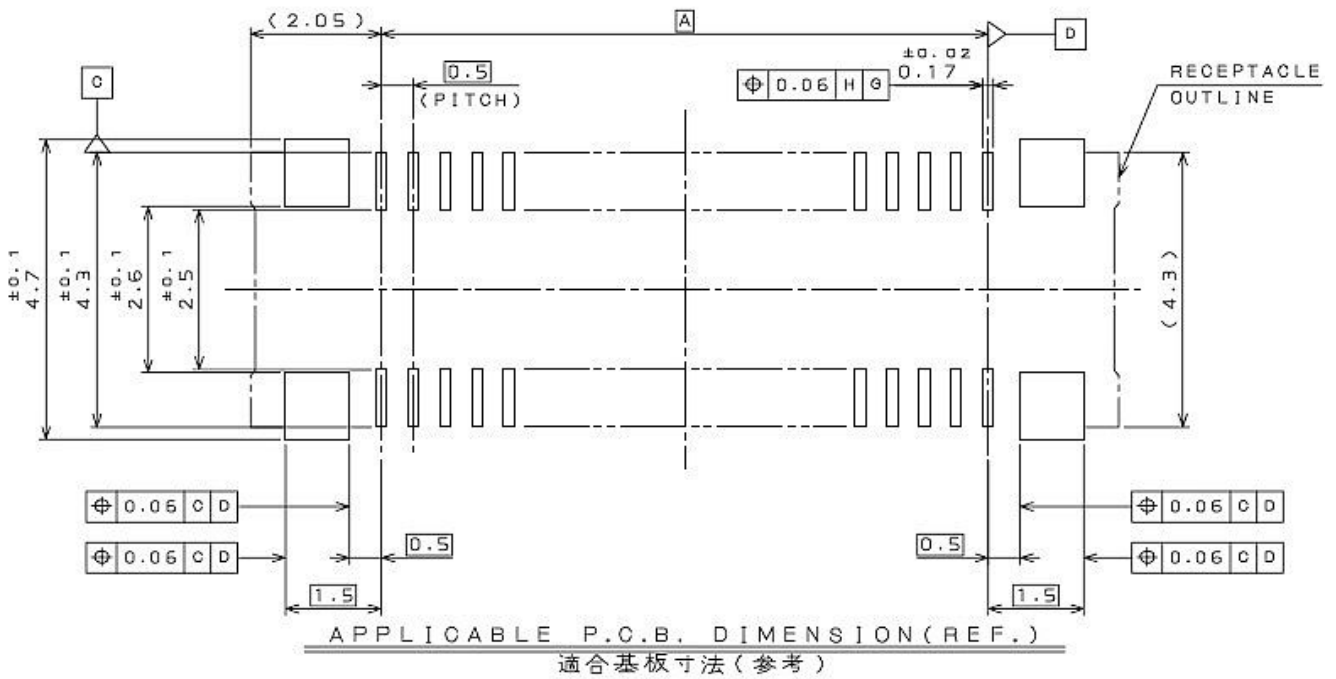
名称 (TITLE)	A	B	C	D
AA01A-P010VA1	2.0	5.1	3.24	2.0
AA01A-P030VA1	7.0	10.1	8.24	2.0
AA01A-P040VA1	9.5	12.6	10.74	4.0
AA01A-P060VA1	14.5	17.6	15.74	4.0

Note 1) Coplanarity 0.1 mm max.

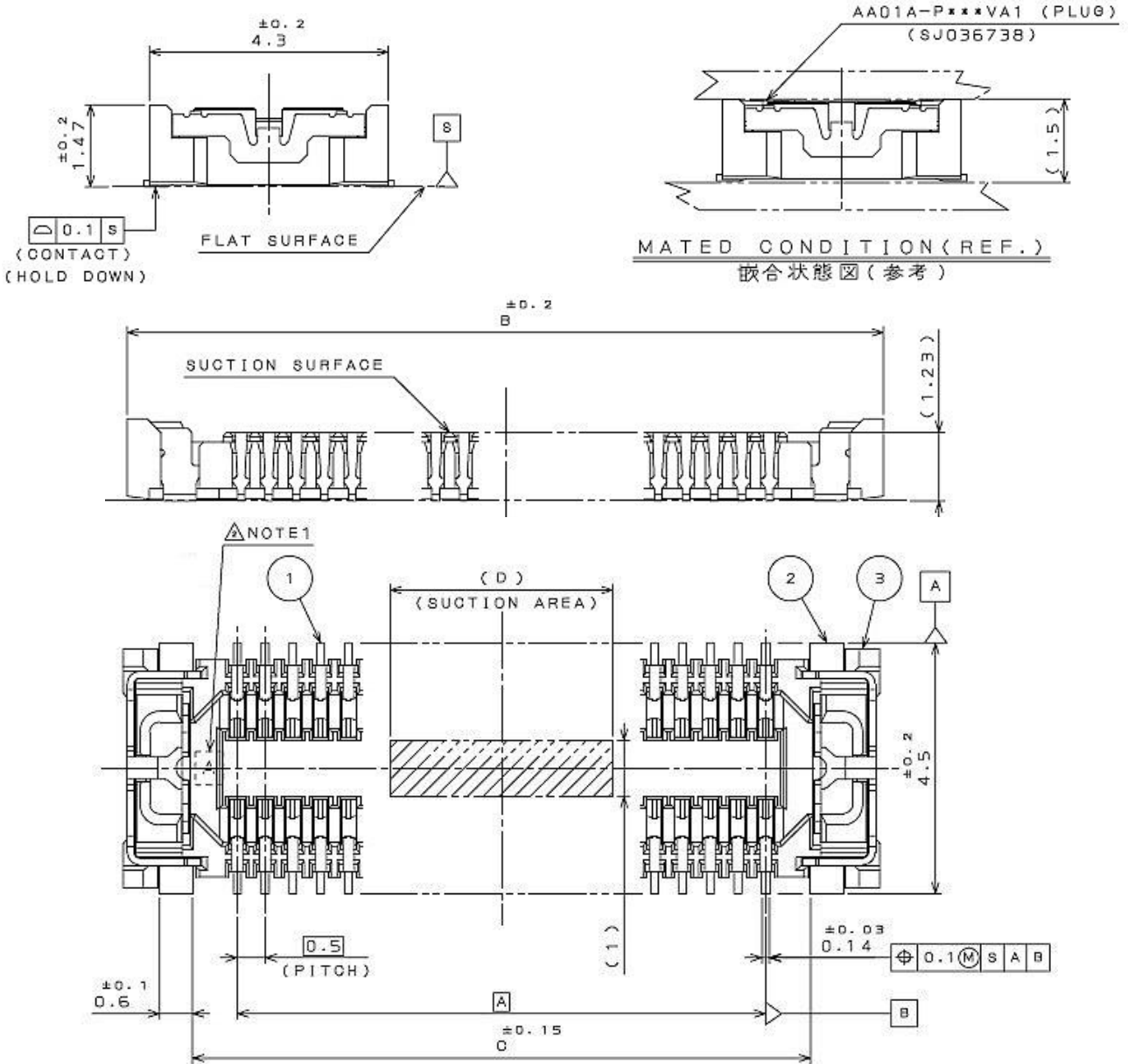
Note 2) An embossed tape reel contains 3000 pieces.

Please contact us for details of embossed tape specifications

Part Number	AA01A-P***VA1
SJ Drawing	SJ036738



Part Number	AA01A-S***VA1
SJ Drawing	SJ036740



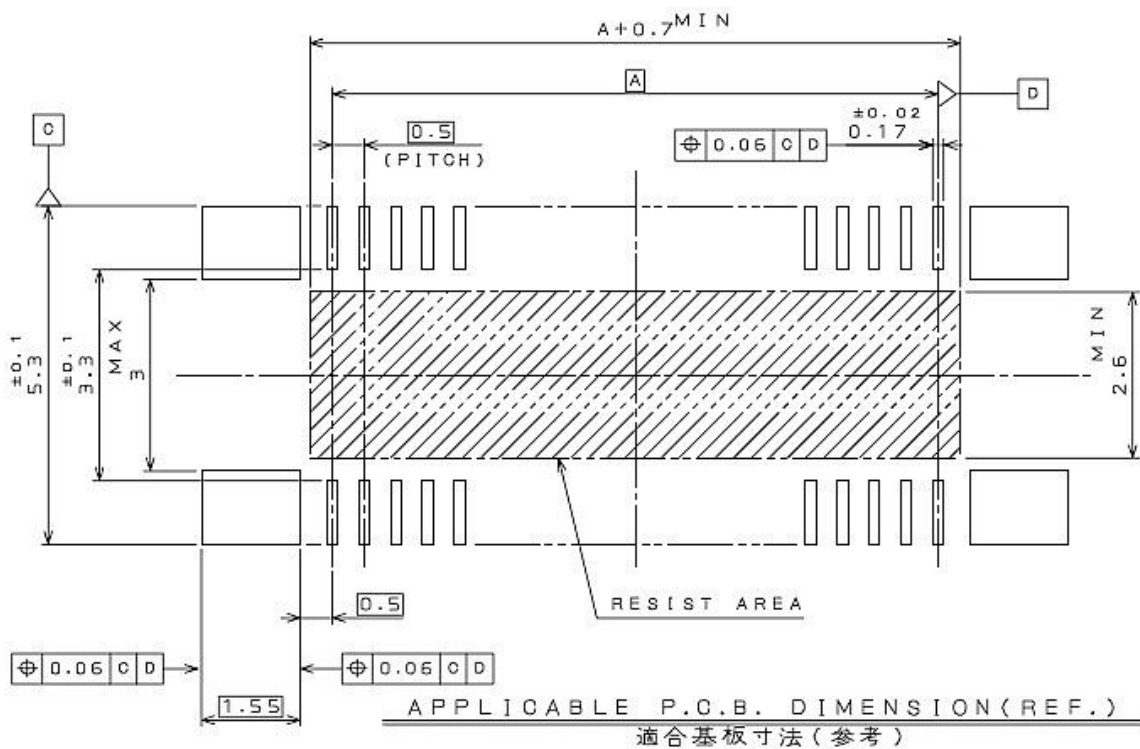
名称 (TITLE)	A	B	C	D
AA01A-S010VA1	2.0	6.1	3.6	2.0
AA01A-S030VA1	7.0	11.1	8.6	2.0
AA01A-S040VA1	9.5	13.6	11.1	4.0
AA01A-S060VA1	14.5	18.6	16.1	4.0

Note 1) Coplanarity 0.1 mm max.

Note 2) An embossed tape reel contains 3000 pieces.

Please contact us for details of embossed tape specifications

Part Number	AA01A-S***VA1
SJ Drawing	SJ036740



Japan Aviation Electronics Industry, Limited

Product Marketing Division
 Aobadai Building, 3-1-19, Aobadai, Meguro-ku, Tokyo 153-8539
 Phone: +81-3-3780-2787 FAX: +81-3-3780-2946

Notice: Products shown in this brochure are made for the applications listed below. However, if the above-mentioned products are to be used in aerospace devices, marine cable-connection devices, atomic power control systems, medical equipment for life-support systems, or any other specific application requiring extremely high reliability, please contact JAE for further information.
 Recommended applications: Computers, Office machines, Measuring devices, Telecommunication devices (Terminals, Mobile devices), AV devices, Household applications, FA devices, etc.

Looking for pricing, stock, or lifecycle information?

Click below to explore more details on WIN SOURCE:

- ⊖ [View AA01A-S010VAT-0001](#) on WIN SOURCE
- ⊖ [JAE Electronics](#) Information

Optimize Your Supply Chain with WIN SOURCE Solutions

- ✓ Global Sourcing Solution
- ✓ Obsolete Management
- ✓ Cost Control Management
- ✓ Shortage Management
- ✓ Alternative Solution
- ✓ Excess Inventory Management