



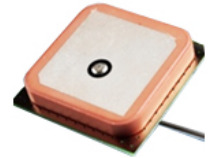
**THE DATASHEET OF
APAM2764YK0175**



GPS Active Internal Patch

APAM2764YK0175

RoHS/RoHS II compliant



27.0 x 27.0 x 7.0mm

MSL level: Not Applicable

FEATURES:

- Compact Size
- Easy to Install
- RoHS Compliant

TYPICAL APPLICATIONS:

- Automotive Navigation, Marine buoys
- Personal Tracking
- Surveying equipment, Cell phone, Laptop
- Healthcare and medical monitoring devices, PND, PDA

STANDARD SPECIFICATIONS:

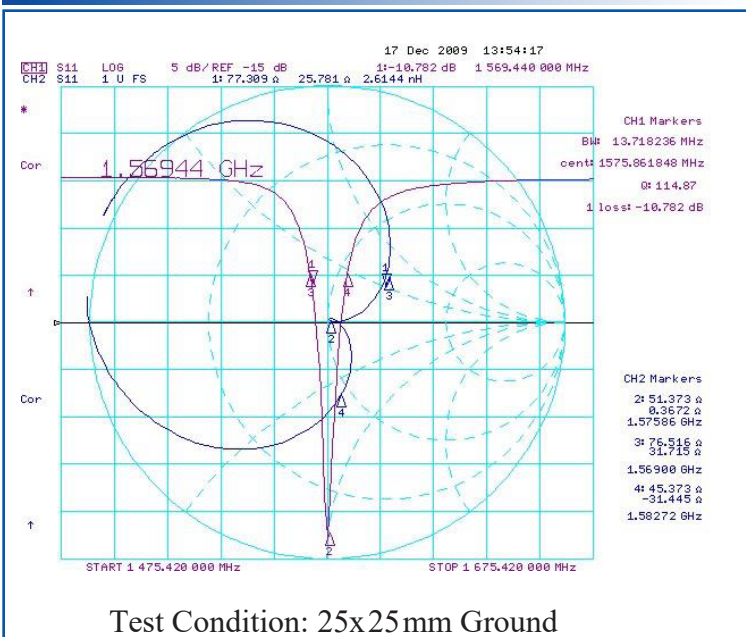
Antenna

Parameters	Min.	Typ.	Max.	Units	Note
Center Frequency	1575.42±1.02			MHz	
Bandwidth	5			MHz	
Gain		2.5		dBic	(Peak gain on 70*70mm Ground Plane facing Zenith.)
VSWR @ Center Frequency		1.5			
Polarization Model	RHCP				(Right Hand Circular Polarization)
Impedance	50			Ω	
Frequency Temperature Coefficient	-10		10	ppm/°C	
Working Temperature	-25		+72	°C	
Storage Temperature	-45		+85	°C	

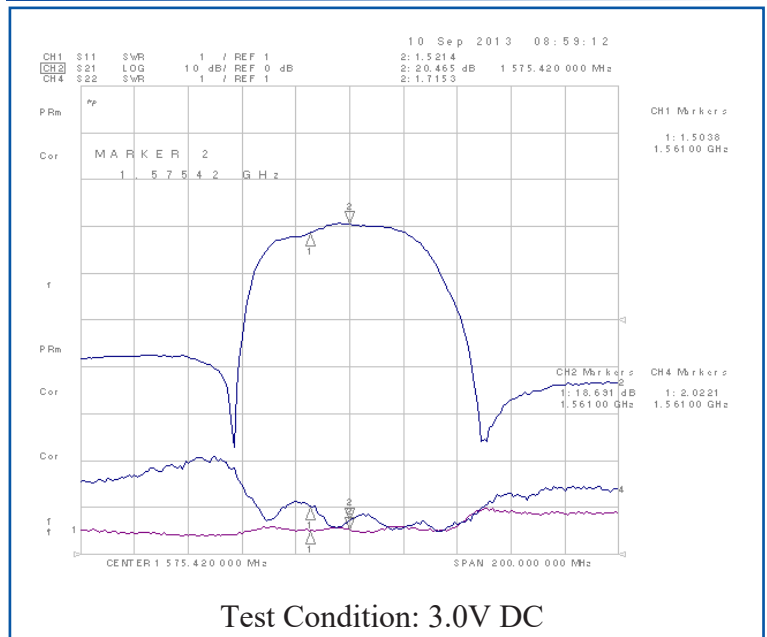
Low Noise Amplifier (LNA)

Parameters	Min.	Typ.	Max.	Units	Note
Center Frequency	1575.42±1.02			MHz	
DC Voltage	2.7		3.3	V	
Gain		28		dB	(Without cable +25°C± 10°C)
Output VSWR			2.0		
Noise Figure		1.3			(+25°C± 10°C)
DC current		9.8		mA	(At 3.0V)

SMITH CHART



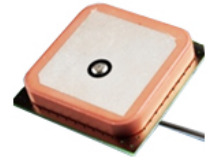
GPS LNA GAIN PLOT



GPS Active Internal Patch

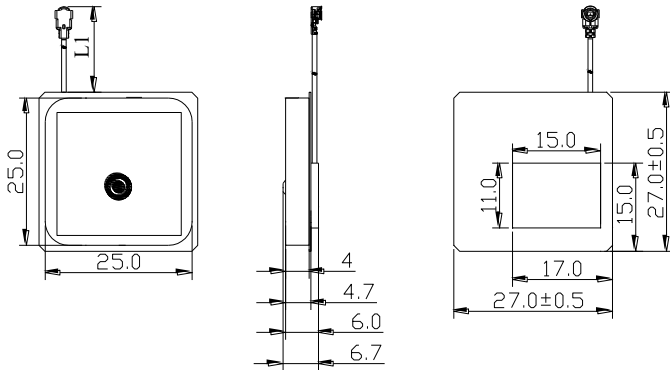
APAM2764YK0175

RoHS/RoHS II compliant



27.0 x 27.0 x 7.0mm

OUTLINE DIMENSION:



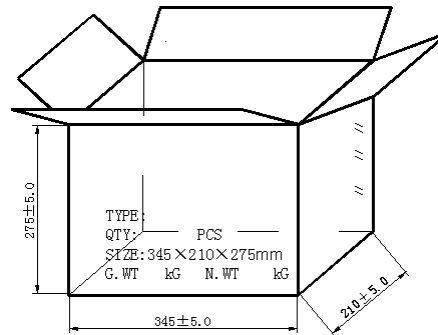
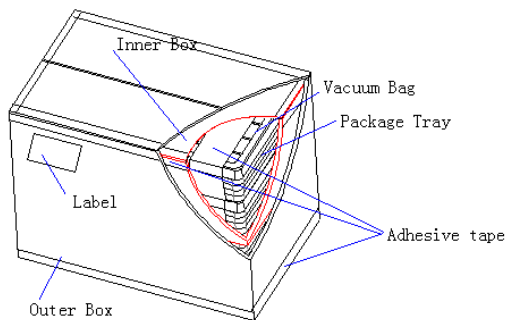
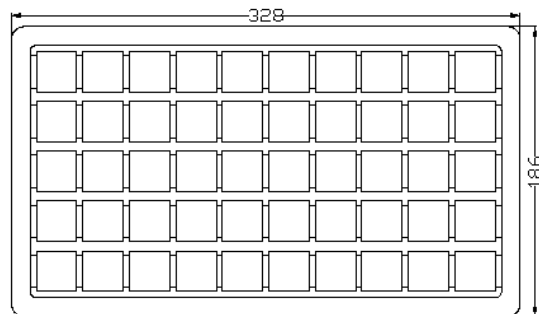
Tolerance: ±0.2mm

Description	Material
Antenna Type	Dielectric Ceramics
PCB	FR4
Shielding	Tinplate
RF Cable	9851SC0032-002, φ1.13±0.1mm, L=50mm, L1=36mm
RF Connector	I-PEX
Thickness	7.0mm (Max)

Unit: mm

PACKAGING

Package Type	Quantity
Tray	50 pcs/tray
Vacuum Bag	200pcs/box
Outer Box	1000 pcs/box



ATTENTION: Abracon LLC's products are COTS – Commercial-Off-The-Shelf products; suitable for Commercial, Industrial and, where designated, Automotive Applications. Abracon's products are not specifically designed for Military, Aviation, Aerospace, Life-dependant Medical applications or any application requiring high reliability where component failure could result in loss of life and/or property. For applications requiring high reliability and/or presenting an extreme operating environment, written consent and authorization from Abracon LLC is required. Please contact Abracon LLC for more information.

Looking for pricing, stock, or lifecycle information?

Click below to explore more details on WIN SOURCE:

 [View APAM2764YK0175 on WIN SOURCE](#)

 [Abracon LLC Information](#)

Optimize Your Supply Chain with WIN SOURCE Solutions

-  Global Sourcing Solution
-  Obsolete Management
-  Cost Control Management
-  Shortage Management
-  Alternative Solution
-  Excess Inventory Management