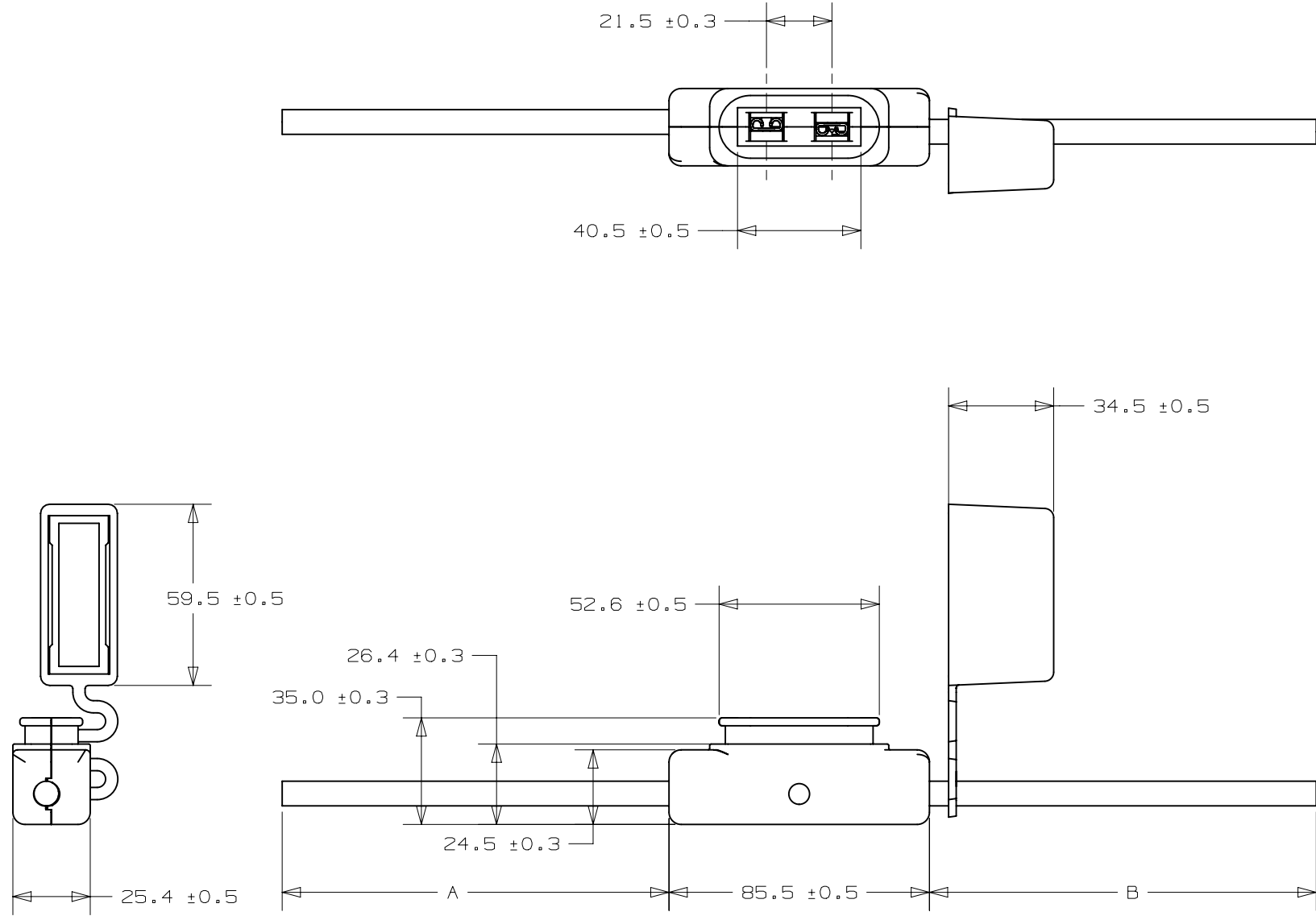




**THE DATASHEET OF
MAHC0001ZXJ**



PART NUMBER	"A"	"B"	LEAD "A" COLOR	LEAD "B" COLOR
MAHC0001ZXJ	127.0 ±5.0	127.0 ±5.0	BLACK	BLACK



GENERAL NOTES:

- COVER TETHER IS SLID ON EITHER WIRE LEAD, UP TO THE BODY.
- FUSEHOLDER IS SHIPPED WITH COVER SNAPPED ONTO BODY.
- RATING: MAX. 60A, 32 VDC AT A MAX. OPERATING TEMP OF 80°C.
- INSULATING BODY: BLACK/PC
- INSULATING COVER: BLACK/TPV
- WIRE: 6AWG, UL 3288, 150°C RATED

METRIC
ASSEMBLY

UNLESS OTHERWISE SPECIFIED, DIMENSIONS ARE IN MILLIMETERS. DIMENSIONS IN BRACKETS [] ARE INCHES
UNLESS OTHERWISE SPECIFIED, DIMENSIONS DO NOT INCLUDE PLATING.
⊙ DENOTES CRITICAL CHARACTERISTICS.
CPK DENOTES CPK DIMENSIONS, -MINIMUM CPK VALUE
ST DENOTES A CHARACTERISTIC THAT PROVIDES AN INDICATION OF PROCESS PERFORMANCE. PROCEDURE FOR MEASUREMENT AND TRACKING TO BE DEFINED IN LITTELFUSE INSPECTION INSTRUCTIONS
CP DENOTES CP DIMENSIONS, -MINIMUM CP VALUE MUST BE WITHIN THE DIMENSIONAL LIMITATIONS SHOWN ON DRAWING AND INITIALLY LOCATED TO ALLOW FOR MAXIMUM TOOL LIFE

NO	COMPONENT NO	DESCRIPTION	QTY/M	U/M
BILL OF MATERIAL				

COPIES TO		MATERIAL SPEC	
1	9	FINISH	
2	10	DRW	DATE 09/16/14
3	12	FYUE	SCALE 1:2
4	13	CHK	SUPER DR
5	14	APPD	FINISH GOOD WT
6	15	GRAMS/PIECE	
7	16	TOLERANCES UNLESS OTHERWISE SPECIFIED (REF. ISO 2768-mk)	
8	17	0.5 - 3	UP TO OVER UP TO OVER UP TO OVER
	18	+0.1	±0.1 ±0.2 ±0.3 ±0.5
	19	DIMENSION	
	20	TOLERANCE	
	21	3RD ANGLE PROJECTION	
	22	TITLE	
	23	HOLDER, MAXI INLINE WITH COVER	
	24	REVISION DRWG. NO.	
	25	A MAHC0001ZXJ	
	26	OUTLINE	
	27	LITTELFUSE	
	28	DES. PLAINES, ILLINOIS 60016	
LTR	DATE	REVISION	CHK APD
A	09/16/14	511021ERA-NEW RELEASE FYUE	

Looking for pricing, stock, or lifecycle information?

Click below to explore more details on WIN SOURCE:

 [View MAHC0001ZXJ on WIN SOURCE](#)

 [Littelfuse Inc. Information](#)

Optimize Your Supply Chain with WIN SOURCE Solutions

-  Global Sourcing Solution
-  Obsolete Management
-  Cost Control Management
-  Shortage Management
-  Alternative Solution
-  Excess Inventory Management