



**THE DATASHEET OF
AD8047AR-EBZ**



Evaluation Board for Single, High Speed Op Amps Offered in 8-Lead SOIC Packages

FEATURES

- Enables quick breadboarding/prototyping
- User-defined circuit configuration
- Edge-mounted SMA connector provisions
- Easy connection to test equipment and other circuits
- RoHS compliant

GENERAL DESCRIPTION

The Analog Devices, Inc., 8-lead SOIC evaluation board is designed to help users evaluate single, high speed op amps offered in 8-lead SOIC packages. The evaluation board is a bare board (that is, there are no components or amplifier soldered to the board, these must be ordered separately) that enables users to quickly prototype a variety of single op amp circuits, which minimizes risk and reduces time to market.

The evaluation board is a 2-layer printed circuit board (PCB) that accepts SMA edge-mounted connectors on the inputs and outputs for efficient connection to test equipment or other circuitry. The evaluation board is designed to work with almost any of the Analog Devices op amps offered in an 8-lead SOIC package. The evaluation board can accommodate amplifiers that feature a power-down or disable pin. The board can also be used with op amps that feature external frequency compensation capacitors, such as the AD8021AR.

Figure 1 shows the component side of the bare evaluation board, and Figure 2 shows the circuit side of the bare evaluation board.

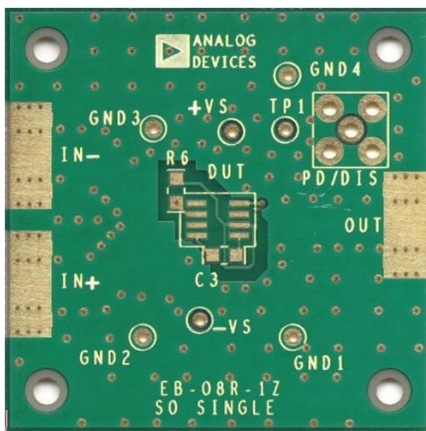
The ground plane, component placement, and supply bypassing have been designed to provide maximum flexibility while minimizing parasitic inductances and capacitances. The components of the evaluation board are primarily SMT 1206 case size, with the exception of the electrolytic bypass capacitors (C1, C4), which are 3528 case size.

Figure 3 shows the evaluation board schematic. The assembly drawings are shown in Figure 4 and Figure 6. The recommended layout patterns for making connections to the op amp and supporting circuitry are shown in Figure 5 and Figure 7.

Two options for supply bypassing include the following:

1. Connect additional shunt capacitors (C2, C5) in parallel with the electrolytic capacitors (C1, C4) from each supply to ground. This technique of power supply bypassing provides wideband rejection of unwanted noise on the supply lines. It is implemented by placing a $0\ \Omega$ resistor in the C6 position and shunt capacitors in the C1, C2, C4, and C5 positions.
2. Connect a capacitor between the supply rails. This method uses fewer components and can improve the PSRR at higher frequencies but does not provide shunt bypassing to the negative supply rail. It is implemented by inserting a $0\ \Omega$ resistor in the C2 position, then inserting the bypass capacitor in the C5 position, and omitting C6. Optimal bypassing is circuit dependent and, therefore, must be evaluated by the designer for each application.

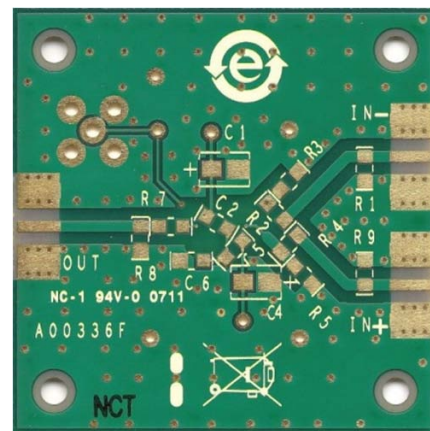
EVALUATION BOARD COMPONENT AND CIRCUIT SIDES



NOTES
1. THE EVALUATION BOARD SILKSCREEN PART NUMBER LABELING ON THE BOARD MAY BE DIFFERENT FROM WHAT IS SHOWN HERE.

Figure 1. Component Side of Evaluation Board

08885-001



NOTES
1. THE EVALUATION BOARD SILKSCREEN PART NUMBER LABELING ON THE BOARD MAY BE DIFFERENT FROM WHAT IS SHOWN HERE.

Figure 2. Circuit Side of Evaluation Board

08885-002

TABLE OF CONTENTS

| | | | |
|--|---|--|---|
| Features | 1 | Evaluation Board Assembly Drawings and Layout Patterns | 4 |
| General Description | 1 | Ordering Information | 5 |
| Evaluation Board Component and Circuit Sides | 1 | Bill of Materials | 5 |
| Revision History | 2 | | |
| Evaluation Board Schematic | 3 | | |

REVISION HISTORY

4/11—Rev. 0 to Rev. A

| | |
|--|---|
| Changes to Product Title, General Description Section, Figure 1, and Figure 2 | 1 |
| Changed Evaluation Board Schematic, Assembly Drawings, and Layout Patterns Section to Evaluation Board Schematic Section | 3 |
| Added Evaluation Board Assembly Drawings and Layout Patterns Section | 4 |
| Changes to Figure 4 through Figure 7 | 4 |

3/10—Revision 0: Initial Version

EVALUATION BOARD SCHEMATIC

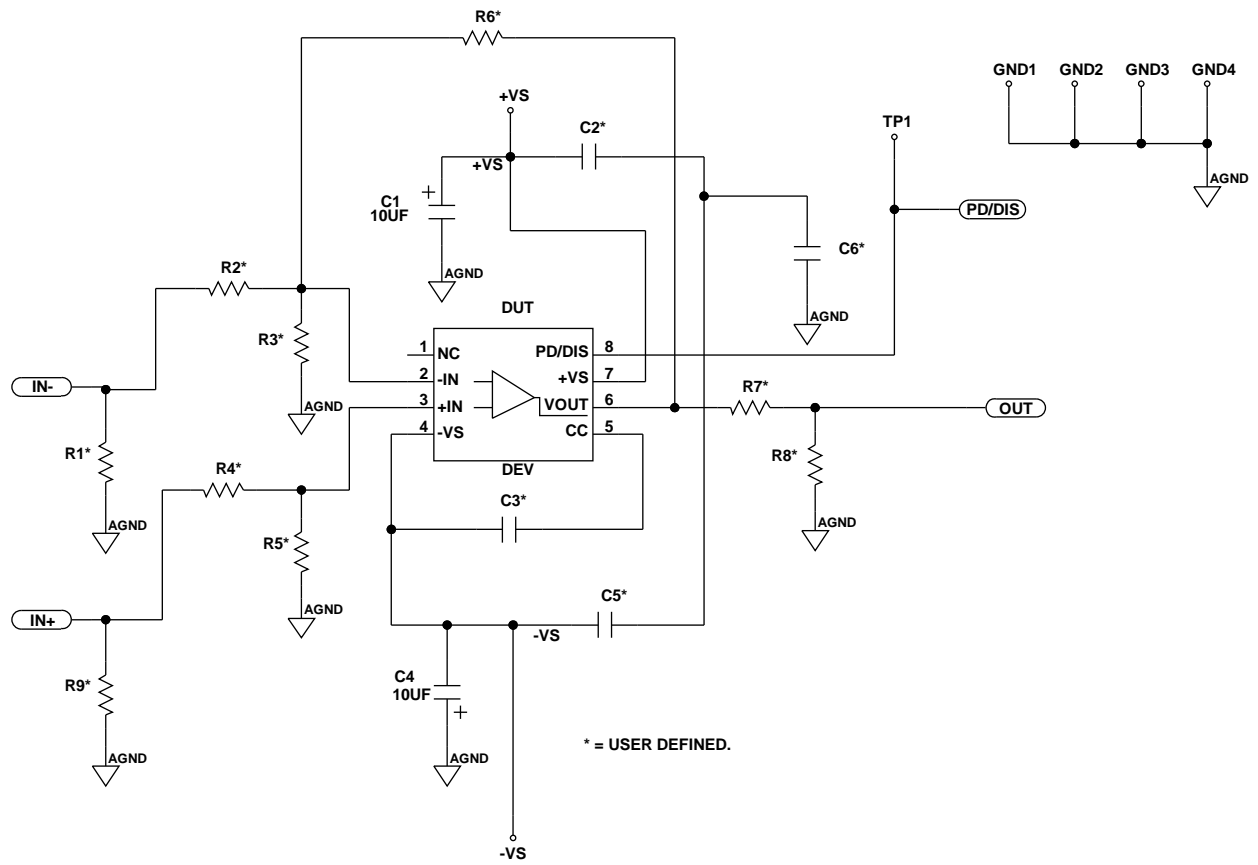


Figure 3. 8-Lead SOIC Evaluation Board Schematic

068865-003

EVALUATION BOARD ASSEMBLY DRAWINGS AND LAYOUT PATTERNS

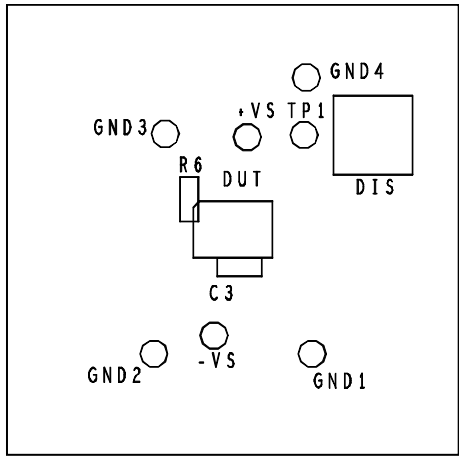


Figure 4. Component Side Assembly Drawing

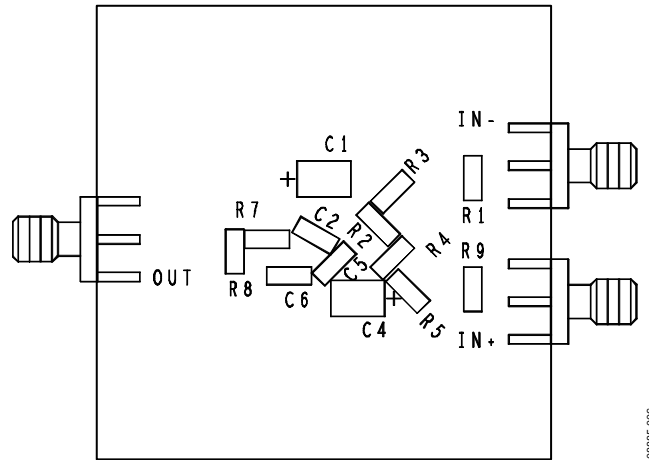


Figure 6. Circuit Side Assembly Drawing

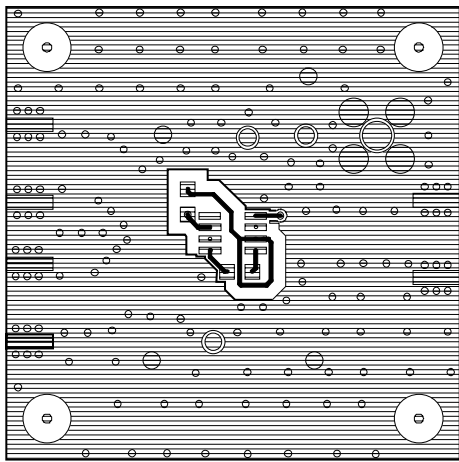


Figure 5. Component Side Layout Pattern

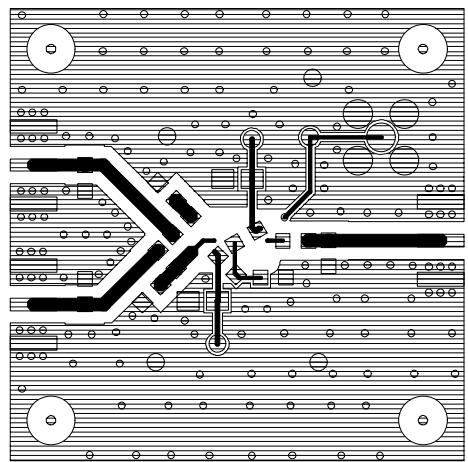


Figure 7. Circuit Side Layout Pattern

ORDERING INFORMATION

BILL OF MATERIALS

Table 1.

| Quantity | Reference Designator | Description | Package |
|----------|---------------------------------------|-------------------------|-------------|
| 7 | +VS, -VS, GND1, GND2, GND3, GND4, TP1 | Test point | TP |
| 2 | C1, C4 | 10 μ F capacitor | 3528 |
| 4 | C2, C3, C5, C6 | Capacitor, user defined | C1206 |
| 1 | DUT | DEV, SO8_SPEC | 8-lead SOIC |
| 4 | PD/DIS, IN+, IN-, OUT | SMA/SMT | SMA/SMT |
| 9 | R1, R2, R3, R4, R5, R6, R7, R8, R9 | Resistor, user defined | R1206 |

NOTES

NOTES

NOTES

**ESD Caution**

ESD (electrostatic discharge) sensitive device. Charged devices and circuit boards can discharge without detection. Although this product features patented or proprietary protection circuitry, damage may occur on devices subjected to high energy ESD. Therefore, proper ESD precautions should be taken to avoid performance degradation or loss of functionality.

Legal Terms and Conditions

By using the evaluation board discussed herein (together with any tools, components documentation or support materials, the "Evaluation Board"), you are agreeing to be bound by the terms and conditions set forth below ("Agreement") unless you have purchased the Evaluation Board, in which case the Analog Devices Standard Terms and Conditions of Sale shall govern. Do not use the Evaluation Board until you have read and agreed to the Agreement. Your use of the Evaluation Board shall signify your acceptance of the Agreement. This Agreement is made by and between you ("Customer") and Analog Devices, Inc. ("ADI"), with its principal place of business at One Technology Way, Norwood, MA 02062, USA. Subject to the terms and conditions of the Agreement, ADI hereby grants to Customer a free, limited, personal, temporary, non-exclusive, non-sublicensable, non-transferable license to use the Evaluation Board FOR EVALUATION PURPOSES ONLY. Customer understands and agrees that the Evaluation Board is provided for the sole and exclusive purpose referenced above, and agrees not to use the Evaluation Board for any other purpose. Furthermore, the license granted is expressly made subject to the following additional limitations: Customer shall not (i) rent, lease, display, sell, transfer, assign, sublicense, or distribute the Evaluation Board; and (ii) permit any Third Party to access the Evaluation Board. As used herein, the term "Third Party" includes any entity other than ADI, Customer, their employees, affiliates and in-house consultants. The Evaluation Board is NOT sold to Customer; all rights not expressly granted herein, including ownership of the Evaluation Board, are reserved by ADI. CONFIDENTIALITY. This Agreement and the Evaluation Board shall all be considered the confidential and proprietary information of ADI. Customer may not disclose or transfer any portion of the Evaluation Board to any other party for any reason. Upon discontinuation of use of the Evaluation Board or termination of this Agreement, Customer agrees to promptly return the Evaluation Board to ADI. ADDITIONAL RESTRICTIONS. Customer may not disassemble, decompile or reverse engineer chips on the Evaluation Board. Customer shall inform ADI of any occurred damages or any modifications or alterations it makes to the Evaluation Board, including but not limited to soldering or any other activity that affects the material content of the Evaluation Board. Modifications to the Evaluation Board must comply with applicable law, including but not limited to the RoHS Directive. TERMINATION. ADI may terminate this Agreement at any time upon giving written notice to Customer. Customer agrees to return to ADI the Evaluation Board at that time. LIMITATION OF LIABILITY. THE EVALUATION BOARD PROVIDED HEREUNDER IS PROVIDED "AS IS" AND ADI MAKES NO WARRANTIES OR REPRESENTATIONS OF ANY KIND WITH RESPECT TO IT. ADI SPECIFICALLY DISCLAIMS ANY REPRESENTATIONS, ENDORSEMENTS, GUARANTEES, OR WARRANTIES, EXPRESS OR IMPLIED, RELATED TO THE EVALUATION BOARD INCLUDING, BUT NOT LIMITED TO, THE IMPLIED WARRANTY OF MERCHANTABILITY, TITLE, FITNESS FOR A PARTICULAR PURPOSE OR NON-INFRINGEMENT OF INTELLECTUAL PROPERTY RIGHTS. IN NO EVENT WILL ADI AND ITS LICENSORS BE LIABLE FOR ANY INCIDENTAL, SPECIAL, INDIRECT, OR CONSEQUENTIAL DAMAGES RESULTING FROM CUSTOMER'S POSSESSION OR USE OF THE EVALUATION BOARD, INCLUDING BUT NOT LIMITED TO LOST PROFITS, DELAY COSTS, LABOR COSTS OR LOSS OF GOODWILL. ADI'S TOTAL LIABILITY FROM ANY AND ALL CAUSES SHALL BE LIMITED TO THE AMOUNT OF ONE HUNDRED US DOLLARS (\$100.00). EXPORT. Customer agrees that it will not directly or indirectly export the Evaluation Board to another country, and that it will comply with all applicable United States federal laws and regulations relating to exports. GOVERNING LAW. This Agreement shall be governed by and construed in accordance with the substantive laws of the Commonwealth of Massachusetts (excluding conflict of law rules). Any legal action regarding this Agreement will be heard in the state or federal courts having jurisdiction in Suffolk County, Massachusetts, and Customer hereby submits to the personal jurisdiction and venue of such courts. The United Nations Convention on Contracts for the International Sale of Goods shall not apply to this Agreement and is expressly disclaimed.

Looking for pricing, stock, or lifecycle information?

Click below to explore more details on WIN SOURCE:

 [View AD8047AR-EBZ on WIN SOURCE](#)

 [Analog Devices Inc. Information](#)

Optimize Your Supply Chain with WIN SOURCE Solutions

-  Global Sourcing Solution
-  Obsolete Management
-  Cost Control Management
-  Shortage Management
-  Alternative Solution
-  Excess Inventory Management