



**THE DATASHEET OF  
AD75004KPZ**



### FEATURES

- 4 Complete 12-Bit D/A Functions
- Double-Buffered Latches
- Simultaneous Update of All DACs Possible
- $\pm 5$  V Output Range
- High Stability Bandgap Reference
- Monolithic BiMOS Construction
- Guaranteed Monotonic over Temperature
- $3/4$  LSB Linearity Guaranteed over Temperature
- 4  $\mu$ s max Settling Time to 0.01%
- Operates with  $\pm 12$  V Supplies
- Low Power: 720 mW max Including Reference
- TTL/5 V CMOS Compatible Logic Inputs
- 8-Bit Microprocessor Interface
- 24-Pin PDIP or 28-Lead PLCC Package

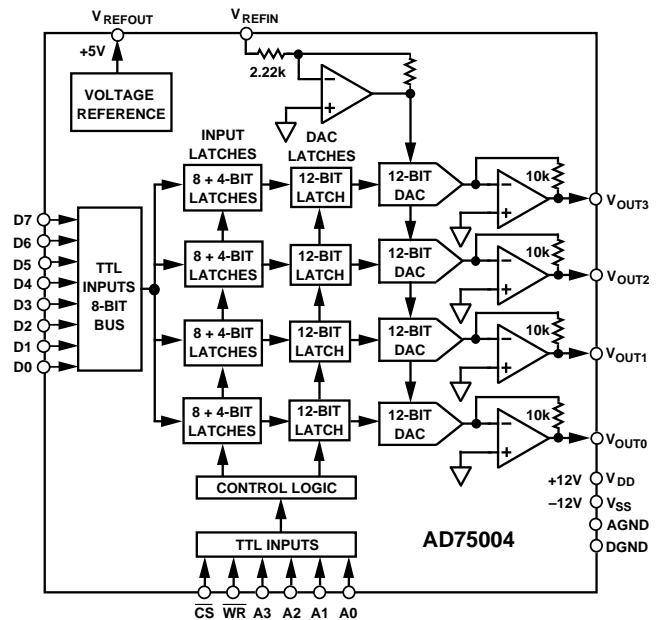
### PRODUCT DESCRIPTION

The AD75004 contains four complete, voltage output, 12-bit digital-to-analog converters, a high stability bandgap reference, and double-buffered input latches on a single chip. The converters use 12 precision high speed bipolar current steering switches and laser-trimmed thin-film resistor networks to provide fast settling time and high accuracy.

Microprocessor compatibility is achieved by the on-chip double-buffered latches. The design of the input latches allows direct interface to 8-bit buses. The 12 bits of data from the first rank of latches can then be transferred to the second rank, avoiding generation of spurious analog output values. The latch responds to strobe pulses as short as 50 ns, allowing use with fast microprocessors.

The functional completeness and high performance of the AD75004 results from a combination of advanced switch design, the BiMOS II fabrication process, and proven laser trimming technology. BiMOS II is an epitaxial BiCMOS process optimized for analog and converter functions. The AD75004 is trimmed at the wafer level and is specified to  $\pm 1/2$  LSB maximum linearity error at 25°C and  $\pm 3/4$  LSB over the full operating temperature range. The on-chip output amplifiers provide an output range of  $\pm 5$  V, with 1 LSB equal to 2.44 mV.

### FUNCTIONAL BLOCK DIAGRAM



The bandgap reference on the chip has low noise, long term stability and temperature drift characteristics comparable to discrete reference diodes. The absolute value of the reference is laser trimmed to +5.00 V with 0.6% maximum error. Its temperature coefficient is also laser trimmed.

Typical full-scale gain TC is 15 ppm/°C. With guaranteed monotonicity over the full temperature range, the AD75004 is well suited for wide temperature range performance.

### REV. A

Information furnished by Analog Devices is believed to be accurate and reliable. However, no responsibility is assumed by Analog Devices for its use, nor for any infringements of patents or other rights of third parties which may result from its use. No license is granted by implication or otherwise under any patent or patent rights of Analog Devices.

# AD75004–SPECIFICATIONS (T<sub>A</sub> = +25°C, ±12.0 V power supplies unless otherwise noted)

Parameter	Symbol	Min	Typ	Max	Units
<b>DIGITAL INPUTS (D0–D7, A0–A3, <math>\overline{CS}</math>, <math>\overline{WR}</math>)</b>					
Logic Levels (TTL Compatible)					
Input Voltage, Logic “1”	V <sub>IH</sub>	<b>2.0</b>		<b>5.5</b>	V
Input Voltage, Logic “0”	V <sub>IL</sub>	<b>0</b>		<b>0.8</b>	V
Input Current, V <sub>IH</sub> = 5.5 V	I <sub>IH</sub>			<b>10</b>	μA
Input Current, V <sub>IL</sub> = 0.8 V	I <sub>IL</sub>			<b>10</b>	μA
Input Capacitance	C <sub>IN</sub>			<b>10</b>	pF
<b>ACCURACY</b>					
Resolution				<b>12</b>	Bits
Integral Linearity Error			±1/4	<b>±1/2</b>	LSB
Integral Linearity Error, T <sub>MIN</sub> to T <sub>MAX</sub>			±1/2	<b>±3/4</b>	LSB
Differential Linearity Error			±1/2	<b>±3/4</b>	LSB
Differential Linearity Error, T <sub>MIN</sub> to T <sub>MAX</sub>			Guaranteed Monotonic		
Gain (Full-Scale) Error <sup>1</sup>			±2	<b>±10</b>	LSB
Gain Error Drift, T <sub>MIN</sub> to T <sub>MAX</sub> <sup>1</sup>			±15	<b>±30</b>	ppm/°C
Bipolar Zero Error <sup>1</sup>			±1	<b>±2</b>	LSB
Bipolar Zero Error Drift, T <sub>MIN</sub> to T <sub>MAX</sub> <sup>1</sup>			±3	<b>±7</b>	ppm/°C
<b>CHANNEL-TO-CHANNEL MISMATCH</b>					
Integral Linearity Error			±1/2	<b>±1</b>	LSB
Gain Error <sup>1</sup>			±1	<b>±4</b>	LSB
Bipolar Zero Error <sup>1</sup>			±1	<b>±2</b>	LSB
<b>DYNAMIC PERFORMANCE</b>					
Settling Time to ±0.01% of FSR for FSR Change, 2 kΩ    500 pF Load			2	4	μs
Slew Rate, 2 kΩ    500 pF Load		5			V/μs
Digital Input Crosstalk (Static) <sup>2</sup>				-50	dB
<b>ANALOG OUTPUTS</b>					
Full-Scale Range (FSR)	V <sub>OUT</sub>		±5		V
Output Current	I <sub>OUT</sub>	±5			mA
Short Circuit Limit Current				<b>±40</b>	mA
<b>VOLTAGE REFERENCE</b>					
Reference Output Voltage	V <sub>REFOUT</sub>	<b>4.97</b>	5.00	<b>5.03</b>	V
Temperature Coefficient			±15	<b>±25</b>	ppm/°C
Reference Output Currents <sup>3</sup>		3.0	5.0		mA
Reference Input Voltage	V <sub>REFIN</sub>	4.5	5.0	5.5	V
Reference Input Current @ 5.0 V	I <sub>REFIN</sub>			3.0	mA
<b>POWER SUPPLY GAIN SENSITIVITY</b>					
ΔGain/ΔV <sub>DD</sub> , V <sub>DD</sub> = +10.8 to +13.2 V dc <sup>1</sup>			±15	<b>±25</b>	ppm of FSR/%
ΔGain/ΔV <sub>SS</sub> , V <sub>SS</sub> = -10.8 to -13.2 V dc <sup>1</sup>			±15	<b>±25</b>	ppm of FSR/%
<b>POWER SUPPLY REQUIREMENTS</b>					
Voltage Range	V <sub>DD</sub> , V <sub>SS</sub>	<b>±10.8</b>	±12	<b>±13.2</b>	V
Supply Currents	I <sub>DD</sub> , I <sub>SS</sub>		±25	<b>±30</b>	mA
<b>TEMPERATURE RANGE</b>					
Specification	T <sub>MIN</sub> , T <sub>MAX</sub>	0		+70	°C
Storage		-65		+150	°C

## NOTES

<sup>1</sup>Gain and bipolar zero errors are measured using internal voltage reference and include its errors.

<sup>2</sup>Digital crosstalk is defined as the change in any one output's steady state value as a result of any other output being driven from V<sub>OUTMIN</sub> to V<sub>OUTMAX</sub> into a 2 kΩ || 500 pF load by means of varying the digital input code.

<sup>3</sup>The internal voltage reference is intended to drive on-chip only; buffer it if using it externally.

<sup>4</sup>All minimum and maximum specifications are guaranteed, and specifications shown in **boldface** are tested on all production units at final electrical test. Results from those tests are used to calculate outgoing quality levels.

Specifications subject to change without notice.

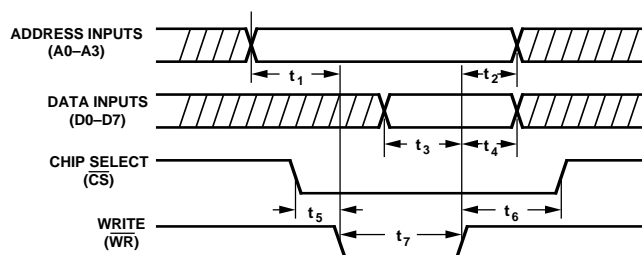
TIMING CHARACTERISTICS<sup>1</sup>(T<sub>A</sub> = +25°C, ±12.0 V power supplies unless otherwise noted)

Parameter	Symbol	Min	Units
Address Setup Time	t <sub>1</sub>	30	ns
Address Hold Time	t <sub>2</sub>	10	ns
Data Setup Time	t <sub>3</sub>	10	ns
Data Hold Time	t <sub>4</sub>	45	ns
Chip Select to Write Setup Time	t <sub>5</sub>	0	ns
Write to Chip Select Hold Time	t <sub>6</sub>	0	ns
Write Pulse Width	t <sub>7</sub>	50	ns

## NOTES

<sup>1</sup>Timing measurement reference level is 1.5 V.

Specifications subject to change without notice



## TRUTH TABLE

Control and Address Lines						Operation
CS	WR	A3	A2	A1	A0	
1	X	X	X	X	X	No operation
X	1	X	X	X	X	No operation
0	0	0	0	A1*	A0*	8 LSBs → one input latch
0	0	0	1	A1*	A0*	4 MSBs → one input latch
0	0	1	0	A1*	A0*	Update one DAC latch
0	0	1	1	X	X	Update all 4 DAC latches

## NOTE

\*The A1 and A0 inputs specify the relevant channel.

A1	A0	Channel
0	0	0
0	1	1
1	0	2
1	1	3

## ABSOLUTE MAXIMUM RATINGS\*

(T<sub>A</sub> = +25°C unless otherwise noted)

	Min	Max	Units	Conditions	
V <sub>DD</sub> to DGND	-0.3	+18	V	T <sub>A</sub> ≤ 75°C	
V <sub>SS</sub> to DGND	-18	+0.3	V		
V <sub>DD</sub> to V <sub>SS</sub>	-0.3	+26.4	V		
V <sub>REFIN</sub> to AGND	-0.3	V <sub>DD</sub>	V		
Digital Inputs to DGND	-0.3	V <sub>DD</sub>	V		
AGND to DGND	-0.3	+0.3	V		
Short to AGND on Analog Outputs		Indefinite	sec		
Power Dissipation		1.0	W		
Specification Temperature Range	0	+70	°C		
Storage Temperature	-65	+150	°C		
Lead Temperature		+300	°C		
					Soldering, 10 seconds

\*Stresses above those listed under "Absolute Maximum Ratings" may cause permanent damage to the device. These are stress ratings only and functional operation of the device at these or any other conditions above those indicated in the operational sections of this specification is not implied. Exposure to absolute maximum rating conditions for extended periods may affect device reliability.

## CAUTION

ESD (electrostatic discharge) sensitive device. Electrostatic charges as high as 4000 V readily accumulate on the human body and test equipment and can discharge without detection. Although the AD75004 features proprietary ESD protection circuitry, permanent damage may occur on devices subjected to high energy electrostatic discharges. Therefore, proper ESD precautions are recommended to avoid performance degradation or loss of functionality.



## ORDERING GUIDE

Model	Temperature Range	Package Option*
AD75004KN	0°C to +70°C	N-24A
AD75004KP	0°C to +70°C	P-28A

\*N = Plastic DIP; P = Plastic Leaded Chip Carrier.

# AD75004

## PIN DESCRIPTIONS

PLCC Pin	Plastic DIP Pin	Name	Description
1	1	D7	Data Input Bit 7
2	2	D6	Data Input Bit 6
3	3	D5	Data Input Bit 5
5	4	D4	Data Input Bit 4
6	5	D3	Data Input Bit 3 or 11 (MSB)
7	6	D2	Data Input Bit 2 or 10
9	7	D1	Data Input Bit 1 or 9
10	8	D0	Data Input Bit 0 (LSB) or 8
11	9	$\overline{CS}$	Chip Select Input; Active Low
13	10	$\overline{WR}$	Write Input; Active Low
14	11	A3	Address Input Bit 3 (MSB)
15	12	A2	Address Input Bit 2
16	13	A1	Address Input Bit 1
17	14	A0	Address Input Bit 0 (LSB)
18	15	DGND	Digital Ground
19	16	AGND	Analog Ground
20	17	V <sub>SS</sub>	-12 V Power Supply
21	18	V <sub>REFOUT</sub>	+5 V Reference Output
22	19	V <sub>REFIN</sub>	Reference Input
23	20	V <sub>OUT0</sub>	Analog Output 0
24	21	V <sub>OUT1</sub>	Analog Output 1
26	22	V <sub>OUT2</sub>	Analog Output 2
27	23	V <sub>OUT3</sub>	Analog Output 3
28	24	V <sub>DD</sub>	+12 V Power Supply
4	-	NC	No Internal Connection
8	-	NC	No Internal Connection
12	-	NC	No Internal Connection
25	-	NC	No Internal Connection

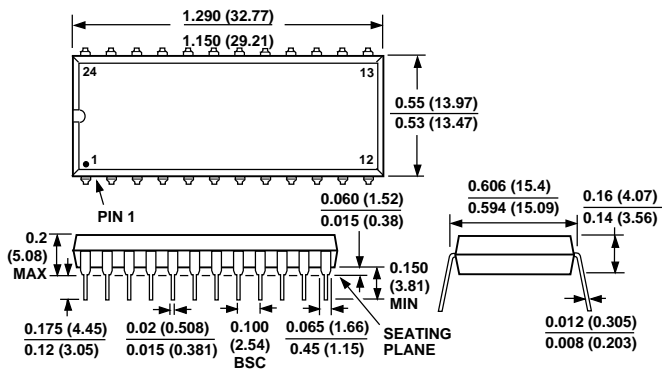
## BINARY CODE TABLE

Twos Complement Value in DAC Latch			Analog Output Voltage
MSB	LSB		
0111	1111	1111	$(2047/2048) * V_{REFIN}$
0000	0000	0001	$(1/2048) * V_{REFIN}$
0000	0000	0000	0 V
1111	1111	1111	$-(1/2048) * V_{REFIN}$
1000	0000	0000	$-V_{REFIN}$

## OUTLINE DIMENSIONS

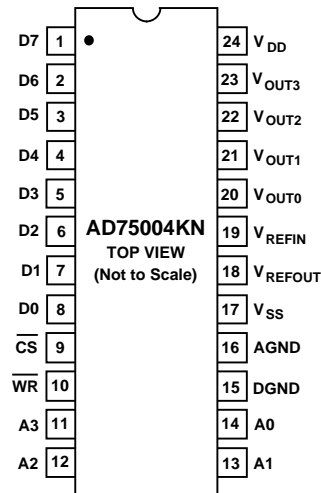
Dimensions shown in inches and (mm).

### Plastic DIP (N-24A)

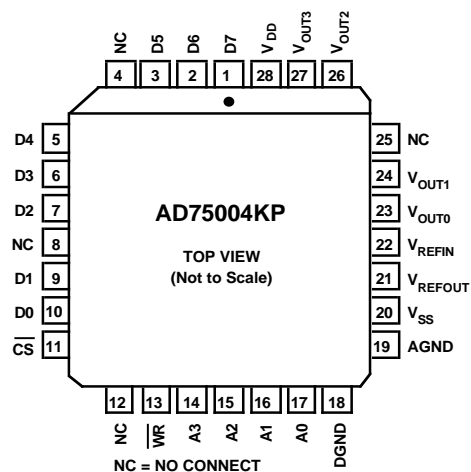


## PIN CONFIGURATIONS

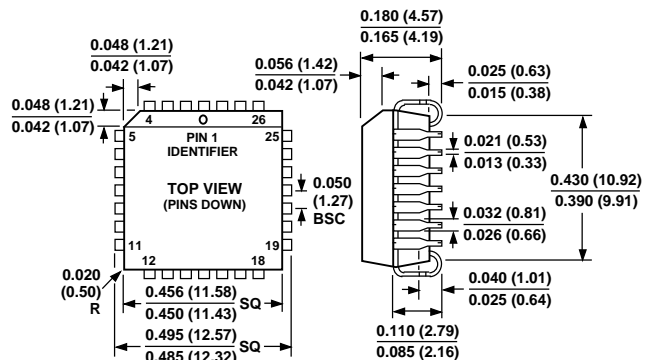
### 24-Pin Plastic DIP



### 28-Pin PLCC



### PLCC (P-28A)



## Looking for pricing, stock, or lifecycle information?

Click below to explore more details on WIN SOURCE:

 [View AD75004KPZ on WIN SOURCE](#)

 [Analog Devices Inc. Information](#)

## Optimize Your Supply Chain with WIN SOURCE Solutions

-  Global Sourcing Solution
-  Obsolete Management
-  Cost Control Management
-  Shortage Management
-  Alternative Solution
-  Excess Inventory Management