



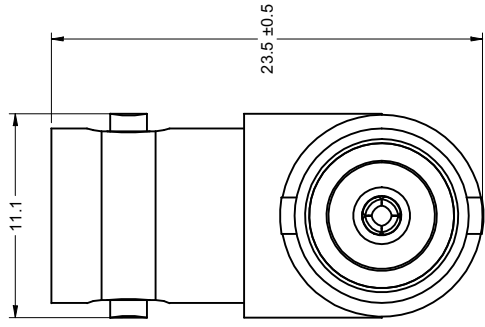
THE DATASHEET OF CP-AD-584



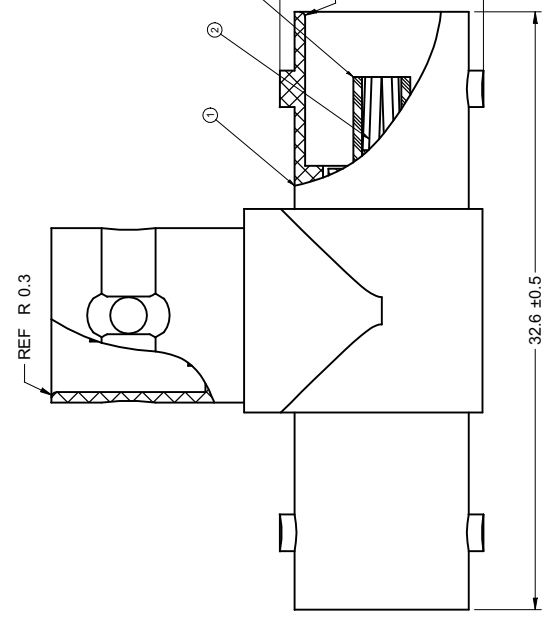
5 4 3 2

PART NUMBER 28-81417	ITEM ① BODY ZINC NICKEL PLATED	ITEM ② CONTACT BRASS GOLD PLATED	ITEM ③ INSULATOR TPX
-------------------------	---	---	----------------------------

D



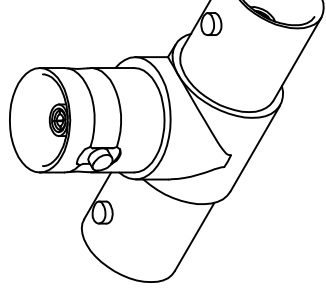
C



32.6 ± 0.5

受控 CONTROLLED DOCUMENT			
编号 P/N	28-81417	版本 Rev	01
日期 Rel'd Date	SEP 14,09		

B



NOTES:

1. IMPEDANCE: 75 OHMS NOMINAL
2. FREQUENCY RANGE: 0-2 GHZ
3. RECOMMENDED TEMPERATURE RANGE: -55 °C TO +85 °C
4. FURTHER TECHNICAL DETAIL: REFER TO EMERSON DOCUMENT P/N 27-0000

A

TOLERANCE UNLESS OTHERWISE SPECIFIED	(DRAWN)
DECIMALS	CHECK
X	LIND
X.X	APPROG
X.XX	THO
ANGLES	UM
	± 0.5°

THIS DRAWING WAS PRODUCED BY AUTOCAD
DO NOT SCALE DRAWING

5



4

3

2

Looking for pricing, stock, or lifecycle information?

Click below to explore more details on WIN SOURCE:

-  [View CP-AD-584 on WIN SOURCE](#)
-  [Cinch Connectivity Solutions Information](#)

Optimize Your Supply Chain with WIN SOURCE Solutions

-  Global Sourcing Solution
-  Obsolete Management
-  Cost Control Management
-  Shortage Management
-  Alternative Solution
-  Excess Inventory Management