



**THE DATASHEET OF**  
**451300603**



REVISIONS				
EC NO	DATE	REV	DESCRIPTION	CHANGER
	2016.12.07	A	INITIAL RELEASE.	DICK

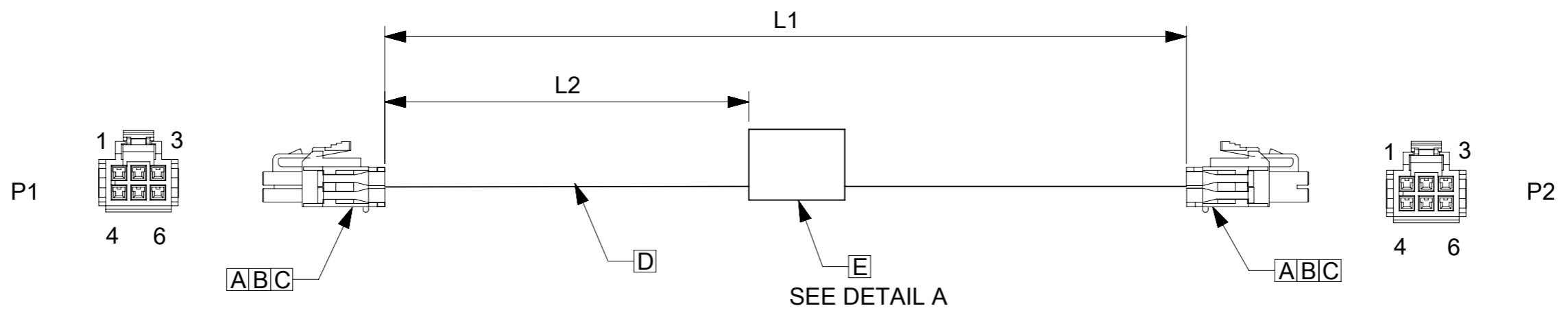
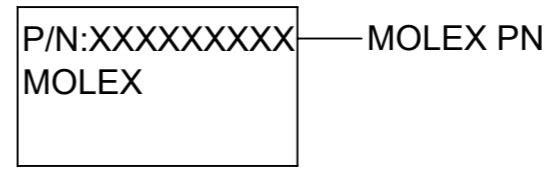


TABLE			
PART NUMBER	L1	L2	TITLE
451300601	150±10	69REF	Nano-Fit 6 Circuit 150MM
451300603	300±10	144REF	Nano-Fit 6 Circuit 300MM
451300610	1000±15	494REF	Nano-Fit 6 Circuit 1M



DETAIL A

NOTES

1. THIS PRODUCT MUST MEET 2011/65/EU ROHS COMPLIANCE.  
此产品需符合 2011/65/EU ROHS环保要求.
2. ELECTRICAL PERFORMANCE REFER TO ES-000.  
电气特性参考ES-000.
3. LABEL TEXT MUST BE 2mm MAX. IN HEIGHT WITH ARIAL FONT.  
标签字高最大2mm,字体ARIAL.

ITEM	DESCRIPTION	L(MM)	Q'TY
E	Blank label 12.7x35.5mm (WHT:12.7mm) HF		1
D	20AWG;PLATED;PVC;BK;OD=1.46MM;UL1061	A/R	
C	NANOFIT TPA V0 NAT 3 CKT		4
B	NANOFIT CRIMP TERM 2022, Gold Plating		12
A	NANOFIT RCPT HSG DLR 6CKT TPA BLK		2

WIRING CHART		
P1	P2	COLOR
1	3	BLACK
2	2	BLACK
3	1	BLACK
4	6	BLACK
5	5	BLACK
6	4	BLACK

<b>QUALITY SYMBOLS</b> 	THIS DRAWING CONTAINS INFORMATION THAT IS PROPRIETARY TO MOLEX ELECTRONIC TECHNOLOGIES, LLC AND SHOULD NOT BE USED WITHOUT WRITTEN PERMISSION		DIMENSION UNITS <b>MM</b>	SCALE <b>NTS</b>				
	EC NO: 111343 DRWN: WLXIE CHK'D: DHUANG16 APPR: YXZOU	GENERAL TOLERANCES (UNLESS SPECIFIED) ANGULAR TOL ± ° 4 PLACES ± 3 PLACES ± 2 PLACES ± 1 PLACE ± 0 PLACES ±	DRWN BY <b>WLXIE</b>	DATE <b>2016/11/16</b>		SEE TABLE		
	EC NO: 111343 DRWN: WLXIE CHK'D: DHUANG16 APPR: YXZOU	DRAFT WHERE APPLICABLE MUST REMAIN WITHIN DIMENSIONS	CHK'D BY <b>DHUANG16</b>	DATE <b>2016/12/05</b>				
	<b>A</b>	DRAWING SIZE <b>A3</b>	THIRD ANGLE PROJECTION 	PRODUCT CUSTOMER DRAWING				
RELEASE STATUS   P1   RELEASE DATE   12.12.2016   03:03:04		SERIES <b>201234</b>	MATERIAL NUMBER <b>SEE TABLE</b>	CUSTOMER <b>GENERAL MARKET</b>	DOCUMENT NUMBER <b>2012341659</b>	DOC TYPE <b>PSD</b>	DOC PART <b>000</b>	SHEET NUMBER <b>1 OF 1</b>

## Looking for pricing, stock, or lifecycle information?

Click below to explore more details on WIN SOURCE:

 [View 451300603 on WIN SOURCE](#)

 [Molex, LLC Information](#)

## Optimize Your Supply Chain with WIN SOURCE Solutions

-  Global Sourcing Solution
-  Obsolete Management
-  Cost Control Management
-  Shortage Management
-  Alternative Solution
-  Excess Inventory Management