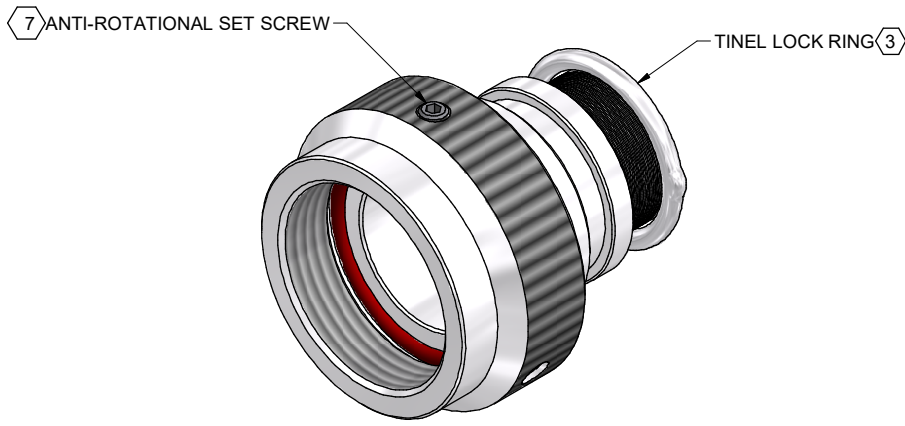




**THE DATASHEET OF  
TX15AB00-2414**





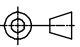


## CODE 15 - TINEL-LOCK BACKSHELL

TXR15AB00-1608AI-

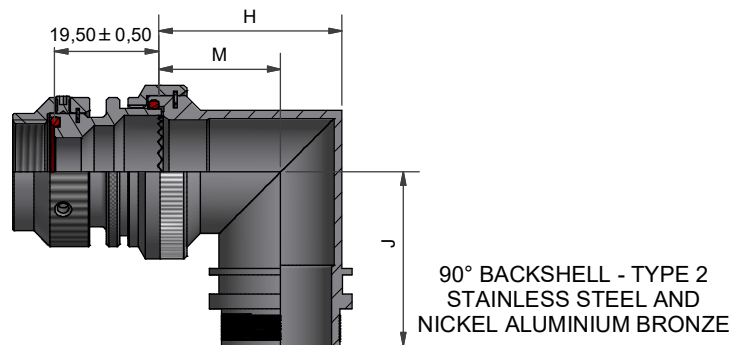
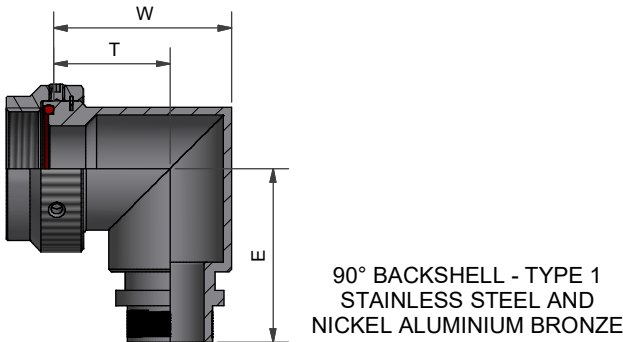
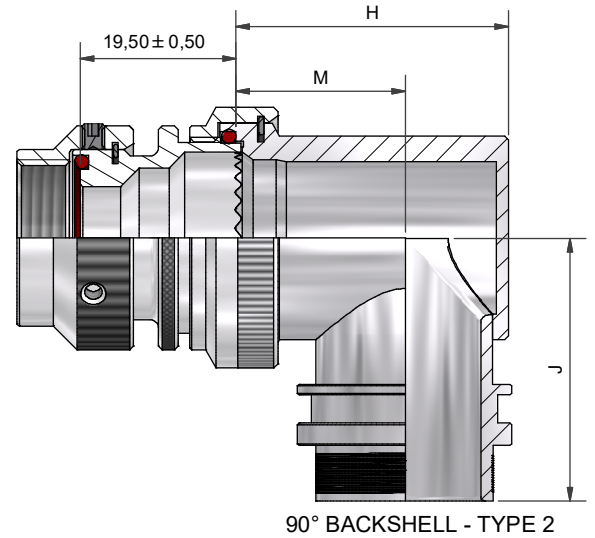
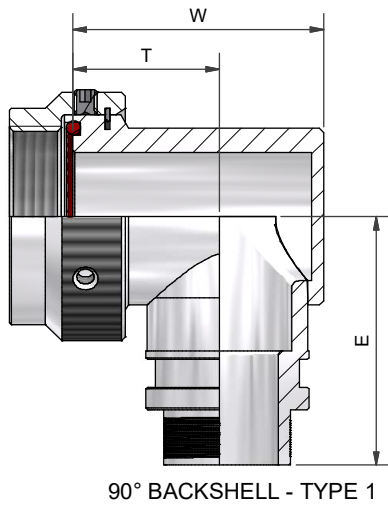
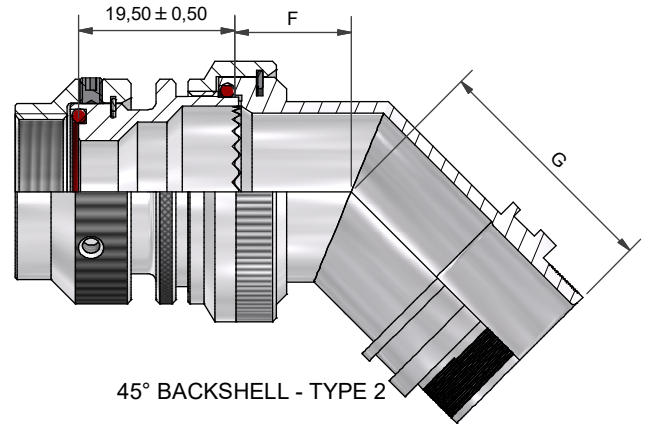
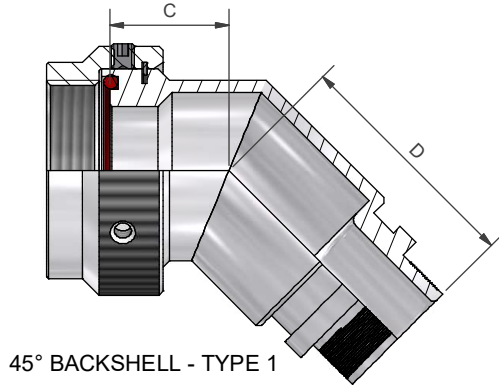
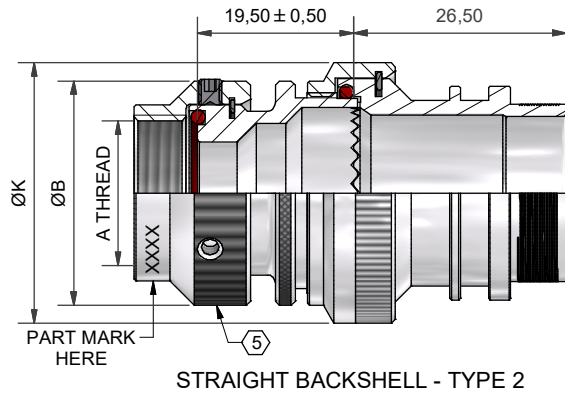
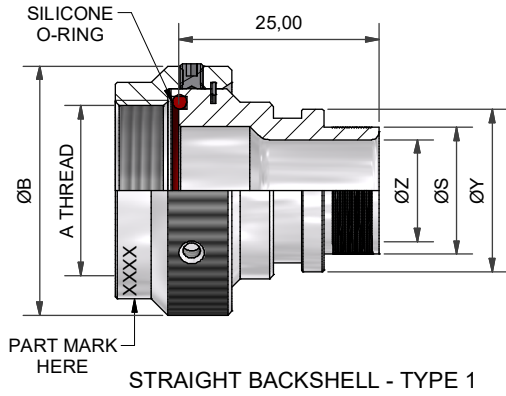
SERIES \_\_\_\_\_  
 TXR: RING INCLUDED  
 (SEE RING OPTION)  
 TX: RING NOT INCLUDED  
 CONNECTOR INTERFACE \_\_\_\_\_  
 MATERIAL \_\_\_\_\_  
 REFER TO CH00-0250-008  
 FINISH \_\_\_\_\_  
 REFER TO CH00-0250-008  
 ANGLE \_\_\_\_\_  
 DASH NUMBER (TABLE 1) \_\_\_\_\_  
 ENTRY SIZE (TABLE 2) \_\_\_\_\_  
 RING OPTION \_\_\_\_\_  
 AI - TO SUIT SINGLE BRAID  
 BI - TO SUIT DOUBLE BRAID  
 FOR TX, LEAVE BLANK  
 MODIFICATION CODE \_\_\_\_\_  
 REFER TO CH00-0250-008 (2)

### NOTES:

1. THIS PRODUCT IS DESIGNED TO TERMINATE A BRAIDED CABLE SHIELD AND A HEAT SHRINKABLE LIPPED BOOT TO A CONNECTOR.
- (2) FOR ADDITIONAL DIMENSIONS, ORDERING INFORMATION AND MODIFICATIONS, SEE CH00-0250-008.
- (3) SEE DRAWING TR FOR DETAIL ON TINEL-LOCK RING, RINGS ARE DESIGNED TO BE HEATED ELECTRICALLY, ALL RINGS ARE MARKED WITH THERMOCHROMIC PAINT WHICH CHANGES COLOUR WHEN INSTALLATION TEMPERATURE IS REACHED.
4. BACKSHELL TO BE PERMANENTLY MARKED/BAGGED AND LABELLED WITH CODE IDENTIFICATION NUMBER AND PART NUMBER LESS RING DESIGNATOR. (e.g. 06090-TXR15AB00-1206). RING SHALL BEAR NO MARKING.
- (5) IF MAX ENTRY IS EXCEEDED, A 2 PIECE BACKSHELL ASSEMBLY (TYPE 2) IS SUPPLIED.
6. BACKSHELL MATES TO MIL-C-5015, SOLDER CONTACT, MS3100, MS3101, MS3106, MS3107 AND MS3108 WITH ENDBELL.
- (7) ANTI-ROTATIONAL SET SCREW, THREE THREADED HOLES  $120^\circ \pm 5^\circ$  APART, SINGLE MATING SET SCREW SUPPLIED.

DRAWN	K.WINCZURA	DATE	04/12/2014	 3RD ANGLE PROJECTION NOT TO SCALE  <small>UNLESS OTHERWISE SPECIFIED ALL DIMENSIONS IN MILLIMETRES GENERAL TOL LINEAR +/-0.25MM ANGULAR +/- 1°</small>	<b>TITLE:</b>  <h3>TINEL-LOCK BACKSHELL</h3>	 <b>Polamco</b> 		
CHECKED		04/12/2014	<b>ASSY USED ON:</b>  <h3>MIL-C-5015 MS "V" THREAD END BELLS</h3>					
APPROVED	K.SHEPPARD	11/12/2014						
APPROVED	H.SMITH	07/07/2015						
<b>REVISIONS</b>								
LTR	DESCRIPTION	DATE	APPROVED					
E	REVISED PER ECO-15-009981	07/07/2015	H.SMITH					
F	REVISED PER ECO-18-002419	03/04/2018	D.JONES					
TE CAGE CODE: 06090 POLAMCO/TE CAGE CODE: U5792					TE CONNECTIVITY - POLAMCO LTD RESERVES THE RIGHT TO AMEND THIS DRAWING AND THE INFORMATION SET FORTH HEREON AT ANY TIME. USERS SHOULD INDEPENDENTLY EVALUATE THE SUITABILITY OF THE PRODUCT FOR THEIR APPLICATION.	DRAWING NO: <b>TXR15</b>	DRAWING REV: <b>F</b>	SHT <b>1</b>

IF MAX ENTRY IS EXCEEDED BACKSHELL  
WILL BE SUPPLIED AS TYPE 2



<b>DRAWN</b>	K.WINCZURA	<b>DATE</b>	04/12/2014
<b>CHECKED</b>		<b>DATE</b>	04/12/2014
<b>APPROVED</b>	K.SHEPPARD	<b>DATE</b>	11/12/2014
<b>APPROVED</b>	H.SMITH	<b>DATE</b>	07/07/2015

3RD ANGLE  
PROJECTION  
NOT TO  
SCALE

UNLESS OTHERWISE SPECIFIED  
ALL DIMENSIONS IN MILLIMETRES  
**GENERAL TOL**  
LINEAR +/-0.25MM  
ANGULAR +/- 1°

**TITLE:**  
**TINEL-LOCK BACKSHELL**

**ASSY USED ON:**  
**MIL-C-5015 MS "V" THREAD END BELLS**



<b>REVISIONS</b>			
LTR	DESCRIPTION	DATE	APPROVED
E	REVISED PER ECO-15-009981	07/07/2015	H.SMITH
F	REVISED PER ECO-18-002419	03/04/2018	D.JONES

TE CONNECTIVITY - POLAMCO LTD RESERVES THE RIGHT TO AMEND THIS DRAWING AND THE INFORMATION SET FORTH HEREON AT ANY TIME. USERS SHOULD INDEPENDENTLY EVALUATE THE SUITABILITY OF THE PRODUCT FOR THEIR APPLICATION.

<b>DRAWING NO:</b> <b>TXR15</b>	<b>DRAWING REV:</b> <b>F</b>	<b>SHT</b> <b>2</b>
------------------------------------	---------------------------------	------------------------

TE CAGE CODE: 06090  
POLAMCO/TE CAGE CODE: U5792

THESE DIMENSIONS APPLY IF BACKSHELL IS STAINLESS STEEL OR NICKEL ALUMINIUM BRONZE

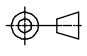
TABLE 1

ORDER NUMBER	SHELL SIZE	A THREAD	ØB MAX	MAX ENTRY	C ±0,5	D ±0,5	W ±0,5	T ±0,5	E MAX	W MAX	T ±0,5	E MAX
03	8S & 10S	1/2-28UNEF	21,5	05	12,6	27,5	21,7	13,5	28,5	22,2	15,0	28,5
04	10SL, 12 & 12S	5/8-24UNEF	25,0	07	14,0	28,0	24,9	15,9	30,0	25,4	16,5	30,0
06	14 & 14S	3/4-20UNEF	28,0	08	15,0	29,0	27,9	17,9	31,5	28,4	17,9	31,5
08	16 & 16S	7/8-20UNEF	31,1	10	15,6	29,7	31,3	19,3	33,2	31,8	20,1	33,2
10	18	1-20UNEF	35,0	12	16,3	30,5	34,3	21,3	34,8	34,8	21,3	34,8
12	20 & 22	1 3/16-18UNEF	39,0	16	17,2	30,9	40,4	22,9	36,3	40,9	22,9	36,3
16	24 & 28	1 7/16-18UNEF	45,2	20	17,9	32,1	46,5	27,0	39,4	44,5	27,0	39,4
20	32	1 3/4-18UNS	54,9	24	24,3	32,1	53,3	30,7	43,3	50,8	32,0	43,3
24	36	2-18UNS	62,0	24	26,9	29,3	57,8	32,8	47,3	58,3	34,8	47,3
28	40	2 1/4-16UN	68,6	24	31,8	30,7	64,4	36,5	51,5	64,9	38,9	51,5

THESE DIMENSIONS APPLY IF BACKSHELL IS STAINLESS STEEL OR NICKEL ALUMINIUM BRONZE

TABLE 2

ENTRY SIZE	ØZ MIN	ØS	ØY ±0,3	ØK MAX	F ±0,5	G ±0,5	H ±0,5	M ±0,5	J ±0,5	H ±0,5	M ±0,5	J ±0,5
04	6,35	9,49 +/-0,04	14,00	NA	NA	NA	NA	NA	NA	NA	NA	NA
05	7,92	11,06 +/-0,04	15,50	NA	NA	NA	NA	NA	NA	NA	NA	NA
06	9,53	12,66 +/-0,04	17,10	21,0	12,5	27,5	24,0	15,5	27,95	24,3	17,2	28,2
07	11,10	14,21 +/-0,07	18,70	21,0	12,5	27,5	24,0	15,5	27,95	24,3	17,2	28,2
08	12,70	15,81 +/-0,07	20,30	24,5	13,1	28,0	27,0	17,0	29,45	28,3	19,4	29,7
10	15,88	18,96 +/-0,08	23,50	29,0	13,5	29,0	31,0	19,5	31,00	31,1	21,0	31,2
12	19,05	22,14 +/-0,08	26,70	32,5	14,5	29,7	34,0	21,0	32,70	34,2	22,8	32,9
14	22,23	25,30 +/-0,08	29,80	35,5	15,5	30,5	35,0	20,0	34,25	38,5	25,3	34,5
16	25,40	28,48 +/-0,08	33,00	37,0	16,1	30,9	38,0	21,5	35,80	40,7	26,1	36,1
18	28,58	31,65 +/-0,08	36,20	40,0	16,5	31,1	42,0	24,0	37,40	43,7	27,6	37,6
20	31,75	34,83 +/-0,08	39,40	43,5	17,0	32,1	45,0	25,5	38,90	46,4	29,1	39,1
22	34,93	37,98 +/-0,08	42,50	48,5	18,5	35,3	54,5	31,0	42,00	50,0	31,0	42,0
24	38,10	41,15 +/-0,08	45,70	52,1	21,9	38,1	58,0	33,0	46,00	53,5	33,0	46,0

<b>DRAWN</b>	K.WINCZURA	DATE	04/12/2014	 3RD ANGLE PROJECTION NOT TO SCALE
<b>CHECKED</b>		DATE	04/12/2014	
<b>APPROVED</b>	K.SHEPPARD	DATE	11/12/2014	
<b>APPROVED</b>	H.SMITH	DATE	07/07/2015	
<b>REVISIONS</b>				
<b>LTR</b>	<b>DESCRIPTION</b>	<b>DATE</b>	<b>APPROVED</b>	
E	REVISED PER ECO-15-009981	07/07/2015	H.SMITH	
F	REVISED PER ECO-18-002419	03/04/2018	D.JONES	

UNLESS OTHERWISE SPECIFIED ALL DIMENSIONS IN MILLIMETRES  
**GENERAL TOL**  
 LINEAR +/-0,25MM  
 ANGULAR +/- 1°



**TITLE:**  
**TINEL-LOCK BACKSHELL**

**ASSY USED ON:**  
**MIL-C-5015 MS "V" THREAD END BELLS**



## Looking for pricing, stock, or lifecycle information?

Click below to explore more details on WIN SOURCE:

-  [View TX15AB00-2414](#) on WIN SOURCE
-  [TE Connectivity](#) Information

## Optimize Your Supply Chain with WIN SOURCE Solutions

-  Global Sourcing Solution
-  Obsolete Management
-  Cost Control Management
-  Shortage Management
-  Alternative Solution
-  Excess Inventory Management