



**THE DATASHEET OF  
A5348CA-T**

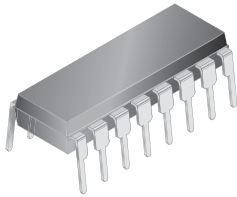


## ***Ionization Smoke Detector with Interconnect and Timer***

### Features and Benefits

- Low average standby current for long battery life
- Interconnect up to 125 detectors
- Piezoelectric horn driver
- Guard outputs for detector input
- Pulse testing for low battery
- Power-on reset (POR)
- Internal reverse battery protection
- Timer (Hush) mode for enabling reduced sensitivity period
- Built-in hysteresis reduces false triggering

### Package: 16-pin DIP (suffix A):



Not to scale

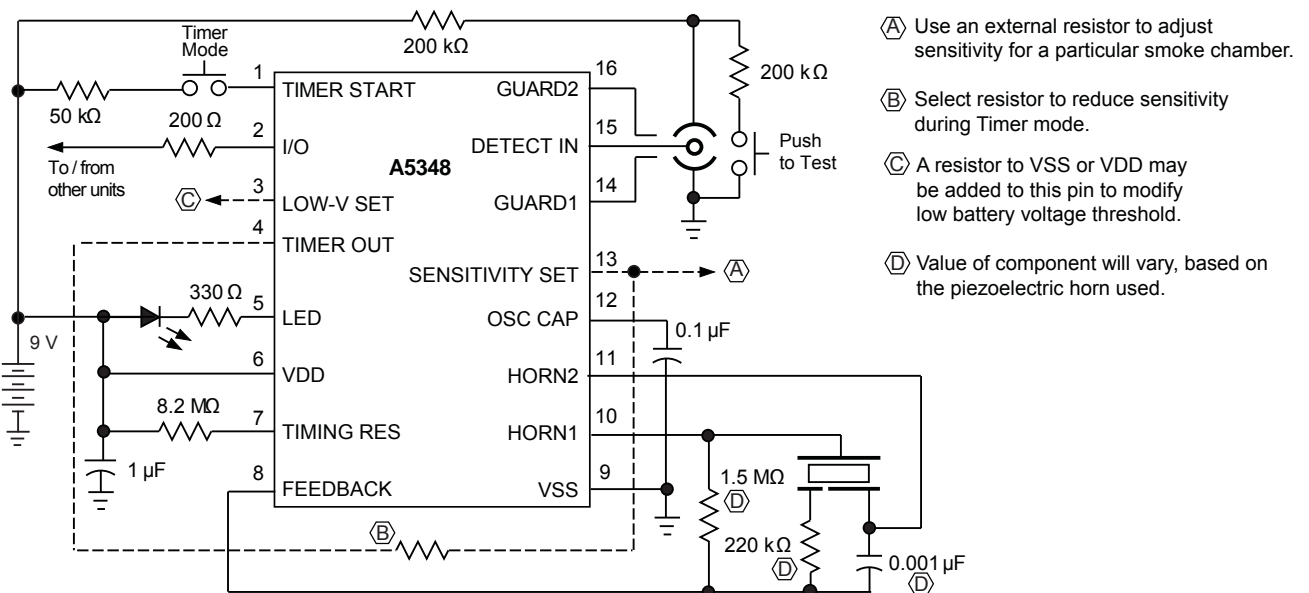
### Description

The A5348 is a low-current, BiCMOS circuit providing all of the required features for an ionization-type smoke detector. A networking capability allows as many as 125 units to be interconnected so that if any unit senses smoke all units will sound their alarm. In addition, special features are incorporated to facilitate alignment and test of the finished smoke detector.

The internal oscillator and timing circuitry keep standby power to a minimum by powering down the device for 1.66 seconds and sensing for smoke for only 10 ms. Every 24 on-off cycles, a check is made for a low battery condition. By substituting other types of sensors or a switch for the ionization detector, this very-low-power device can be used in numerous other battery-operated safety/security applications.

The A5348 is supplied in a low-cost 16-pin dual in-line plastic package (DIP). It is rated for continuous operation over the temperature range of  $-10^{\circ}\text{C}$  to  $60^{\circ}\text{C}$ . The Pb (lead) free version (suffix -T) has 100% matte tin leadframe plating.

### Typical Application



# A5348

# *Ionization Smoke Detector with Interconnect and Timer*

## Selection Guide

Part Number	Pb-Free	Packing
A5348CA-T	Yes	25 pieces per tube
A5348CA	–	

## Absolute Maximum Ratings\*

Characteristic	Symbol	Notes	Rating	Units
Supply Voltage Range	$V_{DD}$	Referenced to $V_{SS}$	–0.5 to 15	V
Input Voltage Range	$V_{IN}$	Referenced to $V_{SS}$	–0.3 to $V_{DD} + 0.3$	V
Reverse Battery Condition Duration	$t_{RBAT}$	10.5 V	20	s
Input Current	$I_{IN}$		10	mA
Operating Ambient Temperature	$T_A$		–10 to 60	°C
Junction Temperature	$T_J(max)$		150	°C
Storage Temperature Range	$T_{stg}$		–55 to 125	°C

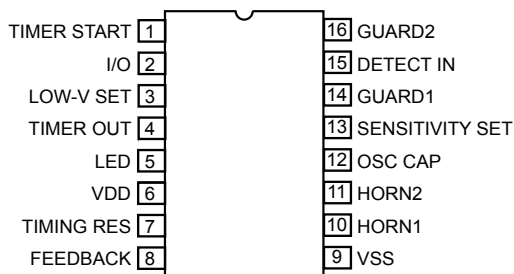
\* CAUTION: BiCMOS devices have input static protection but are susceptible to damage when exposed to extremely high static electrical charges.

## THERMAL CHARACTERISTICS

Characteristic	Symbol	Test Conditions*	Value	Units
Package Thermal Resistance	$R_{\theta JA}$	4-layer PCB based on JEDEC standard	38	°C/W

\*Additional thermal information available on Allegro website.

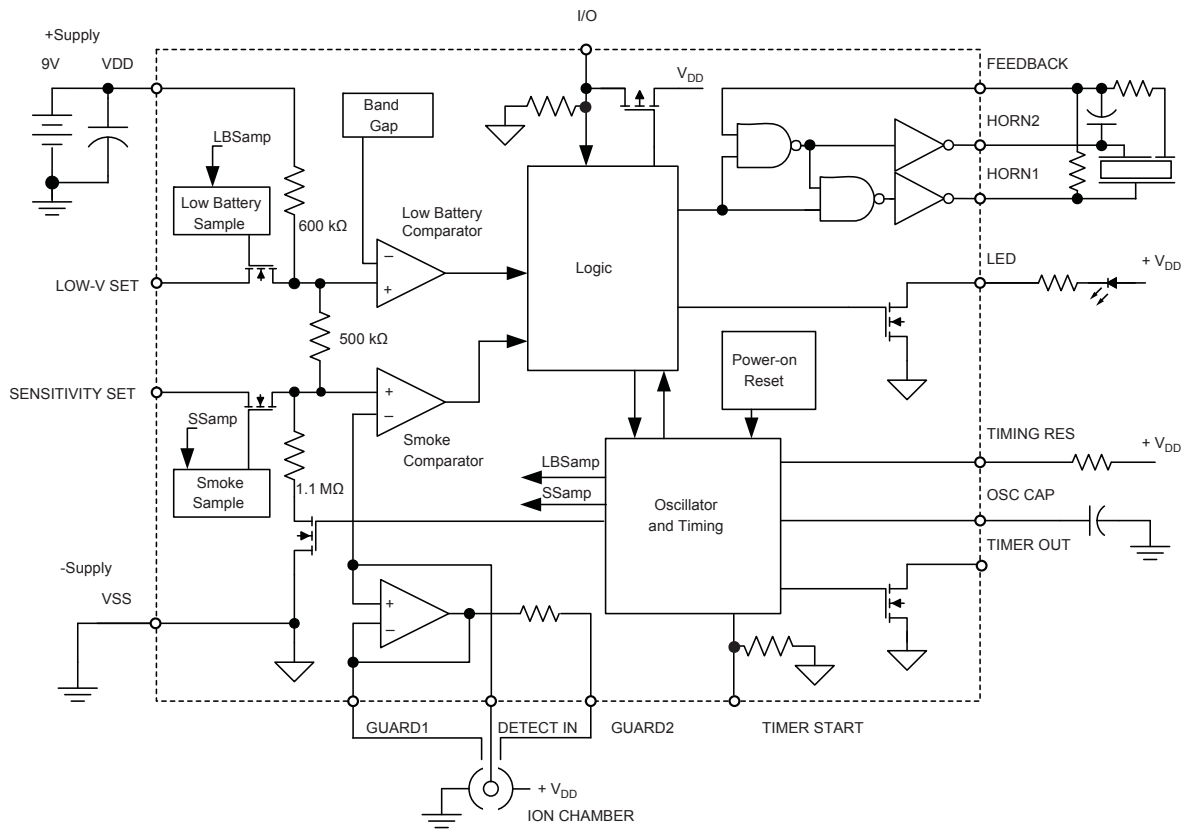
## Pin-out Diagram



## Terminal List Table

Number	Name	Function
1	TIMER START	Input to start reduced sensitivity timer mode
2	I/O	Input/output to interconnected detectors
3	LOW-V SET	Optionally used with a resistor to adjust low-battery threshold
4	TIMER OUT	Optionally used with a resistor to adjust sensitivity during timer mode
5	LED	Output to drive visible LED
6	VDD	Positive supply voltage
7	TIMING RES	Terminal for timing resistor, sets internal bias (affects timing)
8	FEEDBACK	Input for driving piezoelectric horn
9	VSS	Negative supply voltage
10	HORN1	Output for driving piezoelectric horn
11	HORN2	Complementary output for driving piezoelectric horn
12	OSC CAP	Terminal for charging/discharging an external capacitor to run the oscillator
13	SENSITIVITY SET	Optionally used with a resistor to adjust sensitivity for a specific chamber
14	GUARD1	Active guard 1 for detector input
15	DETECT IN	Input from detector chamber
16	GUARD2	Active guard 2 for detector input

**Functional Block Diagram**



**ELECTRICAL CHARACTERISTICS**<sup>1,2</sup> at  $T_A = 25^\circ\text{C}$ ,  $V_{DD} = 9.0\text{ V}$ ,  $V_{SS} = 0\text{ V}$ ,  $C_{OSSCAP} = 0.1\ \mu\text{F}$ ,  
 $R_{TIMINGRES} = 8.2\ \text{M}\Omega$  (unless otherwise noted)

Characteristic	Symbol	Test Conditions	Test Pin	Min.	Typ.	Max.	Units
Supply Voltage Range	$V_{DD}$	Operating	6	6.0	9.0	12	V
Supply Current	$I_{DD}$	$V_{DD} = 9.0\text{ V}$ , no alarm, no loads	6	—	5.0	9.0	$\mu\text{A}$
		$V_{DD} = 12\text{ V}$ , no alarm, no loads	6	—	—	12	$\mu\text{A}$
Detector Input Current	$I_{DETECTIN}$	0% to 40% RH, $V_{IN} = 0$ to $9.0\text{ V}$	15	—	—	$\pm 1.0$	$\mu\text{A}$
Input Offset Voltage	$V_{OS(GUARD1)}$	Active GUARD1	14, 15	—	—	$\pm 100$	mV
	$V_{OS(GUARD2)}$	Active GUARD2	16, 15	—	—	$\pm 100$	mV
	$V_{OS}$	Detect comparator	15, 13	—	—	$\pm 50$	mV
Hysteresis	$V_{HYS}$	No alarm to alarm	13	90	130	170	mV
Common Mode Range	$V_{CM(\text{guard})}$	Guard amplifier	14, 15	2.0	—	$V_{DD} - 0.5$	V
	$V_{CM}$	Smoke comparator	13, 15	0.5	—	$V_{DD} - 2.0$	V
Active Guard Impedance	$Z_{AG1}$	GUARD1 to VSS	14	—	10	—	$\text{k}\Omega$
	$Z_{AG2}$	GUARD2 to VSS	16	—	500	—	$\text{k}\Omega$
Oscillator Period	$t_{osc}$	No alarm	12	1.34	1.67	2.00	s
	$t_{osc(\text{alarm})}$	Local or remote alarm	12	37.50	41.67	45.84	ms
Oscillator Pulse Width	$t_{w(\text{osc})}$		12	8.0	10	12	ms
Timer Mode Duration	$t_{timer}$	After TIMER START high-to-low, no smoke	4	8.0	10	12	min
Low-Battery Threshold	$V_{DD(\text{th})}$	$T_A = 0^\circ\text{C}$ to $50^\circ\text{C}$ , LOW-V SET open circuit	6	7.2	—	7.8	V
Sensitivity Adjust Voltage	$V_{SET}$	$V_{SENSITIVITYSET} / V_{DD}$ , SENSITIVITY SET open circuit	13	48.5	50	51.5	$\%V_{DD}$
Horn Output Voltage	$V_{OL}$	$I_{OUT} = 16\text{ mA}$ , $V_{DD} = 9.0\text{ V}$	10, 11	—	0.1	0.5	V
		$I_{OUT} = 16\text{ mA}$ , $V_{DD} = 7.2\text{ V}$	10, 11	—	—	0.9	V
	$V_{OH}$	$I_{OUT} = -16\text{ mA}$ , $V_{DD} = 9.0\text{ V}$	10, 11	8.5	8.8	—	V
		$I_{OUT} = -16\text{ mA}$ , $V_{DD} = 7.2\text{ V}$	10, 11	6.3	—	—	V
Horn Output On-Time	$t_{on(\text{horn})}$	Local or remote alarm	10, 11	120	160	208	ms
	$t_{w(\text{horn})}$	Low battery	10, 11	8	10	12	ms
Horn Output Off-Time	$t_{off(\text{horn})}$	Local or remote alarm	10, 11	60	80	104	ms
	$t_{horn}$	Low battery	10, 11	32	40	48	s
TIMER START Logic Levels	$V_{IH}$		1	3.5	—	—	V
	$V_{IL}$		1	—	—	1.5	V
TIMER START Input Current	$I_{IN}$	$V_{TIMERSTART} = 9.0\text{ V}$	1	20	—	80	$\mu\text{A}$
TIMER OUT Pulldown Current	$I_{PD}$	$V_{TIMEROUT} = 0.5\text{ V}$	4	500	—	—	$\mu\text{A}$
LED Output-On Current	$I_{LED}$	$V_{DD} = 7.2\text{ V}$ , $V_{LED} = 1.0\text{ V}$	5	10	—	—	mA
LED Output On-Time	$t_{w(LED)}$		5	8.0	10	12	ms
LED Output Off-Time	$t_{LED1}$	No alarm, in standby	5	32	40	48	s
	$t_{LED2}$	No alarm, timer mode	5	8.0	10	12	s
	$t_{LED3}$	Local alarm or test alarm	5	0.76	0.97	1.14	s
	$t_{LED4}$	Remote alarm, no local smoke	5	—	No LED pulses	—	s

Continued on the next page...

**ELECTRICAL CHARACTERISTICS**<sup>1,2</sup> (continued) at  $T_A = 25^\circ\text{C}$ ,  $V_{DD} = 9.0\text{ V}$ ,  $V_{SS} = 0\text{ V}$ ,  $C_{OSCCAP} = 0.1\ \mu\text{F}$ ,  $R_{TIMINGRES} = 8.2\ \text{M}\Omega$  (unless otherwise noted)

Characteristic	Symbol	Test Conditions	Test Pin	Min.	Typ.	Max.	Units
I/O Current	$I_{IOL}$	No alarm, $V_{I/O} = V_{DD} - 2.0\text{ V}$	2	25	—	60	$\mu\text{A}$
	$I_{IOH}$	Local alarm, $V_{I/O} = V_{DD} - 2.0\text{ V}$	2	-7.5	—	—	mA
I/O Alarm Voltage	$V_{IH(I/O)}$	External "alarm" in	2	3.0	—	—	V
I/O Delay	$t_{r(I/O)}$	Local or test alarm to I/O active	2	—	3.0	—	s

<sup>1</sup>Negative current is defined as coming out of the specified device pin (sourcing).

<sup>2</sup>Alarm (smoke) condition is defined as  $V_{DETECTIN} < V_{SENSITIVITYSET}$ ; no alarm (no smoke) condition is defined as  $V_{DETECTIN} > V_{SENSITIVITYSET}$ .

## Circuit Description

The A5348 is a low-current, BiCMOS circuit providing all of the required features for an ionization-type smoke detector.

### Oscillator

An internal oscillator operates with a period of 1.67 seconds during no-smoke conditions. Every 1.67 seconds, internal power is applied to the entire circuit for 10 ms and a check is made for smoke. Every 24 clock cycles (approximately 40 seconds), the LED pin is pulsed and a check is made for low battery by comparing  $V_{DD}$  to an internal reference. Because very-low currents are used in the device, the oscillator capacitor at the OSC CAP pin should be a low-leakage type (PTFE, polystyrene, or polypropylene).

### Detector Circuitry

When the voltage on the DETECT IN pin is less than the voltage on the SENSITIVITY SET pin, the A5348 evaluates this as a *smoke condition*. During a smoke condition, the resistor divider network that sets the sensitivity (also referred to as the *smoke trip point*) is altered to increase  $V_{SENSITIVITYSET}$  by 130 mV typical (with no external connections on the SENSITIVITY SET pin). This provides hysteresis and reduces false triggering.

An active guard is provided on GUARD1 and GUARD2, the two pins adjacent to the detector input, the DETECT IN pin.  $V_{GUARD1}$  and  $V_{GUARD2}$  will be within 100 mV of  $V_{DETECTIN}$ . This will keep surface leakage currents to a minimum and provide a method of measuring the input voltage without loading the ionization chamber. The active guard amplifier is not power strobed and thus provides constant protection from surface leakage

currents. The detector input has internal diode protection against electrostatic damage.

### Alarm Circuitry

If smoke is detected, the oscillator period changes to 40 ms and the horn is enabled. The horn output is typically 160 ms on, 80 ms off. During the off-time, smoke is checked and further alarm output will be inhibited if smoke is not sensed. During a smoke condition, the low-battery alarm is inhibited and the LED is pulsed approximately once every second.

### Sensitivity Adjust

The detector sensitivity to smoke is set internally by a voltage divider connected between VDD and VSS. The sensitivity can, however, be externally adjusted to the individual characteristics of the ionization chamber by connecting a resistor between the SENSITIVITY SET pin and either the VDD or VSS pins.

With no external connections on the SENSITIVITY SET pin, while the A5348 is checking for smoke:

$$V_{SENSITIVITYSET} = V_{DD} / 2 .$$

To increase sensitivity, a resistor can be connected between SENSITIVITY SET and VDD, with the value:

$$R_{SENSITIVITYSET} = 1.1\text{E}6 \times K / (1 - K) ,$$

where

$$K = V_{DD} / V_{SENSITIVITYSET} - 1 .$$

To decrease sensitivity, a resistor can be connected between

SENSITIVITY SET and VSS, with the value:

$$R_{\text{SENSITIVITYSET}} = 1.1\text{E}6 \times K / (1 - K) ,$$

where

$$K = 1 / (V_{\text{DD}} / V_{\text{SENSITIVITYSET}} - 1) .$$

### Low Battery

The low battery condition threshold is set internally by a voltage divider connected between VDD and VSS. The threshold can be externally adjusted by connecting a resistor between the LOW-V SET pin and either the VDD or VSS pins.

To increase the threshold, a resistor can be connected between LOW-V SET and VSS. Given an initial threshold,  $V_{(\text{th})\text{init}}$  (nominally 7.5 V), and a target threshold,  $V_{(\text{th})\text{set}}$ , the resistor should have the value:

$$R_{\text{LOWVSET}} = 600\text{E}3 \times K / (1 - 0.375 \times K) ,$$

where

$$K = 1 / (V_{(\text{th})\text{set}} / [0.727 \times V_{(\text{th})\text{init}}] - 1) .$$

To decrease the threshold, a resistor can be connected between LOW-V SET and VDD. Given an initial threshold,  $V_{(\text{th})\text{init}}$  (nominally 7.5 V), and a target threshold,  $V_{(\text{th})\text{set}}$ , the resistor should have the value:

$$R_{\text{LOWVSET}} = 960\text{E}3 \times K / (0.6 - 1.6 \times K) ,$$

where

$$K = V_{(\text{th})\text{set}} / (0.727 \times V_{(\text{th})\text{init}}) - 1 .$$

The battery voltage level is checked approximately every 40 seconds during the (approximately) 10 mA, 10 ms LED pulse. If an LED is not used, it should be replaced with an equivalent resistor (typically 500 to 1000  $\Omega$ ) such that the battery loading remains about 10 mA.

### Timer (Hush) Mode

An internal timer is provided that can be used in various configurations to allow a period of reduced smoke detector sensitivity, referred to as Timer (or Hush) mode.

In normal operation, when a high-to-low transition occurs at the TIMER START pin, the internal timer is reset, Timer mode is enabled, and the circuit resets to a no-alarm condition. During Timer mode, which is active for approximately 10.25 minutes (368 clock cycles), the TIMER OUT pin is pulled down to VSS every time the A5348 makes a check for smoke. A resistor connected between the TIMER OUT and the SENSITIVITY SET

pins will decrease the detector's sensitivity to smoke during this time, and allow the user to hush alarms caused by nuisance smoke or steam (such as from cooking). At the end of Timer mode, the device signals its completion with two 10-ms horn chirps, 1.67 seconds apart.

While the Timer mode is active, the LED flashes once every (approximately) 10 seconds. If the level of smoke increases such that the reduced-sensitivity level is reached, the A5348 will signal an Alarm condition. If such an Alarm condition does occur, the timer will still continue to completion of its cycle. If Timer mode will not be used, the TIMER START pin can be tied to VSS or left open.

### I/O

A connection to the I/O pin allows multiple smoke detectors to be interconnected. If any single unit detects smoke, its I/O pin is driven high (after a nominal 3 s delay), and all connected units will sound their associated horns. When the I/O pin is driven high by another device, the oscillator immediately speeds up to its 41.7 ms period. The remainder of the sped-up clock cycle, and two additional consecutive clock cycles with I/O high are required to cause an alarm. If the I/O pin falls below its threshold at any time during those (approximately) 83.4 ms, an internal latch is reset and there will not be an alarm. Thus, the I/O must remain high for (approximately) 93.9 ms in order to cause an alarm. This filtering provides significant immunity to I/O noise.

The LED is suppressed when an alarm is signaled from an interconnected unit, and any local alarm condition causes the I/O pin to be ignored as an input. When in Timer mode, the device will still signal an alarm if I/O is driven high externally. This pin has an on-chip pulldown device and must be left unconnected if not used.

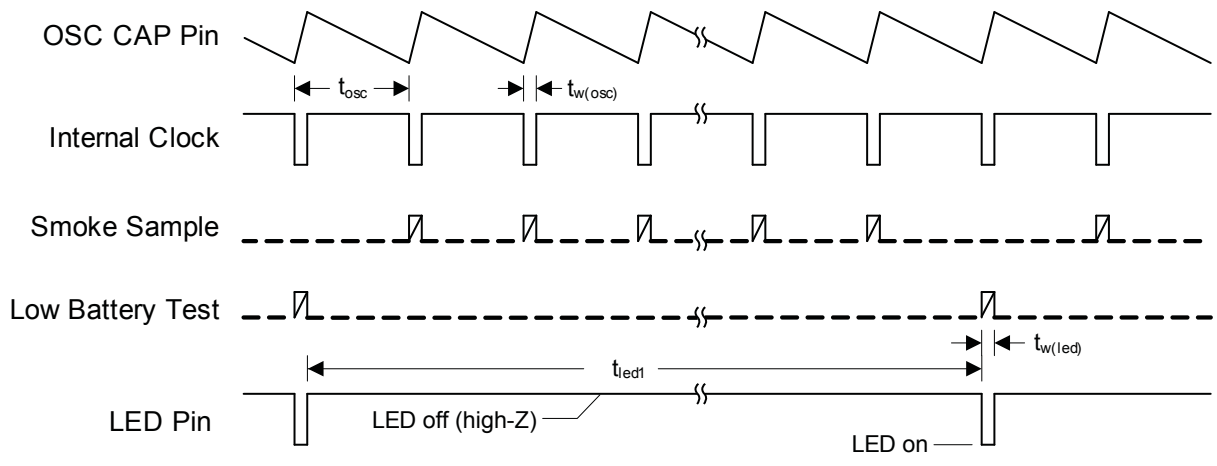
### Testing

On power-up, all internal counters are reset. Internal test circuitry allows low battery check by holding the FEEDBACK and OSC CAP pins low during power-up, then reducing  $V_{\text{DD}}$  and monitoring the HORN1 pin. HORN1 will be driven high when  $V_{\text{DD}}$  falls below the low-battery threshold. All functional tests can be accelerated by driving the OSC CAP pin with a 2 kHz square wave. The 10 ms strobe period must be maintained for proper operation of the comparator circuitry.

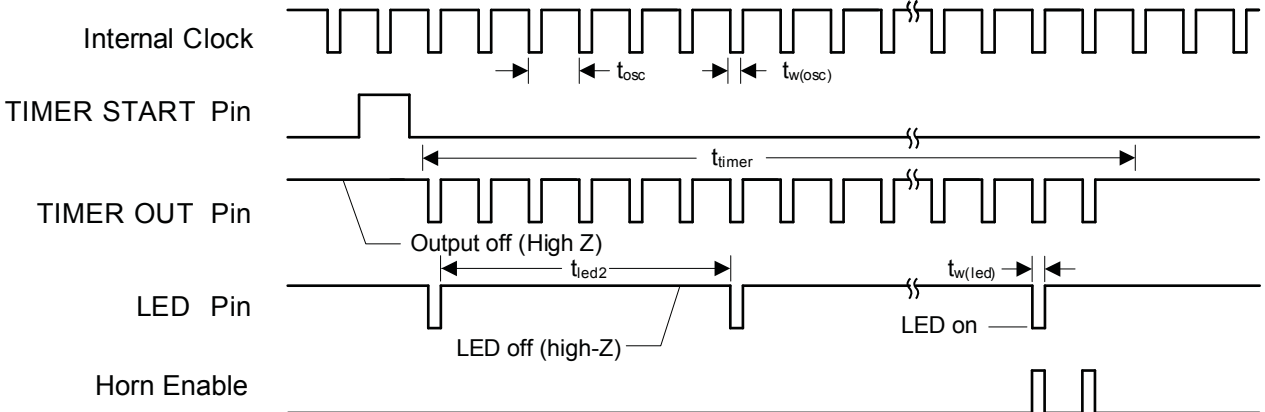
**Timing Diagrams**  
(Not to scale)

▮ Test event

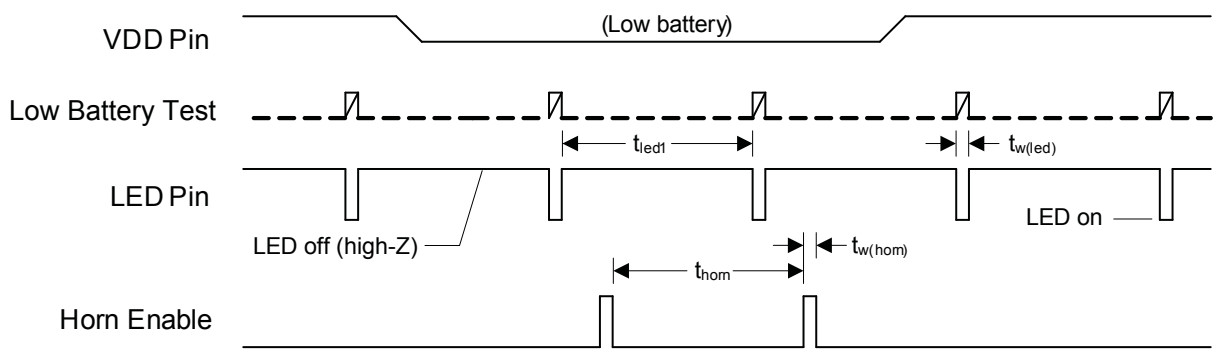
**Standby Mode**



**Timer Mode**

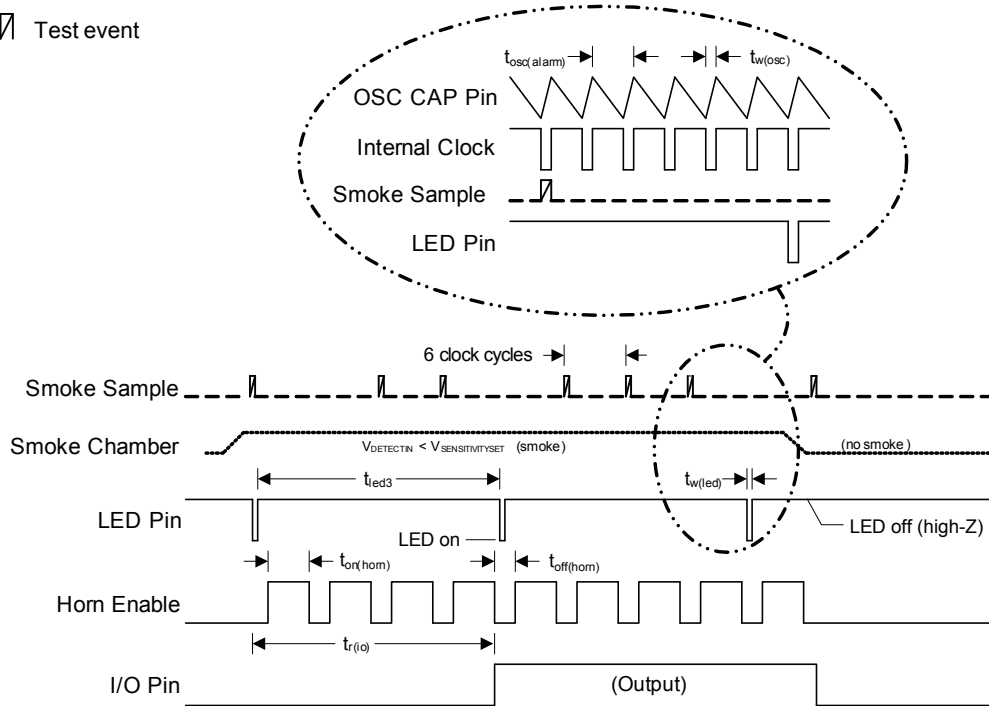


**Low Battery Condition**

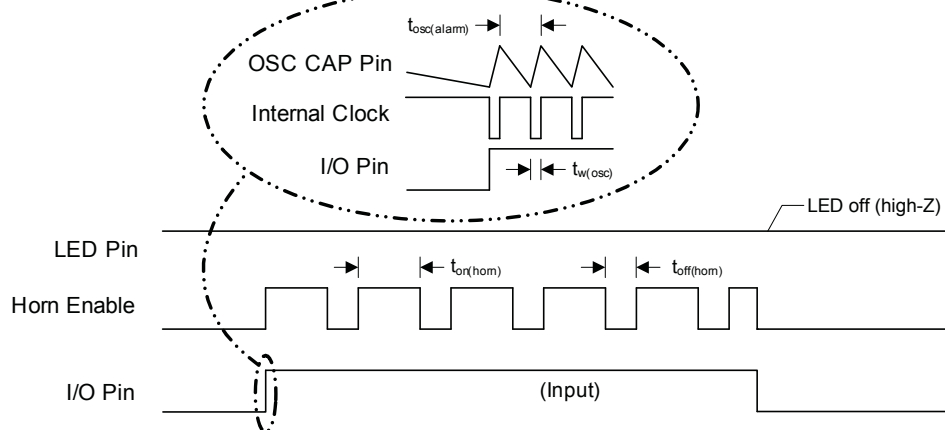


**Local Smoke Detection/Test Alarm Condition**

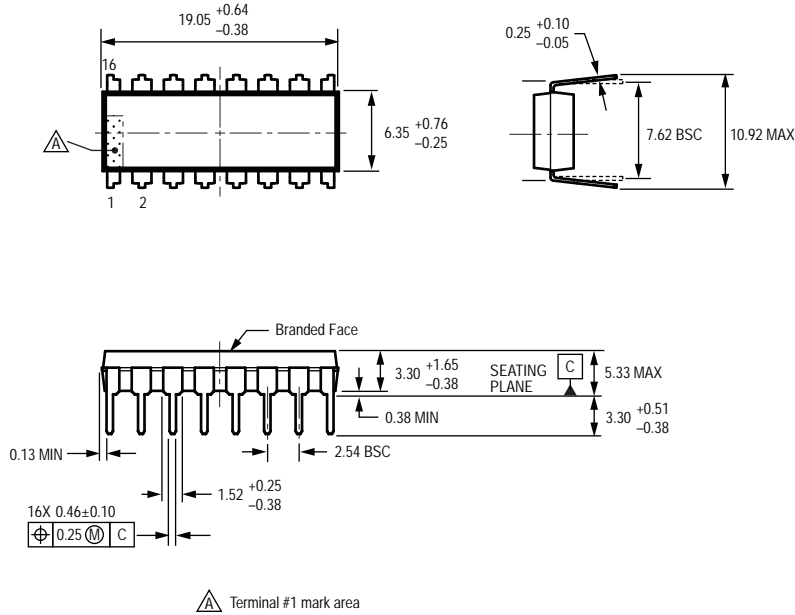
▮ Test event



**Remote Alarm Condition**



**Package A, 16-Pin DIP**



△ Terminal #1 mark area

For Reference Only; not for tooling use (reference MS-001BB)  
 Dimensions in millimeters  
 Dimensions exclusive of mold flash, gate burrs, and dambar protrusions  
 Exact case and lead configuration at supplier discretion within limits shown

Allegro MicroSystems offers an industry-leading range of ionization and photoelectric smoke detector ICs. For a current listing, please visit our website at:

[www.allegromicro.com](http://www.allegromicro.com)

Copyright ©1990-2013, Allegro MicroSystems, LLC

Allegro MicroSystems, LLC reserves the right to make, from time to time, such departures from the detail specifications as may be required to permit improvements in the performance, reliability, or manufacturability of its products. Before placing an order, the user is cautioned to verify that the information being relied upon is current.

Allegro's products are not to be used in life support devices or systems, if a failure of an Allegro product can reasonably be expected to cause the failure of that life support device or system, or to affect the safety or effectiveness of that device or system.

The information included herein is believed to be accurate and reliable. However, Allegro MicroSystems, LLC assumes no responsibility for its use; nor for any infringement of patents or other rights of third parties which may result from its use.

For the latest version of this document, visit our website:

[www.allegromicro.com](http://www.allegromicro.com)



## Looking for pricing, stock, or lifecycle information?

Click below to explore more details on WIN SOURCE:

- ⊖ [View A5348CA-T on WIN SOURCE](#)
- ⊖ [Allegro MicroSystems, LLC Information](#)

## Optimize Your Supply Chain with WIN SOURCE Solutions

- ✓ Global Sourcing Solution
- ✓ Obsolete Management
- ✓ Cost Control Management
- ✓ Shortage Management
- ✓ Alternative Solution
- ✓ Excess Inventory Management