

**Circuits
from the Lab®**
Reference Designs

Circuits from the Lab® reference designs are engineered and tested for quick and easy system integration to help solve today's analog, mixed-signal, and RF design challenges. For more information and/or support, visit www.analog.com/CN0398.

Devices Connected/Referenced

AD7124-8	8-Channel, Low Noise, Low Power, 24-Bit, Σ - Δ ADC with PGA and Reference
ADR3433	Micropower, High Accuracy Voltage Reference
ADA4661-2	18 V, Precision, 725 μ A, 4 MHz, CMOS RRIO Operational Amplifier
ADP7118-2.5	20 V, 200 mA, Low Noise, CMOS LDO Linear Regulator

Soil Moisture and pH Measurement System with Temperature Compensation

EVALUATION AND DESIGN SUPPORT

Circuit Evaluation Boards

[CN-0398 Circuit Evaluation Board \(EVAL-CN0398-ARDZ\)](#)
[Arduino-Compatible Platform Board \(EVAL-ADICUP360\)](#)

Design and Integration Files

[Schematics, Layout Files, Bill of Materials](#)

CIRCUIT FUNCTION AND BENEFITS

The circuit shown in Figure 1 is a single-supply, low power, high precision complete solution for soil moisture and pH measurements, including temperature compensation. The circuit is optimized for use with capacitive soil moisture sensors that are insensitive to water salinity and do not corrode over time.

The circuit also measures soil pH and that function is suitable in a variety of applications.

The total current required by the circuit excluding the moisture sensor is only 1.95 mA maximum. The additional power required for the moisture sensor can be minimized by enabling it only for short periods of time using a pulse width modulated (PWM) signal.

The printed circuit board (PCB) is designed in an Arduino-compatible shield form factor and interfaces to the [EVAL-ADICUP360](#) Arduino-compatible platform board for rapid prototyping.

Rev. 0

Circuits from the Lab reference designs from Analog Devices have been designed and built by Analog Devices engineers. Standard engineering practices have been employed in the design and construction of each circuit, and their function and performance have been tested and verified in a lab environment at room temperature. However, you are solely responsible for testing the circuit and determining its suitability and applicability for your use and application. Accordingly, in no event shall Analog Devices be liable for direct, indirect, special, incidental, consequential or punitive damages due to any cause whatsoever connected to the use of any Circuits from the Lab circuits. (Continued on last page)

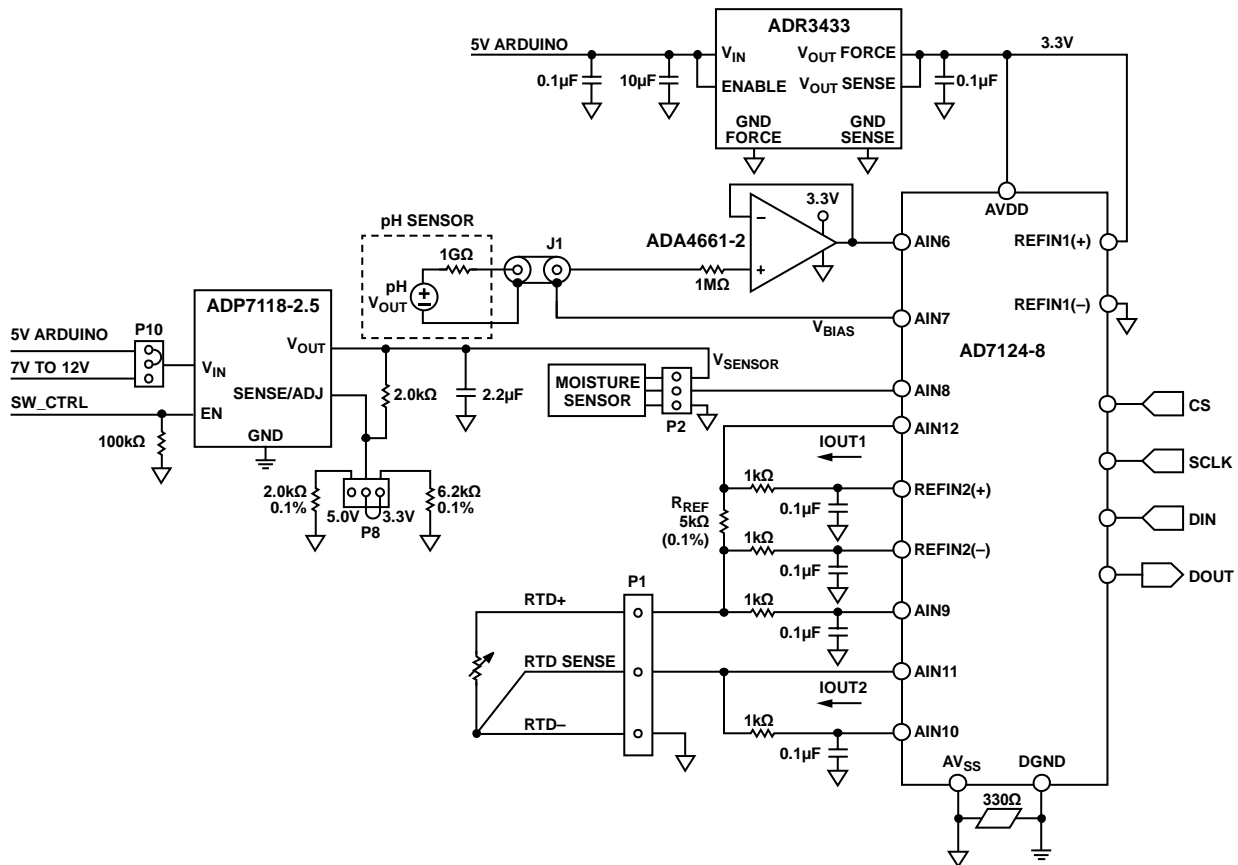


Figure 1. Simplified Circuit Block Diagram

CIRCUIT DESCRIPTION

The system is divided into three independent measurement front ends: pH, soil moisture, and temperature. After signal conditioning, the three channels share an [AD7124-8](#) 24-bit, Σ - Δ , analog-to-digital converter (ADC). The [AD7124-8](#) is a low power, low noise, completely integrated analog front end for high precision measurement applications. The device contains a low noise, 24-bit, Σ - Δ ADC, and can be configured to have 8 differential inputs or 15 single-ended or pseudo differential inputs. The on-chip gain stage ensures that signals of small amplitude can be interfaced directly to the ADC.

When the ADC is configured for bipolar code operation, the output code for any analog input voltage can be represented as

$$\text{Code} = 2^{N-1} \times [(A_{IN} \times \text{Gain}/V_{REF}) + 1]$$

where:

$N = 24$.

A_{IN} is the analog input voltage.

Gain is the gain setting (1 to 128).

V_{REF} is the external reference voltage connected between REFIN(+) and REFIN(-) of the [AD7124-8](#).

The [AD7124-8](#) uses the [ADR3433](#), a low cost, low power, high precision CMOS voltage reference, featuring $\pm 0.1\%$ initial accuracy, low operating current, and low output noise. The [ADR3433](#) provides both the 3.3 V reference and also the AVDD supply to the [AD7124-8](#). The [ADR3433](#) can source current up to 10 mA.

Soil pH Measurement

The circuit uses the [ADA4661-2](#) precision op amp to buffer the high impedance pH probe output and to drive the ADC. The [ADA4661-2](#) is a dual, precision, rail-to-rail, input/output amplifier optimized for low power, high bandwidth, and wide operating supply voltage range. Typical input bias current is 0.15 pA to minimize offset errors caused by the bias current flowing through the high output impedance (approximately 1 G Ω) of the pH sensor. The offset voltage of the [ADA4661-2](#) is only 150 μ V.

Soil properties are determined by a number of parameters. Soil texture is determined by the mineral particles that include sand, silt and clay. Soil also contains organic matter (living and dead), air, and water. Dissolved chemicals cause the water in the soil to be acidic or alkaline. Soil acidity and alkalinity are measured in units of pH. The pH scale is from 0 (most acid) to 14 (most alkaline), and a pH of 7 is neutral.

A soil pH of 5.2 to 8.0 provides optimum conditions for most agricultural plants. All plants are affected by the extremes of pH, but there is wide variation in their tolerance to acidity and alkalinity. Some plants grow well over a wide pH range, while others are very sensitive to small variations in acidity or alkalinity.

The combination pH electrode can be used for pH measurements. It consists of a glass electrode concentrically surrounded by the reference electrode. The pH electrode generates a small dc voltage

corresponding to the soil pH. The measured pH is evaluated to determine if it is within the desired pH range for the specific crop to be grown. Methods are then used to correct soil acidity by raising the pH (adding an acid neutralizer such as calcium), or by reducing alkalinity by lowering the pH (adding sulfur, for example).

The output of the pH sensor is bipolar and gives a maximum signal of ± 414 mV at 25°C. The [AD7124-8](#) operates from a single power supply therefore the pH probe should be biased above ground so that it is within the acceptable common-mode range of the [AD7124-8](#). One of the integrated features of the [AD7124-8](#) is its internal bias voltage generator that sets the common-mode voltage of a channel to AVDD/2, or 1.65 V. This bias voltage from the ADC is applied to the pH probe shield and sets the output of the sensor 1.65 V ± 414 mV at 25°C.

Two-Point pH Calibration

The characteristics of pH electrode change with time due to electrode coating and aging, therefore a calibration procedure is required to obtain maximum accuracy.

Calibration is performed by measuring the pH of two buffer solutions, each with a known pH. The software includes NIST lookup tables for different pH buffer solutions and includes the pH temperature corrected pH values from 0°C to 95°C. The RTD is used to measure the temperature of the solution.

Using the following linear equation,

$$y = mx + b \quad (1)$$

The actual slope of the pH sensor transfer function is determined, and the actual offset voltage measured. To calculate the slope, solve the following equation form:

$$m = \frac{y_2 - y_1}{x_2 - x_1} \quad (2)$$

where:

y_1 is the measured voltage at first point.

y_2 is the measured voltage at second point.

x_1 is the known pH at first point.

x_2 is the known pH at second point.

After taking the above measurements and substituting one of the calibration points into Equation 2, getting the unknown pH can be determined from the following final equation:

$$x = \frac{(y - y_1) + mx_1 - b}{m} \quad (3)$$

where:

x is the unknown soil pH.

y is the measured voltage.

b is the measured offset voltage.

m is the slope.

For direct measurement where no calibration is performed, unknown soil pH can be determined by solving the following Nernst Equation for pH:

$$E = \alpha - \frac{2.303R(T + 273.1)}{nF} \times (pH - pH_{ISO}) \quad (4)$$

where:

E is the measured electrode voltage of the unknown soil pH.

α is the measured offset voltage.

T is the measured temperature in °C.

$n = 1$ at 25°C, valence (number of charges on ion) .

$F = 96,485$ coulombs/mol, Faraday constant.

$R = 8.314$ volt-coulombs /K mol, Avogadro's number.

pH is the hydrogen ion concentration of an unknown solution.

$pH_{ISO} = 7$, reference hydrogen ion concentration.

Soil Moisture Measurement

An important factor affecting crop growth and yield is the soil water content. Soil moisture measurement is therefore key to water conservation in agriculture irrigation systems. Most of the common soil moisture sensors used in the industry today are capacitive type sensors. A capacitive sensor measures the water content of the soil, where the volume of water influences the dielectric constant within the total volume of the soil. Water has a relative dielectric constant, $\epsilon_r = 80$, which is much greater than the relative dielectric constant of other elements in the soil, such as mineral soil ($\epsilon_r = 4$), organic matter ($\epsilon_r = 4$), and air ($\epsilon_r = 1$). Changes in the amount of water content in the soil therefore correspond to capacitance changes due to changes in dielectric constant.

The moisture sensor converts the measured capacitance between the probes into a dc voltage that can interface directly to the ADC for conversion into corresponding volumetric water content (VWC).

The [CN-0398](#) moisture sensor circuit accepts the output of a 3-wire moisture sensor (power, ground, and voltage output) with an output voltage range from 0 V to 3 V. A moisture sensor, such as Decagon Devices EC-5, requires PWM excitation pulses that leave sensors turned off most of the time. The [ADP7118-2.5](#) LDO enable pin (SW_CTRL label) is used to turn the power to the sensor on and off with a PWM pulse.

The [ADP7118-2.5](#) is a CMOS, low dropout (LDO) linear regulator that operates from 2.7 V to 20 V and provides up to 200 mA of output current. The input to the [ADP7118-2.5](#) is selectable via the jumper P10 as either 5 V or 7 V to 12 V coming from the Arduino-compatible platform board. The output of the [ADP7118-2.5](#) is also selectable as 3.3 V or 5 V using the jumper on P8.

When turning the sensor power on and off with a PWM signal, the stabilization times of the sensors must be observed before sampling the output. The Decagon EC-5 sensor requires 10 ms, and the Vegetronix VH400 requires 400 ms.

Voltage to VWC Conversion

The circuit was evaluated using the Decagon Devices EC-5 moisture sensor that is factory calibrated and has the following conversion function:

$$VWC = (0.000992 \times mV - 0.45) \times 100 \tag{5}$$

where:

VWC is the volumetric water content of the soil in %.

mV is the sensor output in mV.

The conversion function for the Vegetronix VH400 moisture sensor is a piecewise linear approximation shown in Table 1.

Table 1. Piecewise Linear Transfer Function of Vegetronix VH400 Moisture Sensor

Voltage Range	Equation (V = Sensor Output in Volts)
0 V to 1.1 V	VWC = 10 × V – 1
1.1 V to 1.3 V	VWC = 25 × V – 17.5
1.3 V to 1.82 V	VWC = 48.08 × V – 47.5
1.82 V to 2.2 V	VWC = 26.32 × V – 7.89

Temperature Measurement

The temperature measurement circuit in Figure 2 is a 3-wire Pt100 resistance temperature detector (RTD) system based on the AD7124-8 24-bit, Σ-Δ ADC. The pH measurement can be compensated for temperature effects using the RTD temperature. The AD7124-8 has a programmable low drift excitation current sources from 50 μA to 1 mA. The ADC channels AIN11 and AIN12 are programmed for excitation currents of 500 μA. IOUT1 (AIN11) flows through the 5.11 kΩ reference resistor and the RTD. Since the same current flows through the RTD and the reference resistor, the measurement is ratiometric, and any errors due to variations in the excitation current are removed. IOUT2 (AIN12) flows into the RTD RL2 lead resistance and generates a voltage that cancels the voltage dropped across the RL1 lead resistance.

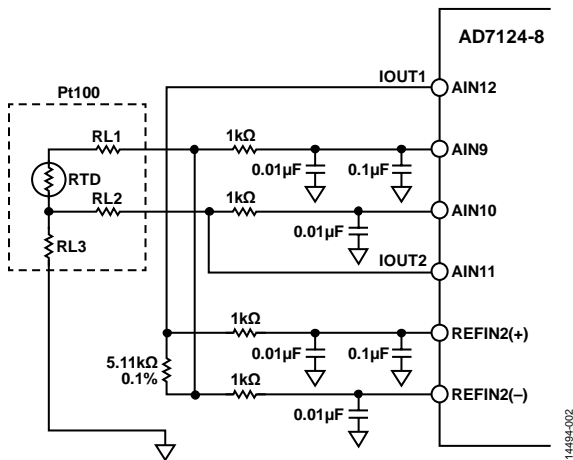


Figure 2. RTD-Based Temperature Measurement Circuit

Temperature compensation is usually needed in a pH because temperature greatly affects the sensitivity of the pH probe. The pH probe ideally produces 59.154 mV/pH at 25°C, but varies

depending on the actual temperature of the sample being measured.

The 4-wire RTD used for the cold junction requires its own linearization. The general expression to calculate the RTD resistance (R) where the ADC is operating in bipolar mode is given by

$$R_{RTD} = \frac{(CODE - 2^{N-1}) \times R_{REF}}{G \times 2^{N-1}} \tag{6}$$

where:

R_{RTD} is the resistance of the RTD.

CODE is the ADC code.

N is the resolution of the ADC, 24.

R_{REF} is the reference resistor.

G is the selected gain, 16.

The steps involved in converting the RTD resistance to a temperature and the linearization process are outlined in the [Circuit Note CN-0381](#).

Predicting System Noise Performance of pH Channel

For an output data rate of 25 SPS and a gain of 1, the rms noise of the AD7124-8 is 570 nV in the full power mode (noise is referred to input, taken from AD7124-8 data sheet). The peak-to-peak noise is therefore

$$Noise\ p-p = 6.6 \times rms\ noise = 6.6 \times 570\ nV = 3.76\ \mu V$$

Using r_{ss} to add the noise contributed by the ADA4661-2 (3 μV p-p), the total predicted system noise is 4.818 μV p-p.

If the pH meter has a sensitivity of 59 mV/pH, the pH meter therefore measures the pH level to a noise-free resolution of

$$4.818\ \mu V / (59\ mV/pH) = 0.0000816\ pH$$

The full-scale ADC input range is 6.6 V. Therefore, the predicted peak-to-peak resolution is

$$Noise\ Free\ Code\ Resolution = \log_2 \left(\frac{6.6\ V}{4.818\ \mu V} \right) = 20.38\ bits$$

Predicting System Noise Performance of Moisture Channel and Temperature Channel

The moisture sensor and the RTD connect directly to the ADC input, therefore the shorted input noise free code resolution is primarily determined by the AD7124-8 noise which is 570 nV rms that is equivalent to 3.76 uV p-p. The noise free code resolution is then calculated:

$$Noise\ Free\ Code\ Resolution = \log_2 \left(\frac{6.6\ V}{3.76\ \mu V} \right) = 20.75\ bits$$

Actual System Noise Performance

For the pH measurement, the actual system peak-to-peak noise and resolution was determined by shorting the input pH probe BNC connector and acquiring 1000 samples. As shown in the Figure 3 histogram, system peak-to-peak resolution is 18.2 bits

compared to the predicted value of 20.38 bits. Measurements were done at full power mode, 25 SPS, and the post filter was used.

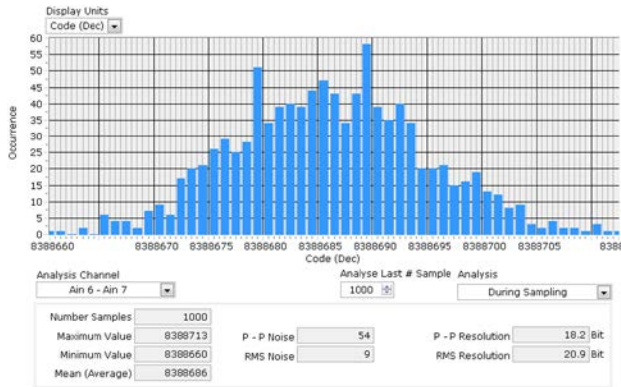


Figure 3. Shorted Input Histogram for pH Channel

For the moisture measurement, the actual system peak-to-peak noise and resolution was determined by shorting the input of the moisture sensor connector and acquiring 1000 samples. As shown in the Figure 4 histogram, system noise free code resolution is 21.2 bits. Measurements were done at full power mode, 25 SPS, and the post filter was used.

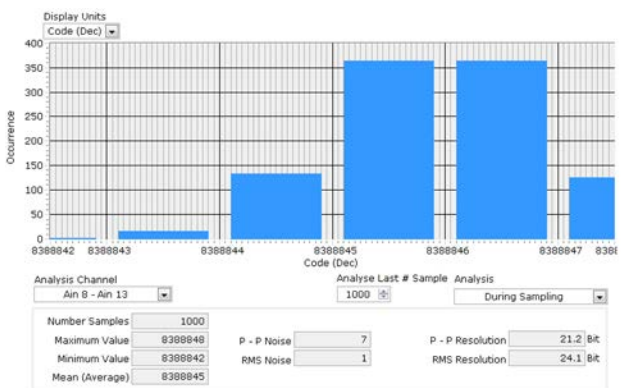


Figure 4. Shorted Input Histogram for Moisture Sensor Channel

Soil Moisture Test Repeatability Measurements

Table 2 and Table 3 show the data output of the moisture sensors when probing the same sample of some sandy soil. The Decagon EC-5 and Vegetronix VH400 and moisture sensors were used during the evaluation. The soil was probed seven times with each sensor and the average calculated. The results show a repeatability of better than 1% in the VWC measurement.

Table 2. Decagon EC-5 Moisture Sensor Output and VWC

Test	Output (mV)	VWC (%)
1	544.70	9.03
2	542.10	8.78
3	546.57	9.22
4	537.74	8.34
5	546.74	9.24
6	542.89	8.85
7	552.70	9.83
Average	544.78	9.04

Table 3. Vegetronix VH400 Moisture Sensor Output and VWC

Test	Output(V)	VWC (%)
1	1.04	9.39
2	0.93	8.28
3	1.01	9.07
4	1.04	9.42
5	1.03	9.30
6	0.99	8.86
7	1.06	9.63
Average	1.01	9.14

Soil Moisture Content Determination

VWC is defined as the volume of water per volume of bulk soil:

$$\theta = V_w/V_T$$

where:

θ is volumetric water content (cm^3/cm^3).

V_w is the volume of water (cm^3).

V_T is the total volume of bulk soil sample (cm^3).

The following empirical procedure can be used to determine the VWC of a soil sample independent of electronic measurements. A beaker and scale are required.

1. Obtain a soil sample
2. Weigh the beaker without soil
3. Put a known volume of moist soil into the beaker
4. Weigh the beaker with moist soil (grams)
5. Dry the soil using an oven for 24 hours at 110°C
6. Weigh the dried soil (grams)

The mass of the water removed from the soil is

$$m_W = m_{WET} - m_{DRY}$$

where:

m_W is the mass of the water in the soil.

m_{WET} is the mass of the moist soil.

m_{DRY} is the mass of the dry soil.

Because water density is 1 g/cm^3 , the mass of the water is equal to the volume. This value is used in the determination of the VWC.

This procedure is described in complete detail in the Decagon Devices Application Note, *Calibrating ECH2O Soil Moisture Sensors*.

Table 4 shows the calculation of VWC based on adding known volumes of water to a sample of sandy soil that had previously been dried in an oven.

The Decagon EC-5 and Vegetronix VH400 sensors were used to measure the VWC at each of the five water concentration levels. The factory recommended equations were used to convert the voltage output of each of the sensors to VWC as shown in the tables.

Figure 5 shows the VWC response of the EC-5 moisture sensor (Table 5) compared to the value calculated based on the actual water volume (Table 4). Note that the worst case error is approximately 3%.

Table 4. Calculated VWC Using Known Volumes of Soil and Water

Dried Soil Volume (cm ³)	Water Volume (cm ³)	Calculated VWC (%)
187.136	18.672	9.98
187.136	31.531	16.85
187.136	46.789	25.00
187.136	58.8	31.42
187.136	71.089	37.99

Table 5. Measured VWC Using Decagon EC-5 Sensor

Dried Soil Volume (cm ³)	Water Volume (cm ³)	Sensor Output (mV)	Output Converted to VWC (%)
187.136	18.672	548	9.3616
187.136	31.531	593	13.8256
187.136	46.789	677	22.1584
187.136	58.8	779	32.2768
187.136	71.089	849	39.2208

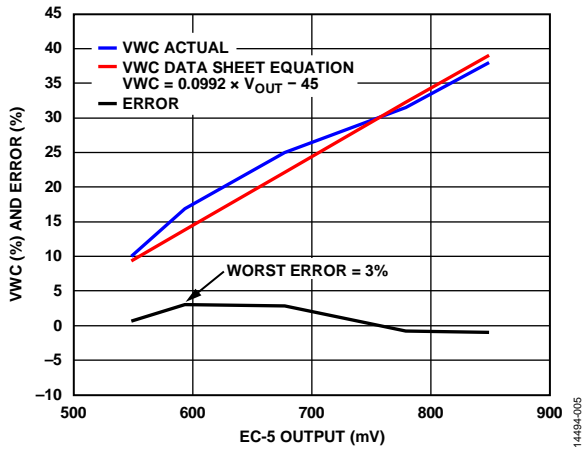


Figure 5. Actual vs. Measured VWC for Decagon EC-5 Sensor Using Data Sheet Equation

Soil-specific calibration may improve the accuracy of the moisture sensor. Different sensors are typically calibrated with a specific soil, but due to variations in soil bulk density, mineralogy, texture, and salinity, accuracy may vary.

The sensor data sheet generally gives recommended equations for converting the sensor output into VWC. However, the accuracy can sometimes be improved by generating an equation that more accurately fits the VWC data points taken from the actual soil under test. Before developing a soil-specific equation based on actual VWC measurements for a particular sensor, first calculate the errors obtained by using the recommended equations in the sensor data sheet. If the errors are 2% or less over the desired range for the soil selected, then there is no reason to develop a soil-specific equation. If the error is greater than several percentage points, then a soil-specific equation based on a least-squares fit straight line may lower the error. In some cases a polynomial function may be required to obtain the desired accuracy, depending on the transfer function of the specific sensor.

In the case of the Decagon EC-5 sensor, a soil-specific straight line fit shown in Figure 6 using the least squares method gave good results and reduced the maximum error from 3% to 1.8%.

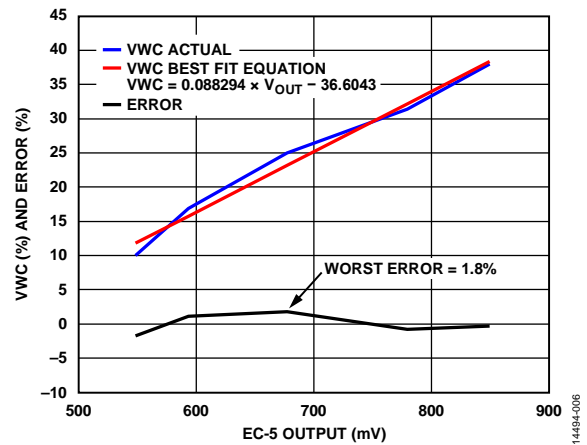


Figure 6. Actual vs. Measured VWC for Decagon EC-5 Sensor Using Soil-Specific Best Fit Equation

Table 6 shows the measured VWC using the Vegetronix VH400 moisture sensor. The data in Table 6 and Table 4 is plotted in Figure 7.

Table 6. Measured VWC Using Vegetronix VH400 Sensor

Dried Soil Volume (cm ³)	Water Volume (cm ³)	Sensor Output (V)	Output Converted to VWC (%)
187.136	18.672	1.046	9.46
187.136	31.531	1.362	16.55
187.136	46.789	1.474	23.36992
187.136	58.8	1.673	32.93784
187.136	71.089	1.73	35.6784

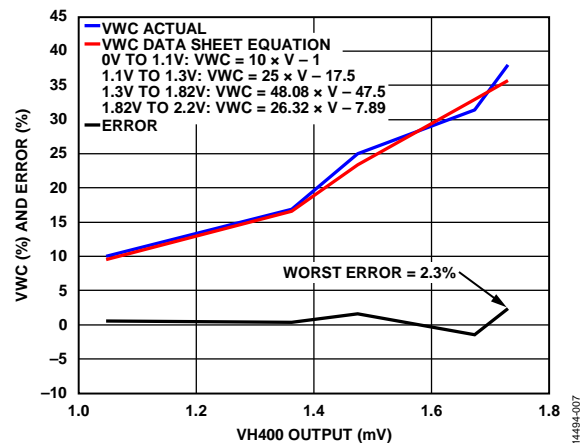


Figure 7. Actual vs. Measured VWC for Vegetronix VH400 Sensor Using Data Sheet Equations

Figure 7 shows an error of only 2.3% using the data sheet equations; therefore, no soil-specific equation was required for the soil under test with the VH400 sensor.

A complete set of documentation for the EVAL-CN0398-ARDZ board including schematics, layouts, and bill of materials is available in the CN-0398 Design Support package at www.analog.com/CN0398-DesignSupport.

COMMON VARIATIONS

Other suitable ADCs for this circuit are the [AD7794](#) and [AD7795](#). Both devices have the same feature set as the [AD7124-8](#). However, the [AD7794](#) is a 6-channel, 24-bit ADC, while the [AD7795](#) is a 6-channel, 16-bit ADC.

The [AD8615](#) buffer amplifier is available in a 5-lead TSOT package. It is a precision, 20 MHz, CMOS, rail-to-rail input/output op amp with a typical input bias current of 0.2 pA and a low offset voltage of 80 μ V (typical).

The [ADR4533](#) ultralow noise, high accuracy voltage reference is also suitable to provide a 3.3 V reference.

The [ADP7112](#) is a CMOS LDO linear regulator and has the same basic features as the [ADP7118](#) but is available in a WLCSP package.

CIRCUIT EVALUATION AND TEST

This circuit uses the [EVAL-CN0398-ARDZ](#) shield circuit board, an optional external power supply, PC with serial port terminal program, and the [EVAL-ADICUP360](#) Arduino-compatible platform board. A user guide for the platform board is available on the product page, at www.analog.com/EVAL-ADICUP360. A user guide for the [EVAL-CN0398-ARDZ](#) board and software is available at www.analog.com/CN0398-UserGuide.

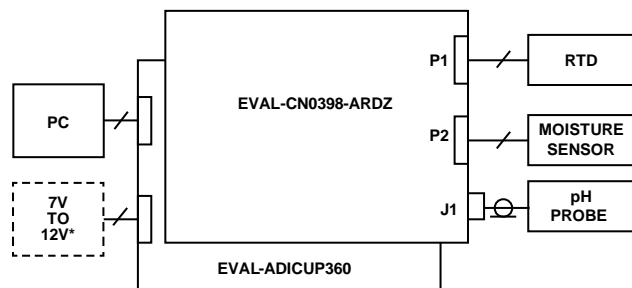
Equipment Required

The following equipment is needed:

- [EVAL-CN0398-ARDZ](#) circuit board.
- [EVAL-ADICUP360](#) Arduino-compatible platform loaded with [CN-0398](#) firmware.
- PC with a USB port and 64-bit Linux distribution OS kernel v4.2.0-amd 64 or later, with the terminal program
- 7 V to 12 V/1 A dc power supply, or equivalent 7 V to 12 V/1 A bench supply (not required unless using a 5 V moisture sensor)
- Soil
- Beaker
- Drying oven
- Weighing scale
- VH400 moisture sensor
- EC-5 moisture sensor

Test Setup Functional Block Diagram

Figure 8 shows a functional diagram of the test setup.



*7V TO 12V SUPPLY NOT REQUIRED UNLESS USING A 5V MOISTURE SENSOR

Figure 8. Test Setup Functional Block Diagram

Setup

Take the following step for circuit evaluation:

1. Plug the [EVAL-CN0398-ARDZ](#) shield board into the [EVAL-ADICUP360](#) platform board.
2. Connect the sensors to the [EVAL-CN0398-ARDZ](#) board.
3. Following the instructions in the [EVAL-ADICUP360](#) user guide, connect the [EVAL-ADICUP360](#) virtual COM USB port to the PC.
4. If using a 5 V moisture sensor, power up the [EVAL-ADICUP360](#) with a 7 V to 12 V/1 A dc power supply. Otherwise, the [EVAL-ADICUP360](#) is powered directly from the USB port.
5. Set up the terminal software using the 115,200 Hz baud rate and the correct the virtual COM port.
6. If the system does not have the correct baud rate setting, set the default value by pressing the RESET button on the [EVAL-ADICUP360](#) board.
7. Run the software, and the software continuously displays the output of the sensors for pH, temperature, and moisture content.

Details of the operation of the hardware and software can be found in the [CN-0398 User Guide](#) at www.analog.com/CN0398-UserGuide. The [CN-0398 User Guide](#) also contains details of how the software can be modified to accommodate soil-specific calibration using straight line or polynomial equations.

Figure 9 shows a photograph of the [EVAL-CN0398-ARDZ](#) Arduino shield board.



Figure 9. [EVAL-CN0398-ARDZ](#) Shield Board

Figure 10 shows a photograph of the sample test setup of soil moisture measurement using the EC-5 moisture sensor.

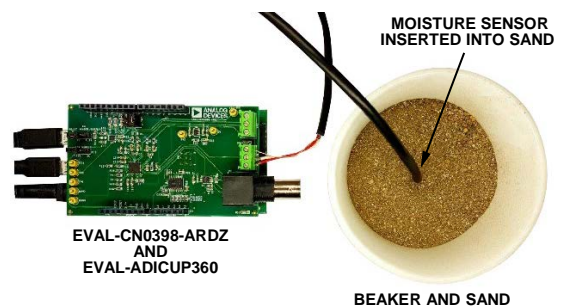


Figure 10. EC-5 Sensor Moisture Measurement on Sandy Soil

LEARN MORE

CN-0398 Design Support Package:

www.analog.com/CN0398-DesignSupport

[ADICUP360 User Guide](#)

Circuit Note CN-0326. *Isolated Low Power pH Monitor with Temperature Compensation*. Analog Devices.

Circuit Note CN-0383. *Completely Integrated 3-Wire RTD Measurement System Using a Low Power, Precision, 24-Bit Sigma-Delta ADC*. Analog Devices.

Decagon EC-5 Soil Moisture Sensor. Decagon Devices, Inc.
2365 NE Hopkins Court, Pullman, WA 99163.

Application Note. *Calibrating ECH2O Soil Moisture Sensors*.
Decagon Devices.

Vegetronix VH400 Soil Moisture Sensor. Vegetronix, Inc. PO
Box 583, Riverton, UT 84065.

Data Sheets and Evaluation Boards

[CN-0398 Circuit Evaluation Board \(EVAL-CN0398-ARDZ\)](#)

[Arduino-Compatible Platform Board \(EVAL-ADICUP360\)](#)

[AD7124-8 Data Sheet](#)

[ADA4661-2 Data Sheet](#)

[ADP2118-2.5 Data Sheet](#)

[ADR3433 Data Sheet](#)

REVISION HISTORY

10/2016—Revision 0: Initial Version

(Continued from first page) Circuits from the Lab reference designs are intended only for use with Analog Devices products and are the intellectual property of Analog Devices or its licensors. While you may use the Circuits from the Lab reference designs in the design of your product, no other license is granted by implication or otherwise under any patents or other intellectual property by application or use of the Circuits from the Lab reference designs. Information furnished by Analog Devices is believed to be accurate and reliable. However, Circuits from the Lab reference designs are supplied "as is" and without warranties of any kind, express, implied, or statutory including, but not limited to, any implied warranty of merchantability, noninfringement or fitness for a particular purpose and no responsibility is assumed by Analog Devices for their use, nor for any infringements of patents or other rights of third parties that may result from their use. Analog Devices reserves the right to change any Circuits from the Lab reference designs at any time without notice but is under no obligation to do so.

©2016 Analog Devices, Inc. All rights reserved. Trademarks and registered trademarks are the property of their respective owners.
CN14494-0-10/16(0)



Looking for pricing, stock, or lifecycle information?

Click below to explore more details on WIN SOURCE:

- ⊖ [View EVAL-CN0398-ARDZ on WIN SOURCE](#)
- ⊖ [Analog Devices Inc. Information](#)

Optimize Your Supply Chain with WIN SOURCE Solutions

- ✓ Global Sourcing Solution
- ✓ Obsolete Management
- ✓ Cost Control Management
- ✓ Shortage Management
- ✓ Alternative Solution
- ✓ Excess Inventory Management