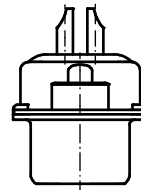
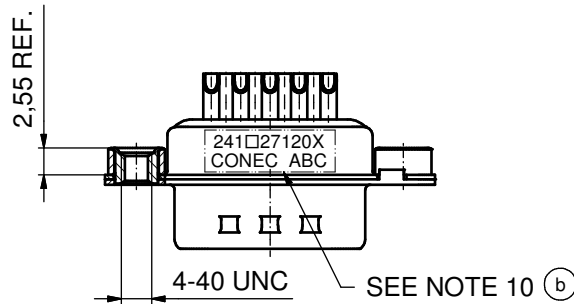
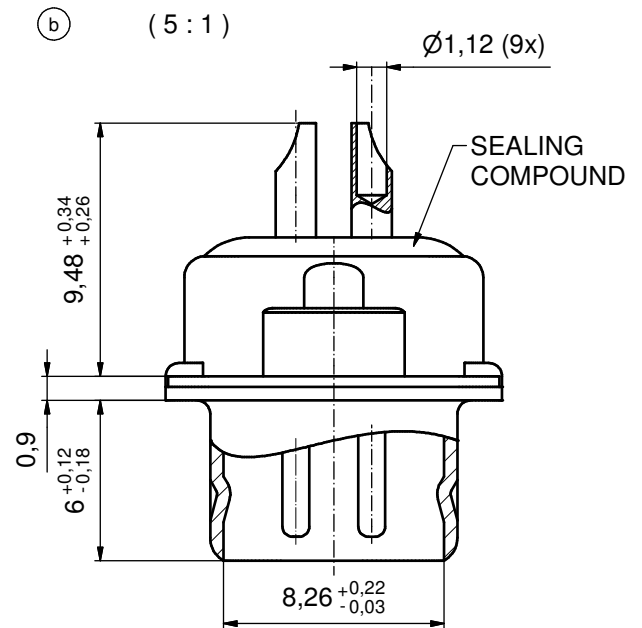
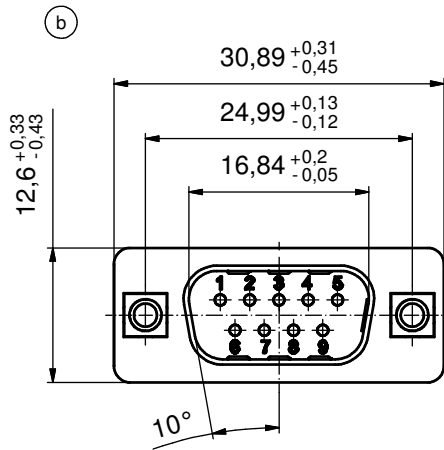




**THE DATASHEET OF  
241A27120X**

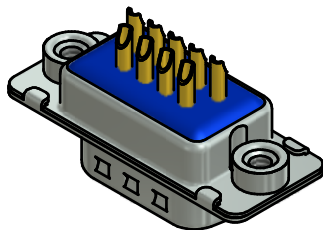




(b)

NOTES:

1. METALSHELLS: STEEL; min. 315µm TIN over 40-80µm NICKEL
2. INSULATOR: HIGH TEMPERATURE PLASTIC UL 94 V-0; BLACK
3. CONTACTS: COPPER ALLOY  
PLATING (SEE PART NO.)  
□ PLEASE ADD C for 30µm HARD GOLD over min. 50µm NICKEL  
□ PLEASE ADD B for 20µm HARD GOLD over min. 50µm NICKEL  
□ PLEASE ADD A for GOLD FLASH over NICKEL ( PREFERRED TYPE )  
SOLDER CUP ACCEPTS CABLE AWG 20
4. THREADED INSERTS: COPPER ALLOY; min. 200µm TIN over 80µm NICKEL
5. COLLARS: COPPER ALLOY; min. 200µm TIN over 80µm NICKEL
6. SEALING COMPOUND: PUR; BLUE
7. CAPACITANCE: 1300pF ±20%
8. DIELECTRIC WITHSTANDING VOLTAGE: 424 VDC
9. MAXIMUM TORQUE VALUE FOR THREAD: 6 in.LB
10. CONNECTOR IS PART MARKED: 241□27120X CONEC ABC (see note 4)



Directive 2002/95/EC RoHS compliant

THIS DRAWING MAY NOT BE COPIED OR REPRODUCED IN ANY WAY, AND MAY NOT BE PASSED ON TO A THIRD PARTY WITHOUT WRITTEN PERMISSION. OWNERSHIP AND COPYRIGHT OF CONEC GmbH				tolerance		dim. in mm	scale: 2:1 (5:1)	
				date			material: SEE NOTES	
DO NOT ALTER CAD DRAWING BY HAND				drawn	06.02.06	Lehmenkühler	title: <b>D-SUB FILTER MALE</b> 9pos. SOLDER CUP with threaded insert	
				appd.	06.06.06	Mickenbecker		
5 x b A4859 31.07.2013 K.H.				norm				
				d-old				
a Original				<b>CONEC</b> ®		dwg no: 24K1A760		DIN-A3
rev. description date name						part no: (b) 241□27120X (see note 4)		sh: 1

## Looking for pricing, stock, or lifecycle information?

Click below to explore more details on WIN SOURCE:

 [View 241A27120X on WIN SOURCE](#)

 [Conec Information](#)

## Optimize Your Supply Chain with WIN SOURCE Solutions

-  Global Sourcing Solution
-  Obsolete Management
-  Cost Control Management
-  Shortage Management
-  Alternative Solution
-  Excess Inventory Management