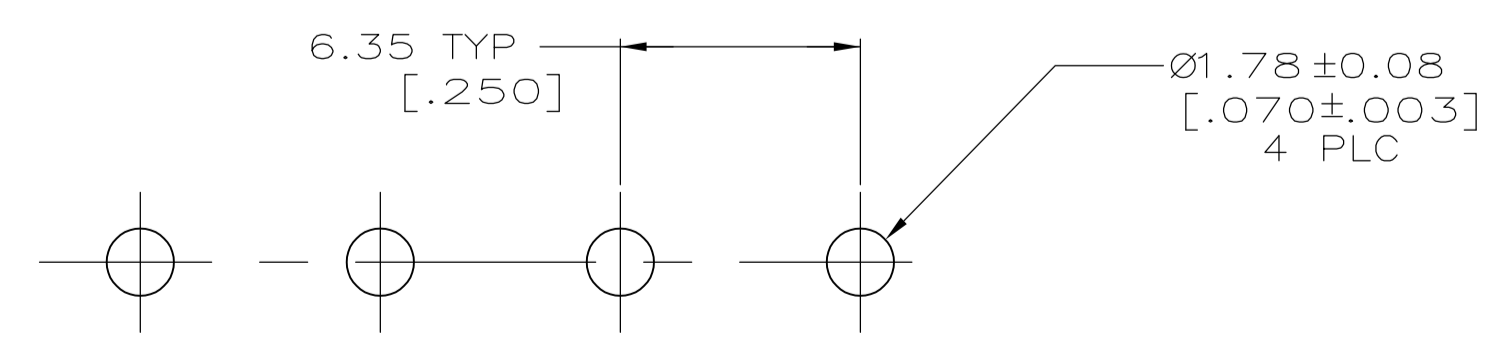
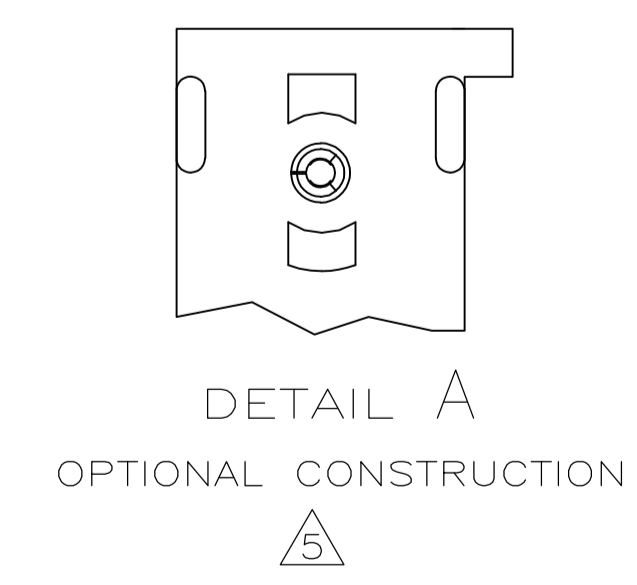
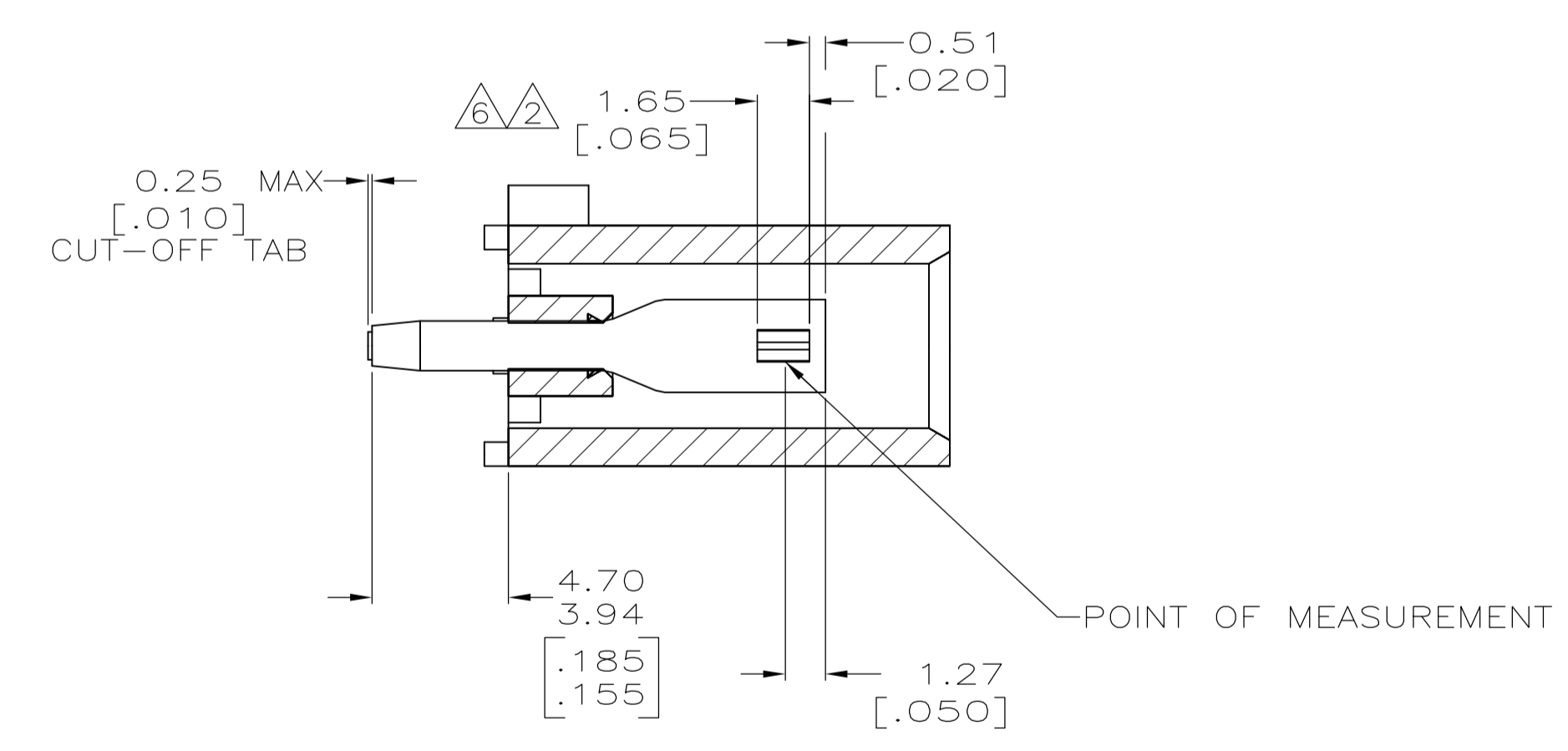
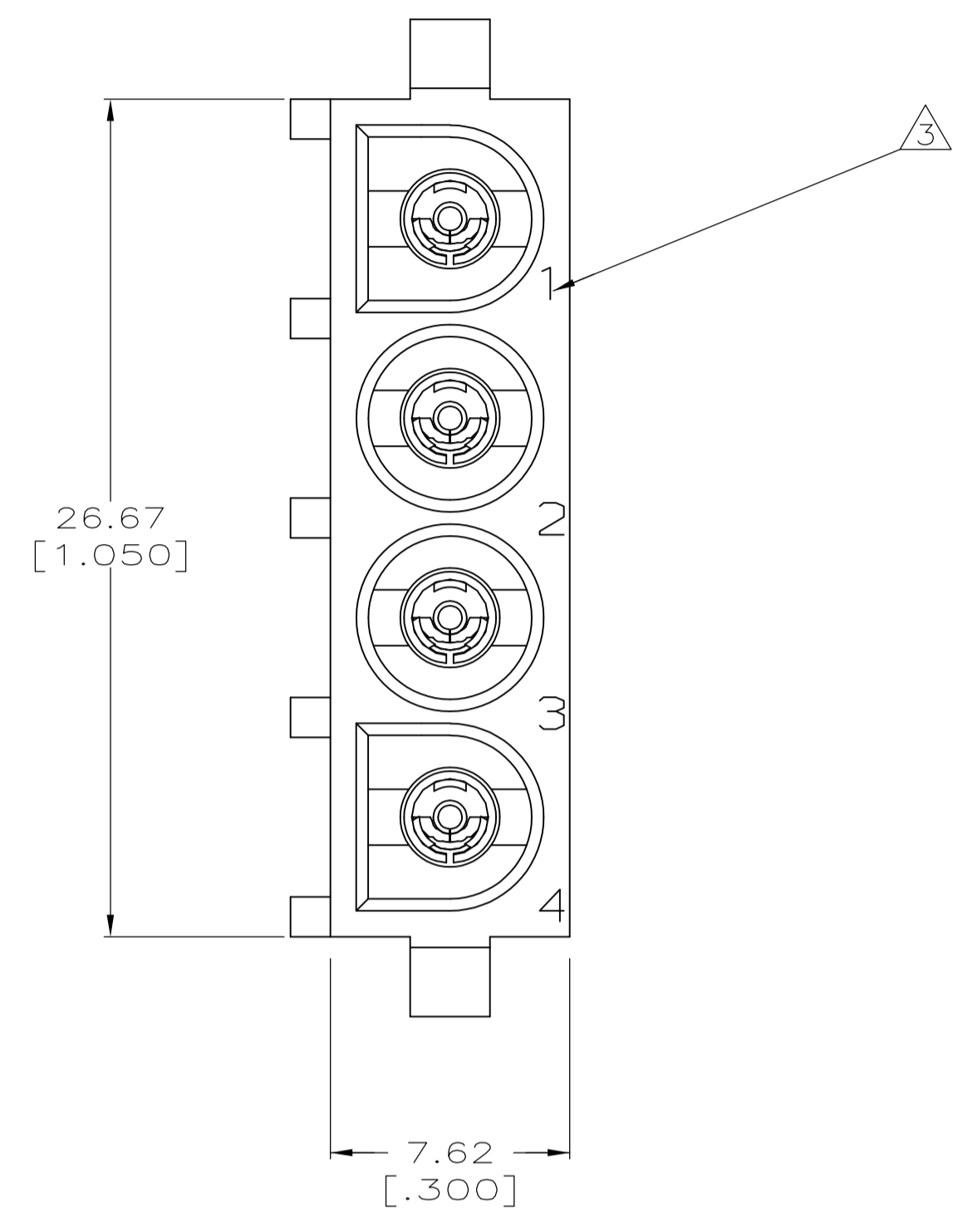
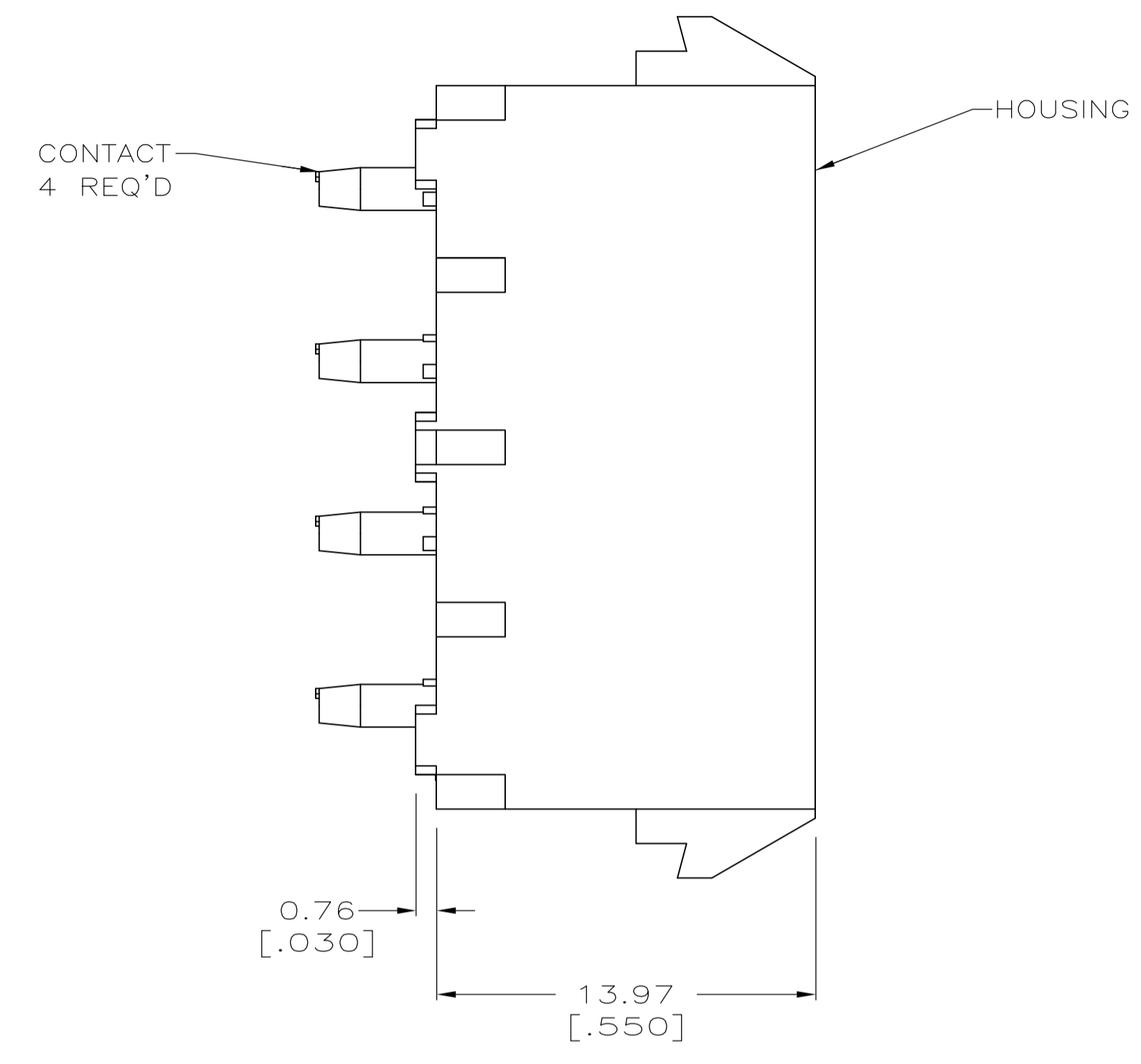
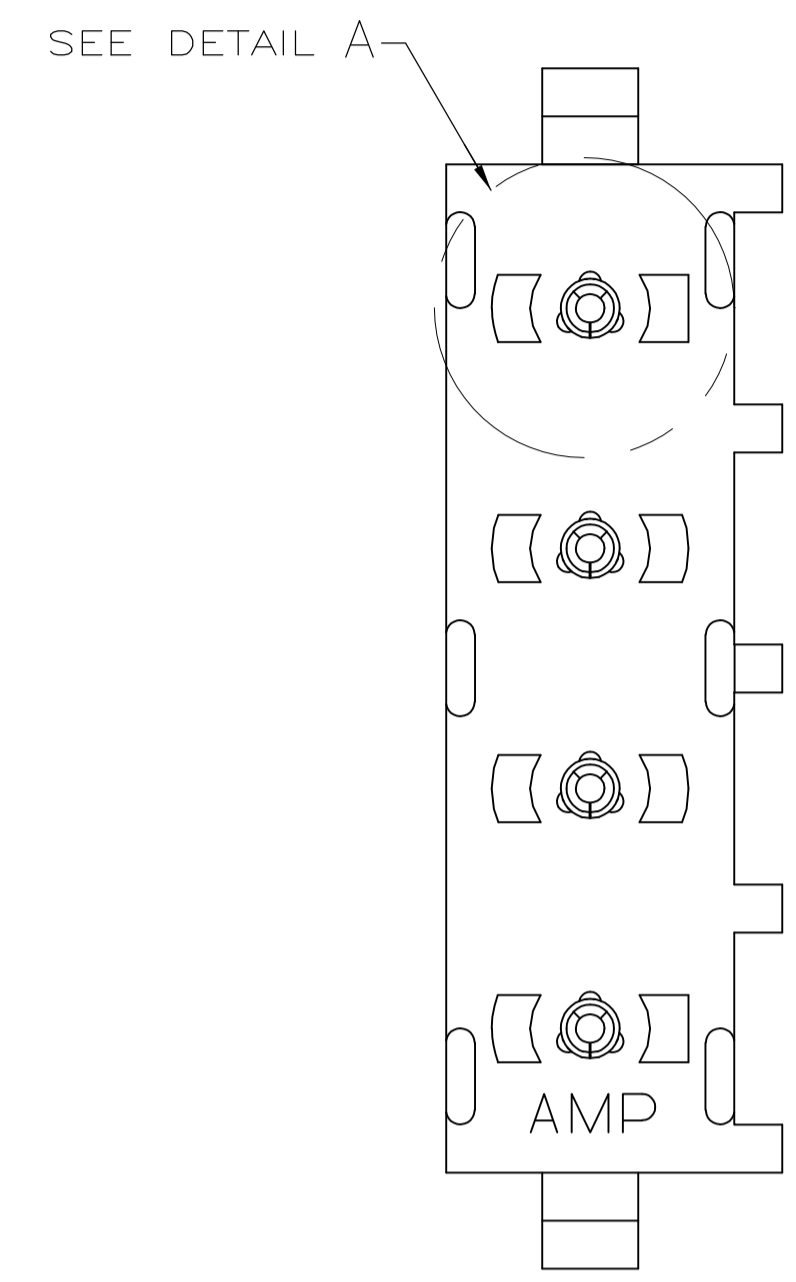
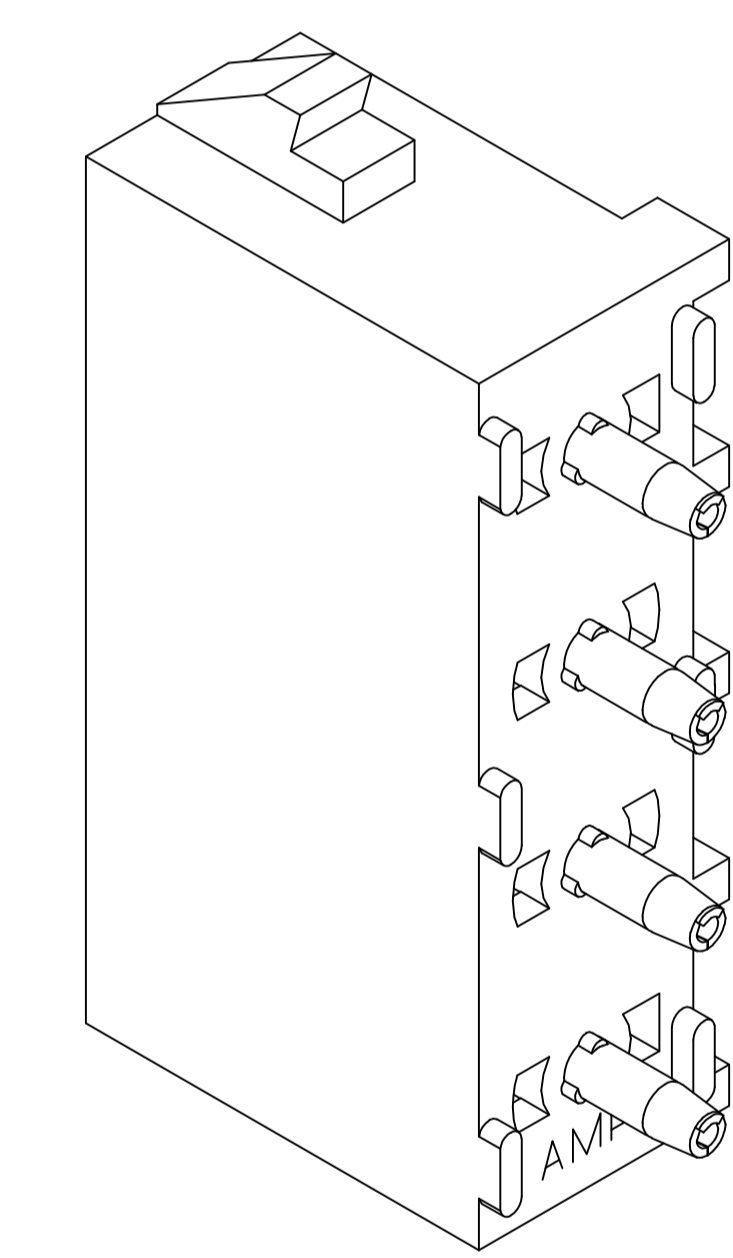


LOC		DIST		REVISIONS			
P	LTR	DESCRIPTION	DATE	DNW	APVD		
N2		REVISED PER ECR-12-011660	23JAN13	KH	TM		



- 1 PARTS COMPLY TO AMP SOLDERABILITY SPECIFICATION 109-11-3.
- 2 CONTACT IS PLATED OVERALL WITH 0.00127 [.000050] NICKEL, THEN 0.00076 [.000030] GOLD OVER CONTACT LENGTH INDICATED AND MATTE TIN LEAD ON SOLDER TAIL END.
- 3 CIRCUIT IDENTIFICATION CHARACTERS ARE ADJACENT TO THE INDICATED CAVITIES, BUT LOCATION AND ORIENTATION MAY DIFFER FROM PRINT.
- 4 DIMENSIONS IN BRACKETS ARE IN INCHES.
- 5 DRAIN HOLES LOCATED AS SHOWN. OPTIONAL CONSTRUCTION - ALL DRAIN HOLES LOCATED 90° AS SHOWN IN DETAIL A.
- 6 CONTACT IS PLATED OVERALL WITH 0.00127 [.000050] NICKEL, THEN 0.00076 [.000030] GOLD OVER CONTACT LENGTH INDICATED AND MATTE TIN ON SOLDER TAIL END.
- 7 SUPERSEDED BY 350761-5



CONTACT MATERIAL AND FINISH	HOUSING MATERIAL	PART NUMBER
PHOSPHOR BRONZE, GOLD 6	NYLON,UL94V-2,NATURAL	350761-5
PHOSPHOR BRONZE, PRE-TIN	NYLON,UL94V-2,NATURAL	350761-4
PHOSPHOR BRONZE, GOLD 2	NYLON,UL94V-2,NATURAL	350761-3

THIS DRAWING IS A CONTROLLED DOCUMENT.		DIN R LEWIS 10-02-98	TE Connectivity	
DIMENSIONS: mm [INCHES]		CHK R SWING 10-02-98		
TOLERANCES UNLESS OTHERWISE SPECIFIED:		APVD M TRULL 10-02-98	NAME: SOCKET HEADER ASSEMBLY, 4 CIRCUIT UNIVERSAL MATE-N-LOK™	
0 PLC ± -	1 PLC ± -	APPLICATION SPEC	SIZE: A1	CAGE CODE: 00779
2 PLC ± 0.13 [.005]	3 PLC ± -	WEIGHT: -	DRAWING NO: 350761	RESTRICTED TO: -
4 PLC ± -	ANGLES ± ± 0°30'	CUSTOMER DRAWING	SCALE: 5:1	SHEET: 1 OF 1

Looking for pricing, stock, or lifecycle information?

Click below to explore more details on WIN SOURCE:

 [View 350761-4 on WIN SOURCE](#)

 [TE Connectivity](#) Information

Optimize Your Supply Chain with WIN SOURCE Solutions

-  Global Sourcing Solution
-  Obsolete Management
-  Cost Control Management
-  Shortage Management
-  Alternative Solution
-  Excess Inventory Management