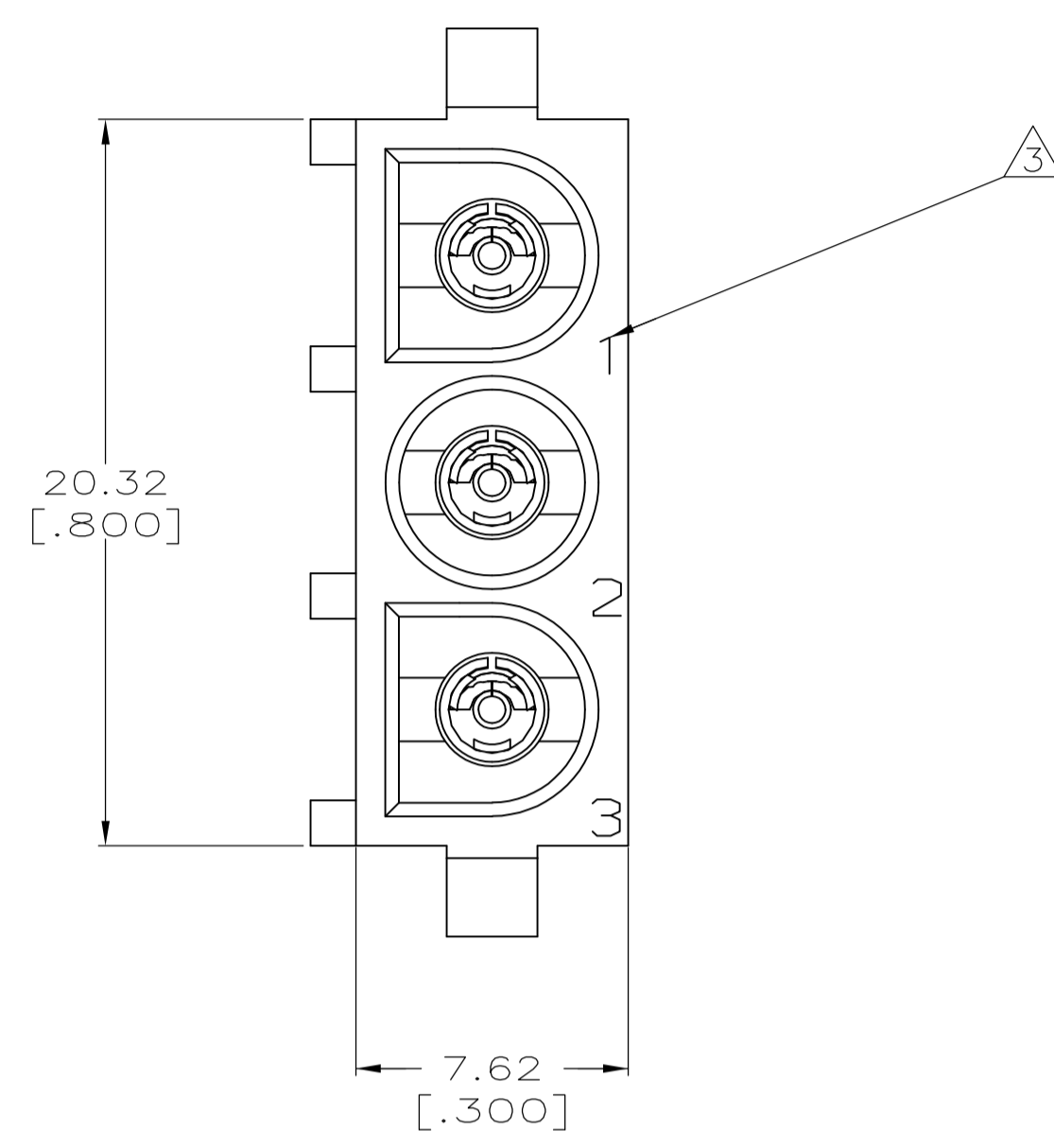
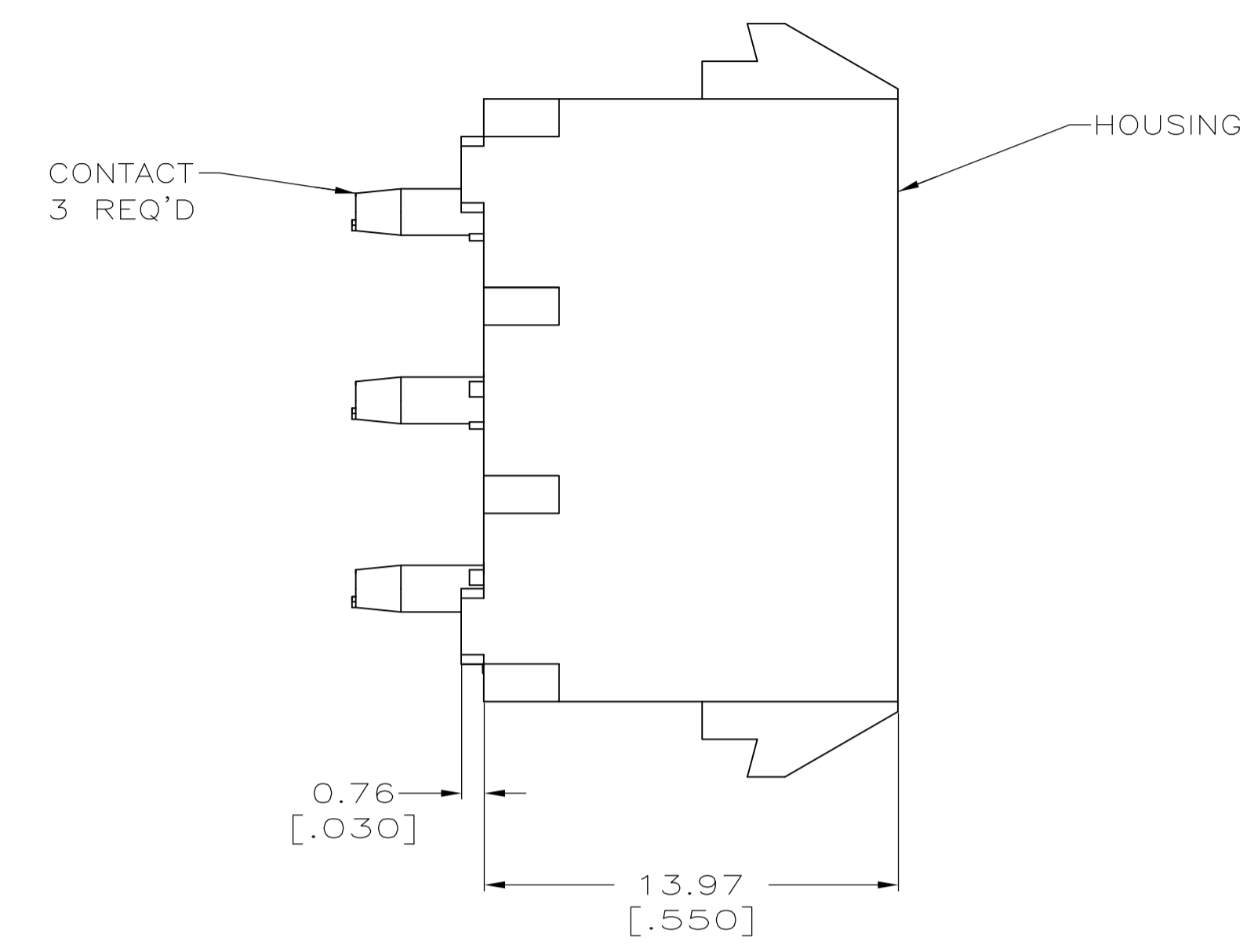
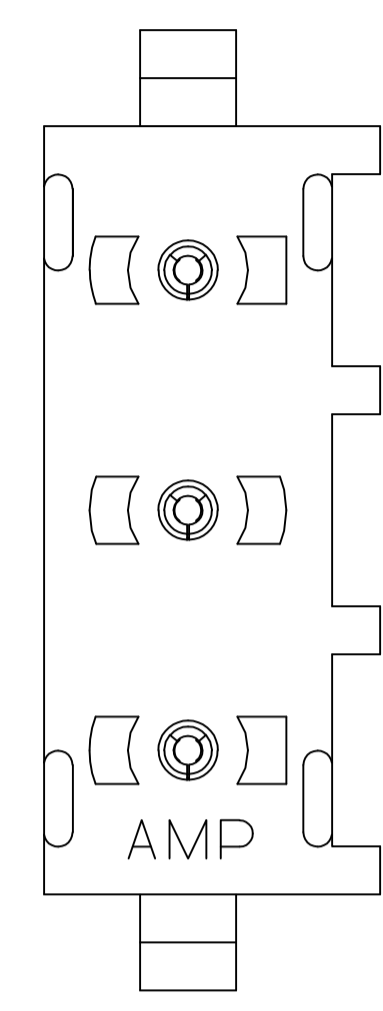
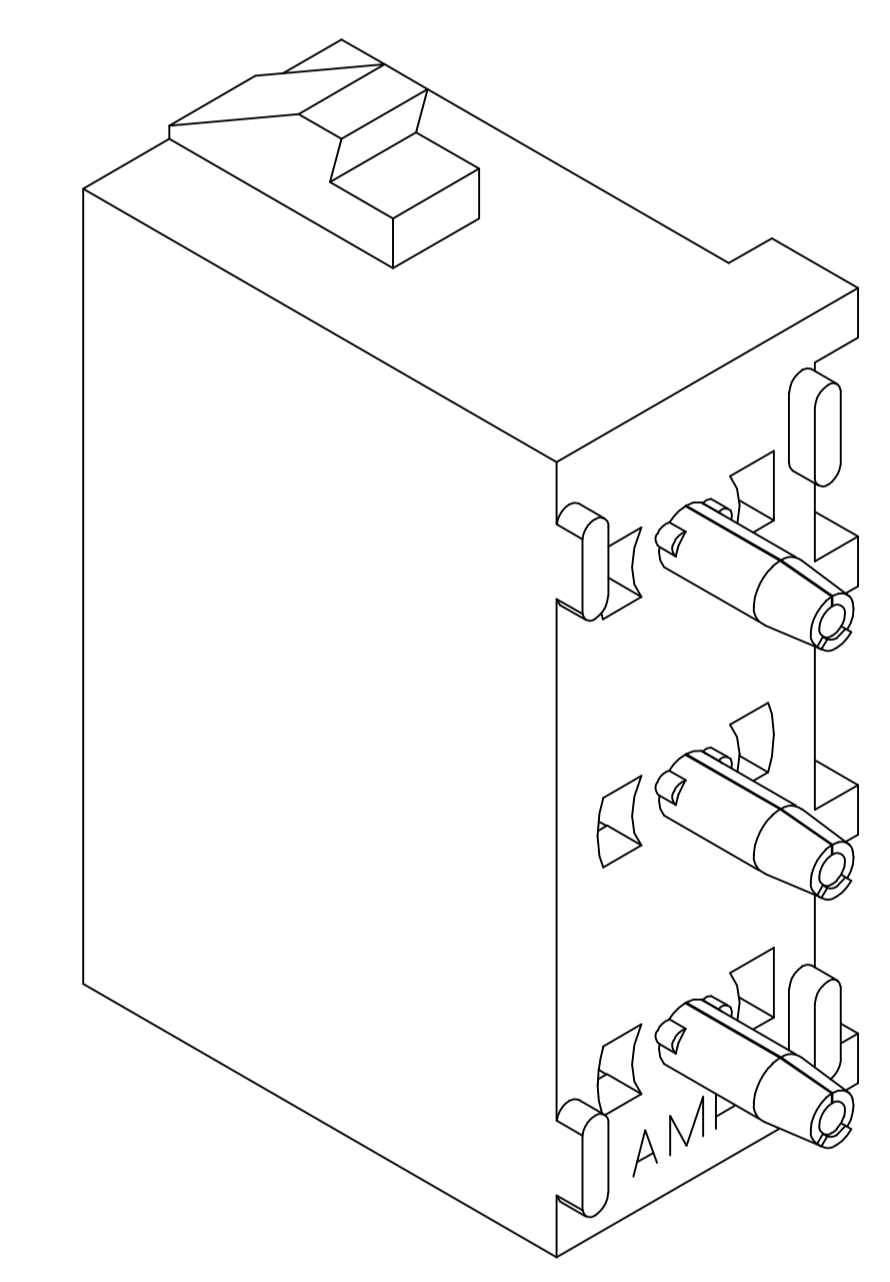
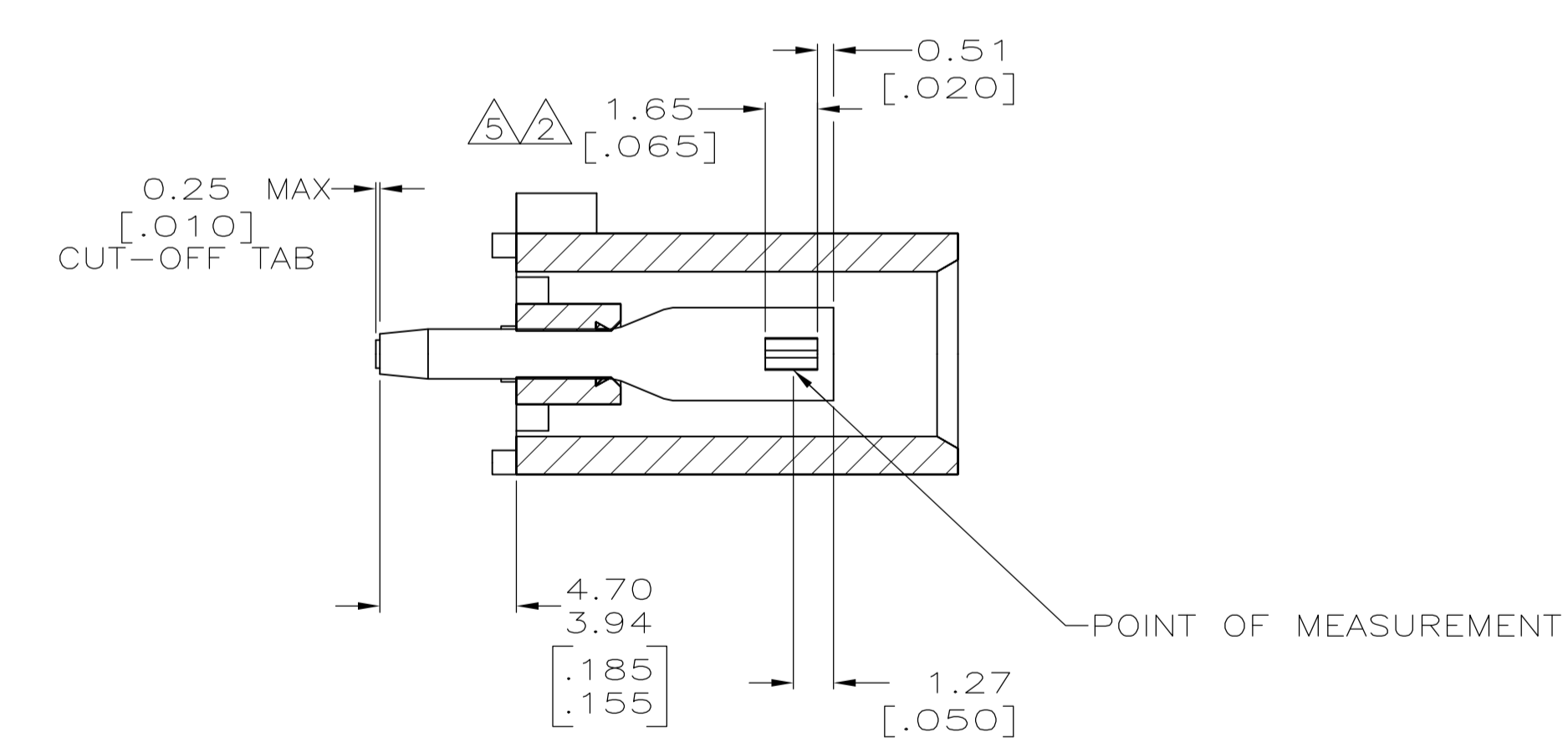


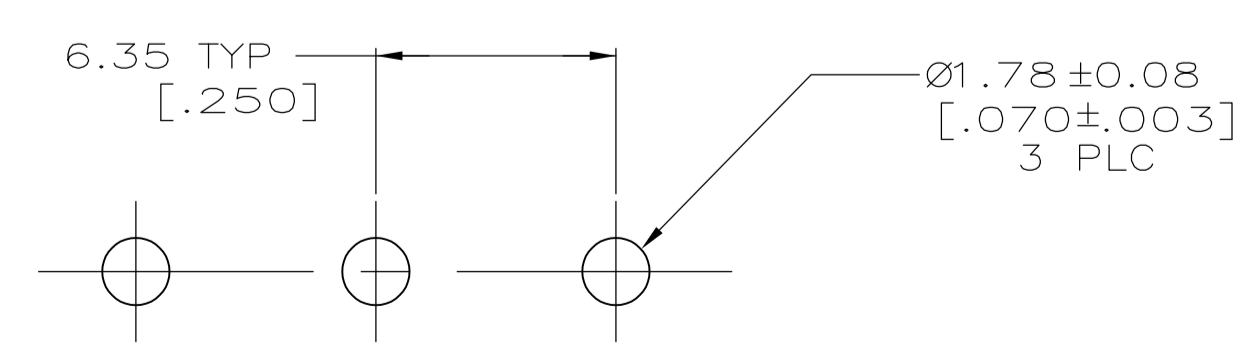
| LOC | | DIST | | REVISIONS | | | |
|-----|---------------------------|------|---------|-----------|-----|------|--|
| CM | 00 | REV | DATE | BY | CHK | APPV | |
| T2 | REVISED PER ECR-12-011660 | | 23JAN13 | KH | | TM | |



- 1 PARTS COMPLY TO AMP SOLDERABILITY SPECIFICATION 109-11-3.
- 2 CONTACT IS PLATED OVERALL WITH 0.00127 [.000050] NICKEL, THEN 0.00076 [.000030] GOLD OVER CONTACT LENGTH INDICATED AND MATTE TIN LEAD ON SOLDER TAIL END.
- 3 CIRCUIT IDENTIFICATION CHARACTERS ARE ADJACENT TO THE INDICATED CAVITIES, BUT LOCATION AND ORIENTATION MAY DIFFER FROM PRINT.
- 4 DIMENSIONS IN BRACKETS ARE IN INCHES.
- 5 CONTACT IS PLATED OVERALL WITH 0.00127 [.000050] NICKEL, THEN 0.00076 [.000030] GOLD OVER CONTACT LENGTH INDICATED AND MATTE TIN ON SOLDER TAIL END.
- 6 SUPERSEDED BY 350760-5



3-DIMENSIONAL MODEL NTS




RECOMMENDED MOUNTING HOLE PATTERN FOR 1.57 [.062] THICK P.C. BOARD

| | | |
|-----------------------------|-------------------------|-------------|
| PHOSPHOR BRONZE, GOLD | NYLON, UL94V-2, NATURAL | 350760-5 |
| PHOSPHOR BRONZE, PRE-TIN | NYLON, UL94V-2, NATURAL | 350760-4 |
| PHOSPHOR BRONZE, GOLD | NYLON, UL94V-2, NATURAL | 350760-3 |
| CONTACT MATERIAL AND FINISH | HOUSING MATERIAL | PART NUMBER |

| | | | |
|--|------------------|---|---|
| THIS DRAWING IS A CONTROLLED DOCUMENT. | | DIN R LEWIS 8-19-98 | TE Connectivity |
| DIMENSIONS: mm [INCHES] | | CHK R SWING 8-19-98 | |
| TOLERANCES UNLESS OTHERWISE SPECIFIED: | | APPV M TRULL 8-19-98 | NAME |
| 0 PLC ± - | | | SOCKET HEADER ASSEMBLY, 3 CIRCUIT UNIVERSAL MATE-N-LOK™ |
| 1 PLC ± - | | | APPLICATION SPEC |
| 2 PLC ± 0.13 [.005] | | | SIZE CASE CODE DRAWING NO |
| 3 PLC ± - | | | RESTRICTED TO |
| 4 PLC ± - | | | WEIGHT |
| ANGLES ± ± 0°30' | | | SCALE 5:1 SHEET 1 OF 1 REV T2 |
| MATERIAL SEE TABLE | FINISH SEE TABLE | APPV M TRULL 8-19-98 | CUSTOMER DRAWING |
| | | SIZE CASE CODE DRAWING NO | SCALE 5:1 SHEET 1 OF 1 REV T2 |
| | | WEIGHT | RESTRICTED TO |
| | | APPV M TRULL 8-19-98 | |
| | | NAME | |
| | | SOCKET HEADER ASSEMBLY, 3 CIRCUIT UNIVERSAL MATE-N-LOK™ | |
| | | APPLICATION SPEC | |
| | | SIZE CASE CODE DRAWING NO | |
| | | RESTRICTED TO | |
| | | WEIGHT | |
| | | SCALE 5:1 SHEET 1 OF 1 REV T2 | |

Looking for pricing, stock, or lifecycle information?

Click below to explore more details on WIN SOURCE:

 [View 350760-4 on WIN SOURCE](#)

 [TE Connectivity](#) Information

Optimize Your Supply Chain with WIN SOURCE Solutions

-  Global Sourcing Solution
-  Obsolete Management
-  Cost Control Management
-  Shortage Management
-  Alternative Solution
-  Excess Inventory Management