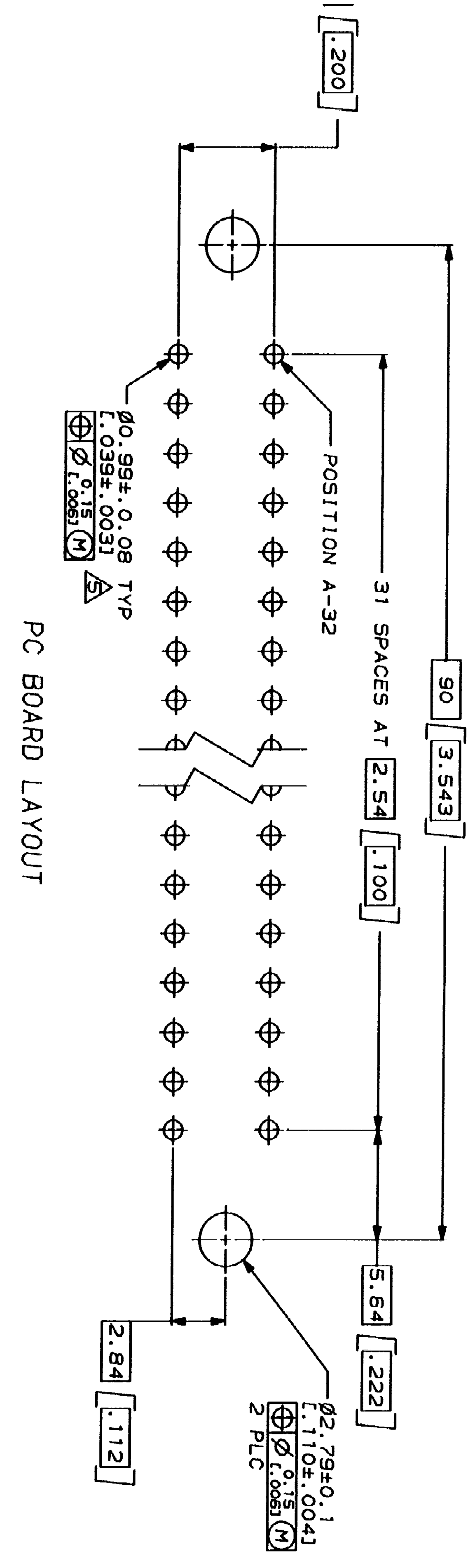
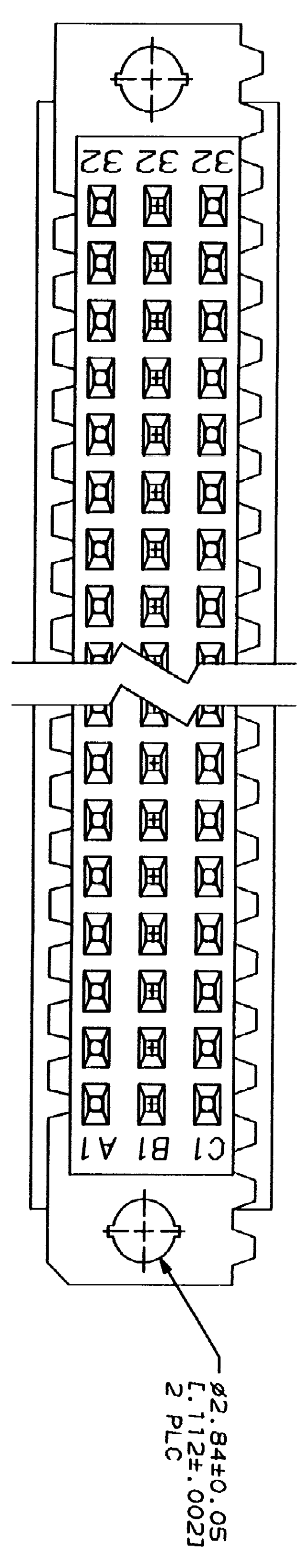
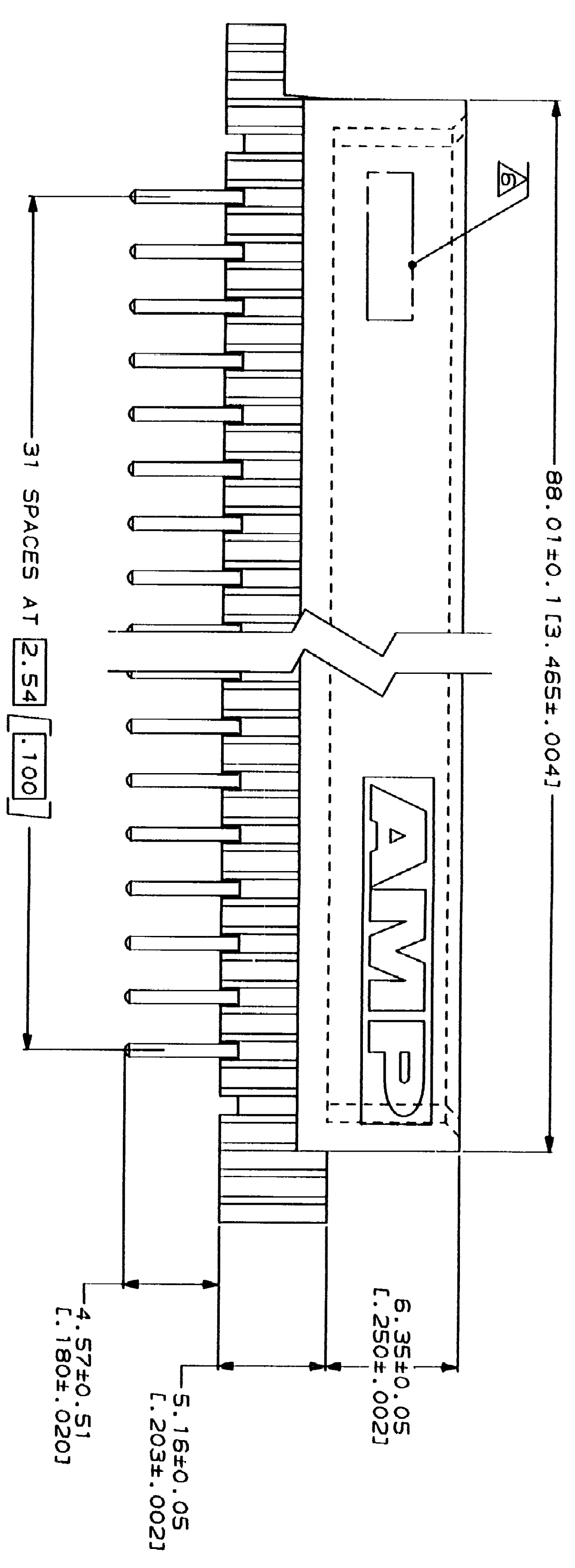
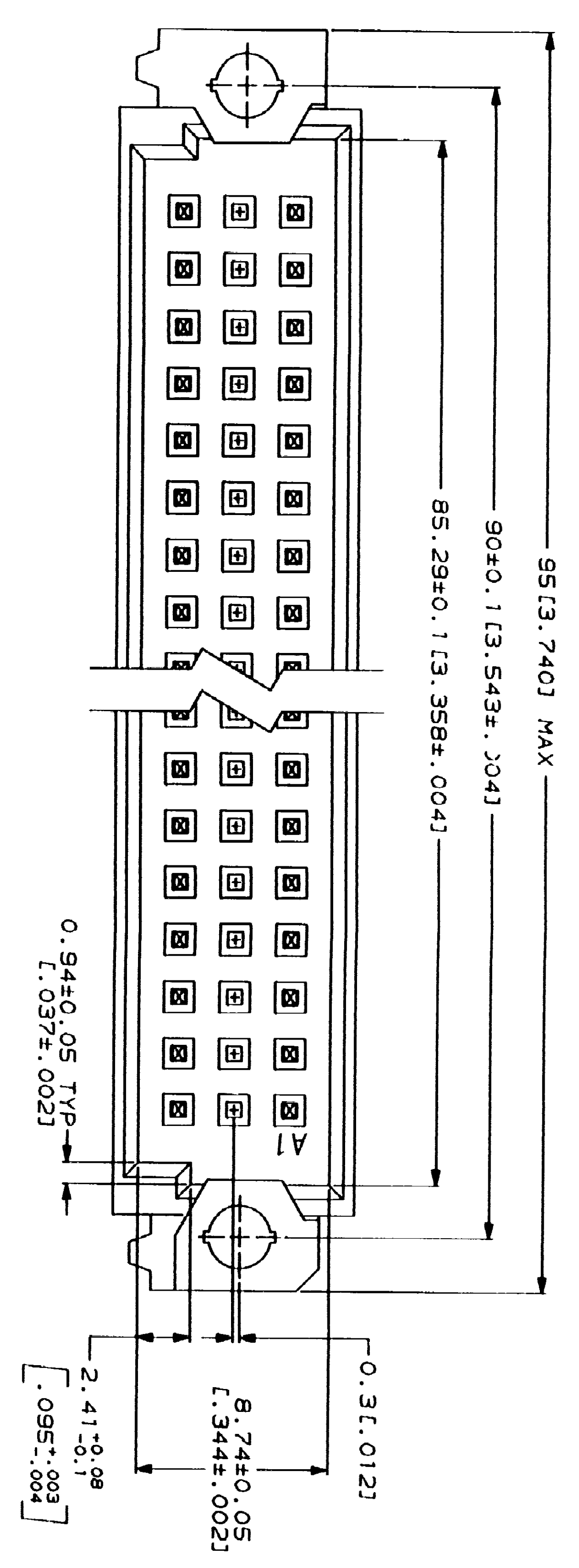




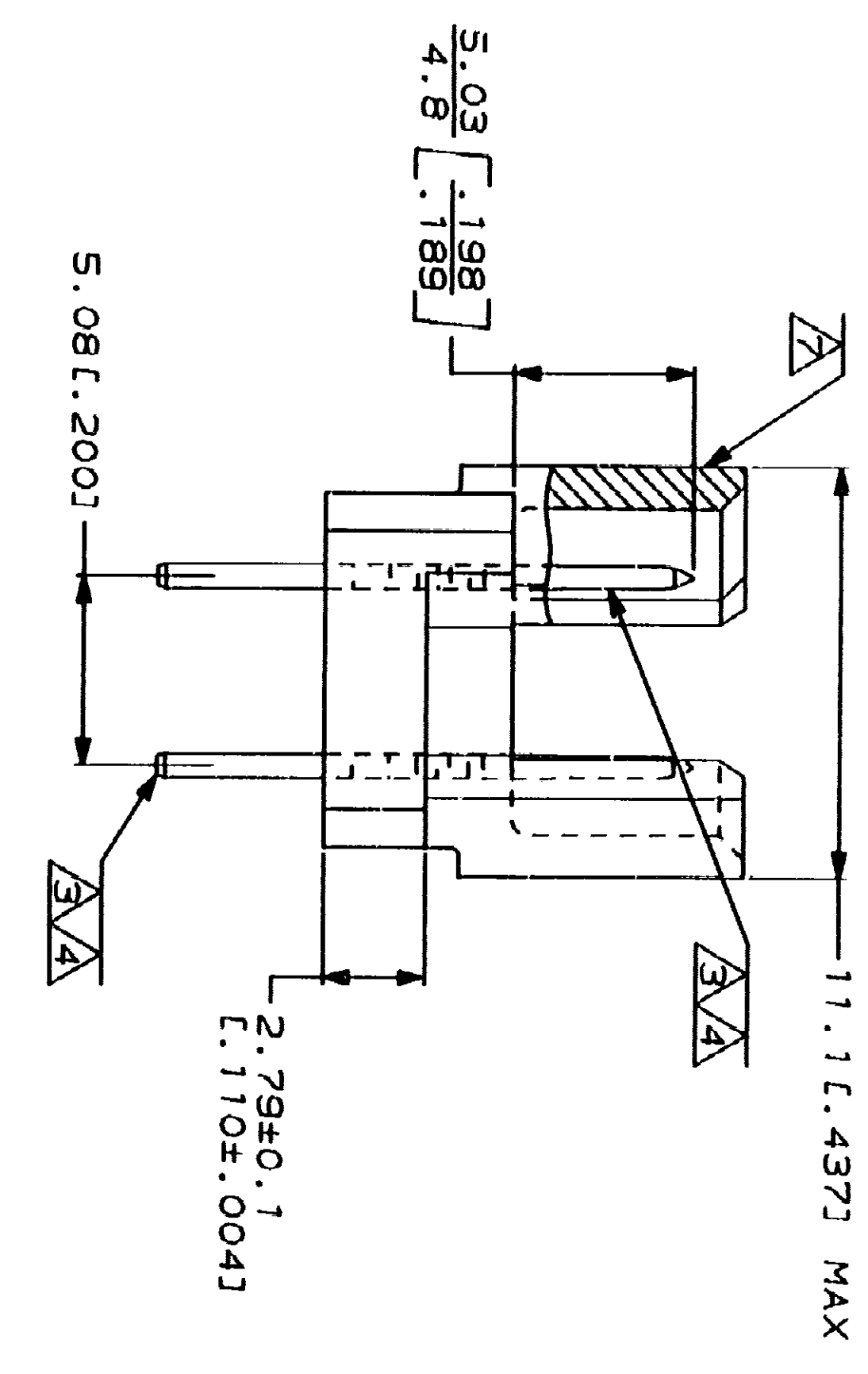
**THE DATASHEET OF
650934-5**



DATE	APPD	REV	DESCRIPTION
11/14/91	LSB	0	DRAWN
12/26/91	LSB	B	ECN A055861 A05640
6/2/92	LSB	C	ECN A05876
11/04/93	LSB	D	ECN A05871
9/26/94	LSB	E	ECN A06256
		F	EC 0010-1559-93
		G	EC 0010-0438-94



- △ HOUSING MATERIAL: GLASS-FILLED POLYESTER. COLOR: GRAY
- △ POST MATERIAL: BRASS.
- △ POST FINISH: DIN 41612 CLASS 3 IN CONTACT AREA.
- △ TIN-LEAD PLATE ON POSTS.
- △ POST FINISH: DIN 41612 CLASS 2 IN CONTACT AREA.
- △ TIN-LEAD PLATE ON POSTS.
- △ RECOMMENDED HOLE SIZE FOR MANUAL APPLICATION OF CONNECTOR ONTO PC BOARD.
- △ [PART NUMBER] [DATE CODE] MARKED THIS APPROXIMATE AREA.
- △ MARKING ON THIS SIDE.



SUPERSEDED BY 550934-5

REV	DATE	DESCRIPTION	BY	CHKD
1	1-32		X	-
2	1-32		X	54

NOTES	POSITIONS LOADED	ROWS LOADED	NO. OF POSITIONS	ASST
	C	B	A	

DR	DATE	NAME
L. BRINER	3/18/91	AMP
C.K. RUBENDALL	3/26/91	AMP Incorporc
D.C. RUBENDALL	3/26/91	Harrisburg, PA
APPD	3/26/91	
K.R. PARKER	3/26/91	

DC NOT SCALE PRINT.	DR	DATE	NAME
DC NOT SCALE PRINT.	L. BRINER	3/18/91	AMP
DIMENSIONS GIVEN IN INCHES	C.K. RUBENDALL	3/26/91	AMP Incorporc
TOLERANCES UNLESS OTHERWISE SPECIFIED	D.C. RUBENDALL	3/26/91	Harrisburg, PA
1 PLG DEC ±.013(.005)	APPD	3/26/91	
2 PLG DEC ±.013(.005)	K.R. PARKER	3/26/91	

Looking for pricing, stock, or lifecycle information?

Click below to explore more details on WIN SOURCE:

[View 650934-5 on WIN SOURCE](#)

[TE Connectivity Information](#)

Optimize Your Supply Chain with WIN SOURCE Solutions

- ✓ Global Sourcing Solution
- ✓ Obsolete Management
- ✓ Cost Control Management
- ✓ Shortage Management
- ✓ Alternative Solution
- ✓ Excess Inventory Management