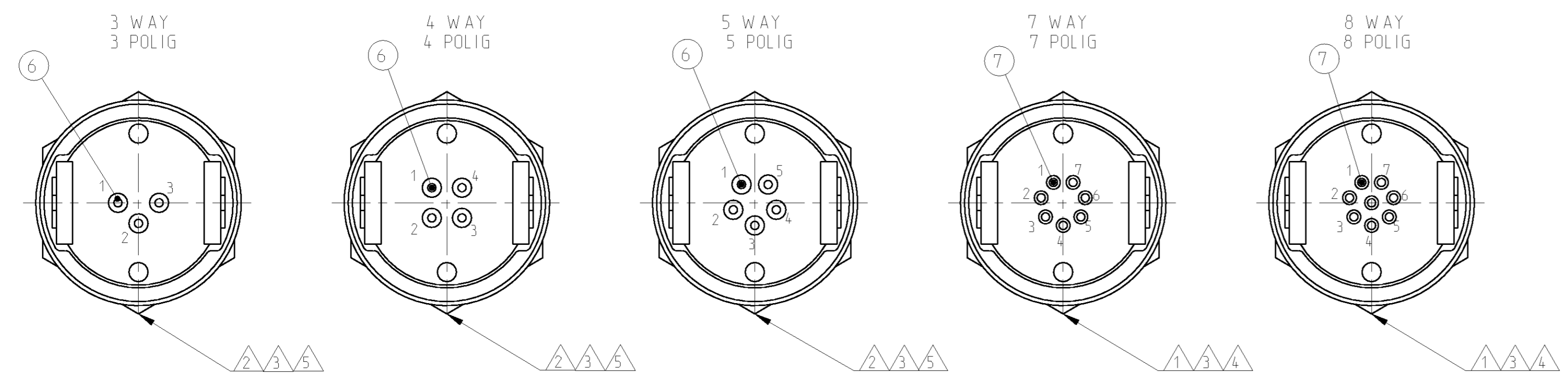




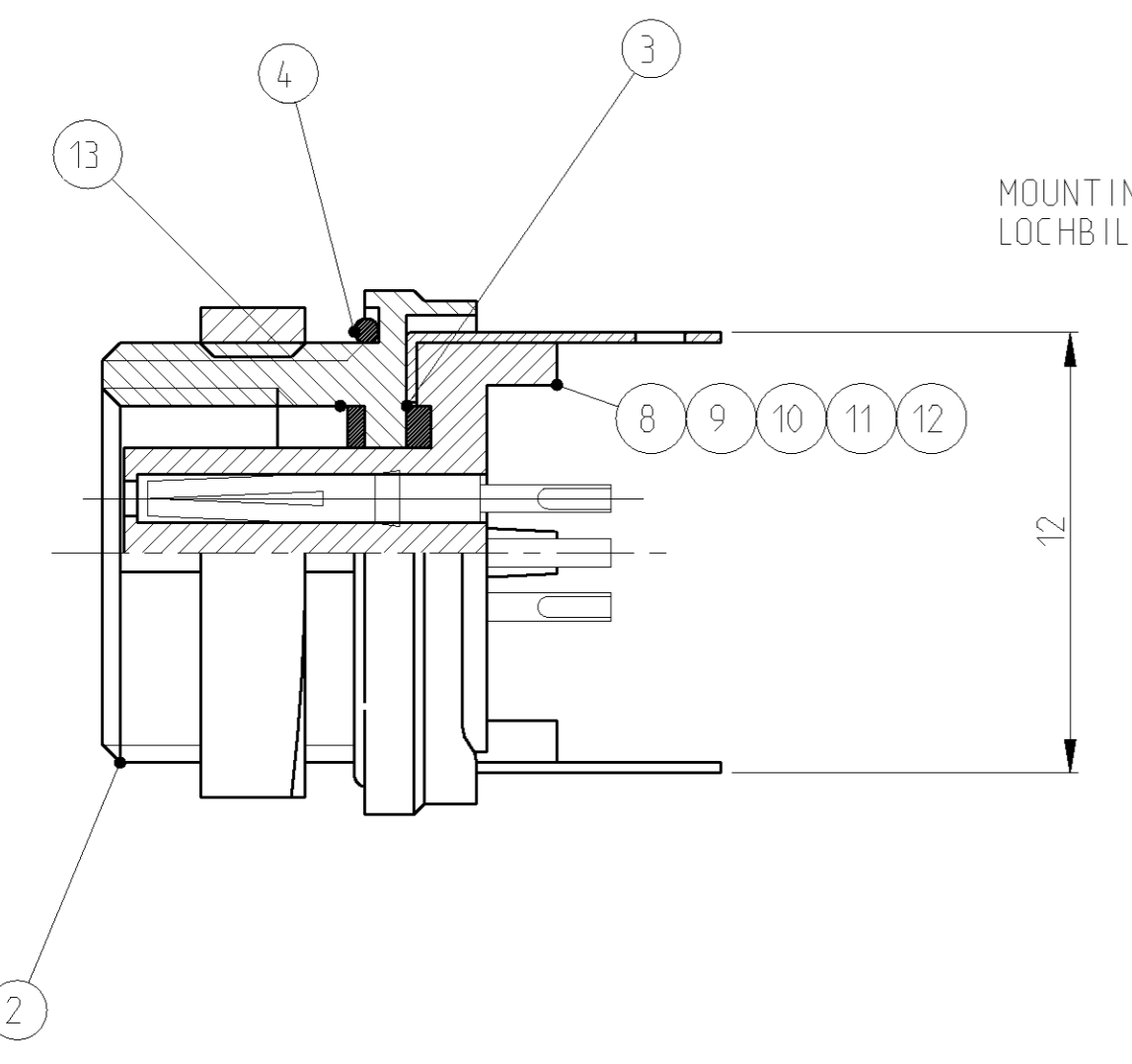
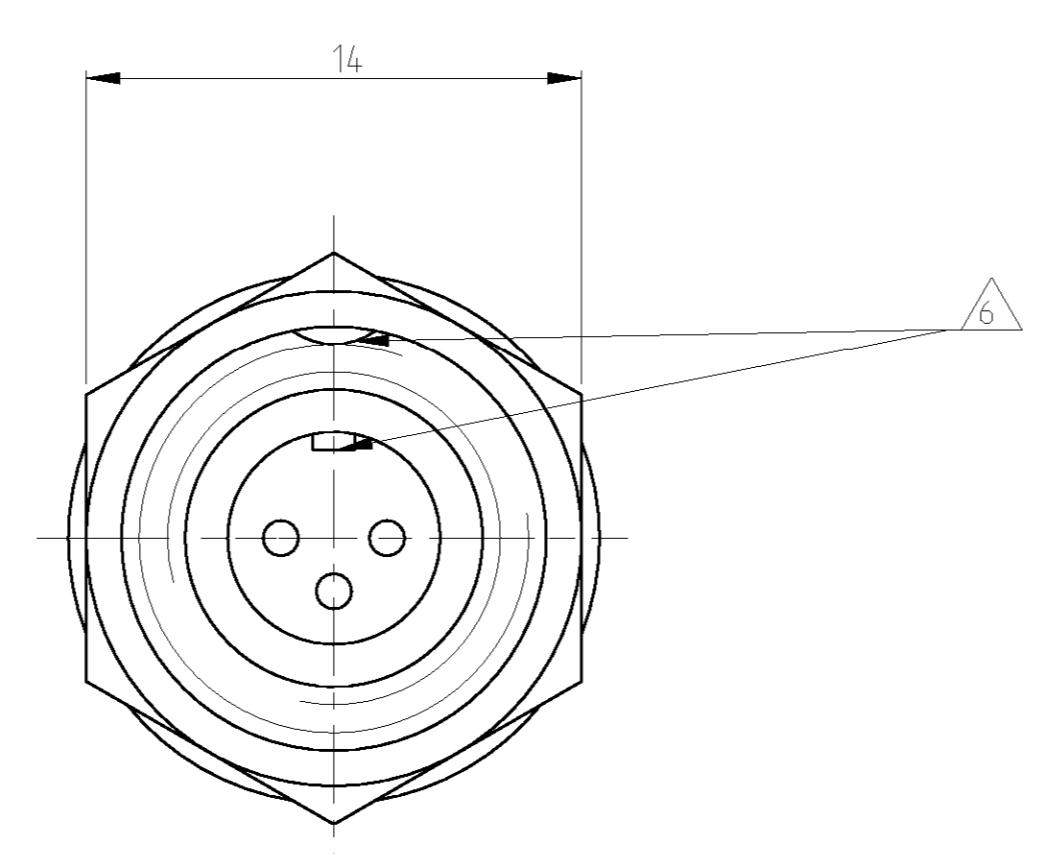
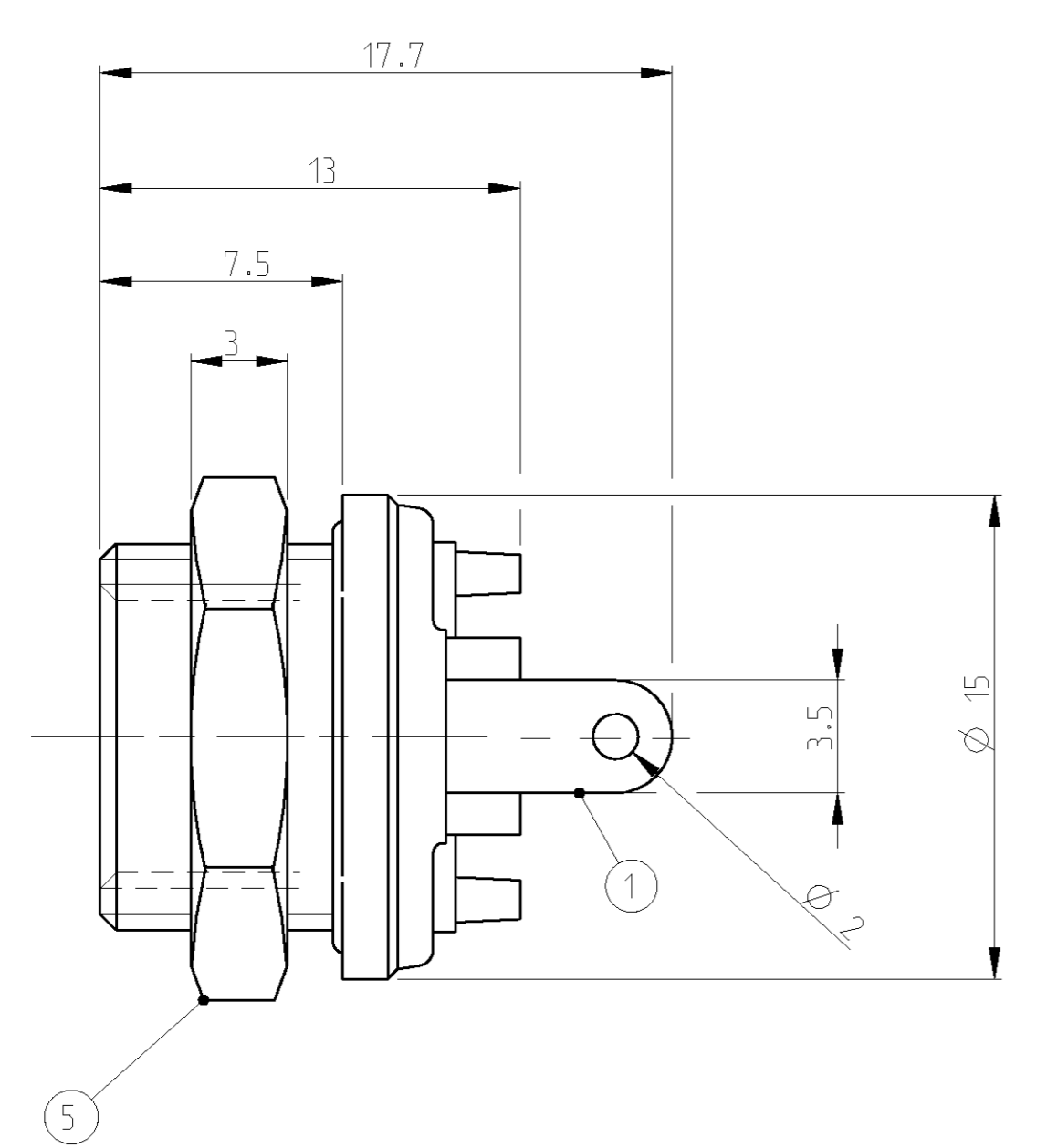
THE DATASHEET OF
9-1437719-9



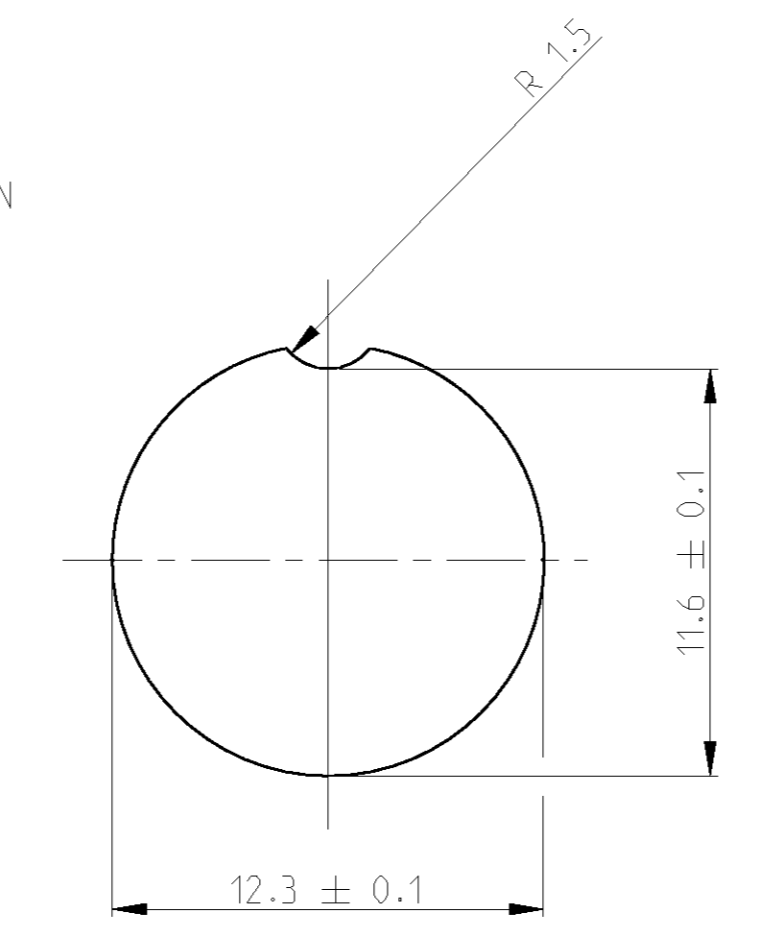
LOC	DIST	REV	DATE	BY	APPV
A1	-	1	19 JUN 2001	NG	GF



MATERIAL / MATERIAL: PBT, UL-94 V2 SHELL MATERIAL / GEHAUSEMATERIAL: CUZN FINISH / BESCHICHTUNG: TRIBOR 4 µm	△1
CODING / KODIERUNG	△6
WIRE GAGE / DRAHTGROESSE IN mm ² : 0.25	△5
WIRE GAGE / DRAHTGROESSE IN mm ² : 0.14	△4
CONTACT RESISTANCE / KONTAKTWIDERSTAND: => 5 mΩ	△3
RATED CURRENT PER CONTACT / NENNSTROM PRO KONTAKT: 3 A	△2
RATED CURRENT PER CONTACT / NENNSTROM PRO KONTAKT: 1 A	△1
SHELL PROTECTION CLASS / SCHUTZKLASSE: IP 65 / DIN 40050	
TERMINATION: SOLDERING / VERBINDUNG: LOETKONTAKTE	
TEST VOLTAGE / PRUEFSPANNUNG: 500 VAC	
OPERATING VOLTAGE / BETRIEBSSPANNUNG: 60 VAC	
OPERATING TEMPERATURE: -40°C TO +80°C / ARBEITSTEMPERATUR: -40°C BIS +80°C	
MATING CYCLES / STECKZYKLEN: 500 MAX.	
TECHNICAL DATA TECHNISCHE DATEN	



MOUNTING HOLE DIMENSION
LOCHBILD FUER MONTAGE



CATALOG-NO.	QTY REQD PER ASSY	DESCRIPTION / BESCHREIBUNG	ITEM-NO. TEIL-NR.
0-1437720-9	1	SEAL / DICHTUNG	13
0-1437720-6	1	INSULATION TUBE 8 POS. / ISOLIERHUELSE 8 POL.	12
0-1437720-3	1	INSULATION TUBE 7 POS. / ISOLIERHUELSE 7 POL.	11
9-1437719-9	1	INSULATION TUBE 5 POS. / ISOLIERHUELSE 5 POL.	10
9-1437719-6	1	INSULATION TUBE 4 POS. / ISOLIERHUELSE 4 POL.	9
	1	INSULATION TUBE 3 POS. / ISOLIERHUELSE 3 POL.	8
8	7	SOCKET APPLIED BY PRESSURE / BUCHSENKONTAKT EINGEPRESST	7
	5	SOCKET APPLIED BY PRESSURE / BUCHSENKONTAKT EINGEPRESST	6
1	1	NUT / MUTTER	5
1	1	SEAL / DICHTUNG	4
1	1	SEAL / DICHTUNG	3
1	1	HOUSING / GEHAUSE	2
1	1	GROUND ON PCB SPRING / VERBINDUNGSFEDER ZUR PCB MASSE	1
-	-	REVISION OF EACH ASSY NO. (WHEN BLANK, USE DWG REV.)	
QTY REQD PER ASSY		DESCRIPTION / BESCHREIBUNG	ITEM-NO. TEIL-NR.
T01-0580-S08			
T01-0580-S07			
T01-0580-S05			
T01-0580-S04			
T01-0580-S03			
PARTS LIST / TEILE LISTE			

AS SHOWN
9-1437719-6 WIE GEZEICHNET

<p>TYCO ELECTRONICS CORPORATION RELEASED FOR PUBLICATION DATE: 19 JUN 2001 BY: T100 ELECTRONICS CORPORATION ALL RIGHTS RESERVED. COPYRIGHT 2000</p>	<p>TYCO ELECTRONICS CORPORATION RELEASED FOR PUBLICATION DATE: 19 JUN 2001 BY: T100 ELECTRONICS CORPORATION ALL RIGHTS RESERVED. COPYRIGHT 2000</p>	<p>TYCO ELECTRONICS CORPORATION RELEASED FOR PUBLICATION DATE: 19 JUN 2001 BY: T100 ELECTRONICS CORPORATION ALL RIGHTS RESERVED. COPYRIGHT 2000</p>	<p>TYCO ELECTRONICS CORPORATION RELEASED FOR PUBLICATION DATE: 19 JUN 2001 BY: T100 ELECTRONICS CORPORATION ALL RIGHTS RESERVED. COPYRIGHT 2000</p>	<p>TYCO ELECTRONICS CORPORATION RELEASED FOR PUBLICATION DATE: 19 JUN 2001 BY: T100 ELECTRONICS CORPORATION ALL RIGHTS RESERVED. COPYRIGHT 2000</p>	<p>TYCO ELECTRONICS CORPORATION RELEASED FOR PUBLICATION DATE: 19 JUN 2001 BY: T100 ELECTRONICS CORPORATION ALL RIGHTS RESERVED. COPYRIGHT 2000</p>	<p>TYCO ELECTRONICS CORPORATION RELEASED FOR PUBLICATION DATE: 19 JUN 2001 BY: T100 ELECTRONICS CORPORATION ALL RIGHTS RESERVED. COPYRIGHT 2000</p>	<p>TYCO ELECTRONICS CORPORATION RELEASED FOR PUBLICATION DATE: 19 JUN 2001 BY: T100 ELECTRONICS CORPORATION ALL RIGHTS RESERVED. COPYRIGHT 2000</p>	<p>TYCO ELECTRONICS CORPORATION RELEASED FOR PUBLICATION DATE: 19 JUN 2001 BY: T100 ELECTRONICS CORPORATION ALL RIGHTS RESERVED. COPYRIGHT 2000</p>
--	--	--	--	--	--	--	--	--

Looking for pricing, stock, or lifecycle information?

Click below to explore more details on WIN SOURCE:

 [View 9-1437719-9 on WIN SOURCE](#)

 [TE Connectivity](#) Information

Optimize Your Supply Chain with WIN SOURCE Solutions

-  Global Sourcing Solution
-  Obsolete Management
-  Cost Control Management
-  Shortage Management
-  Alternative Solution
-  Excess Inventory Management