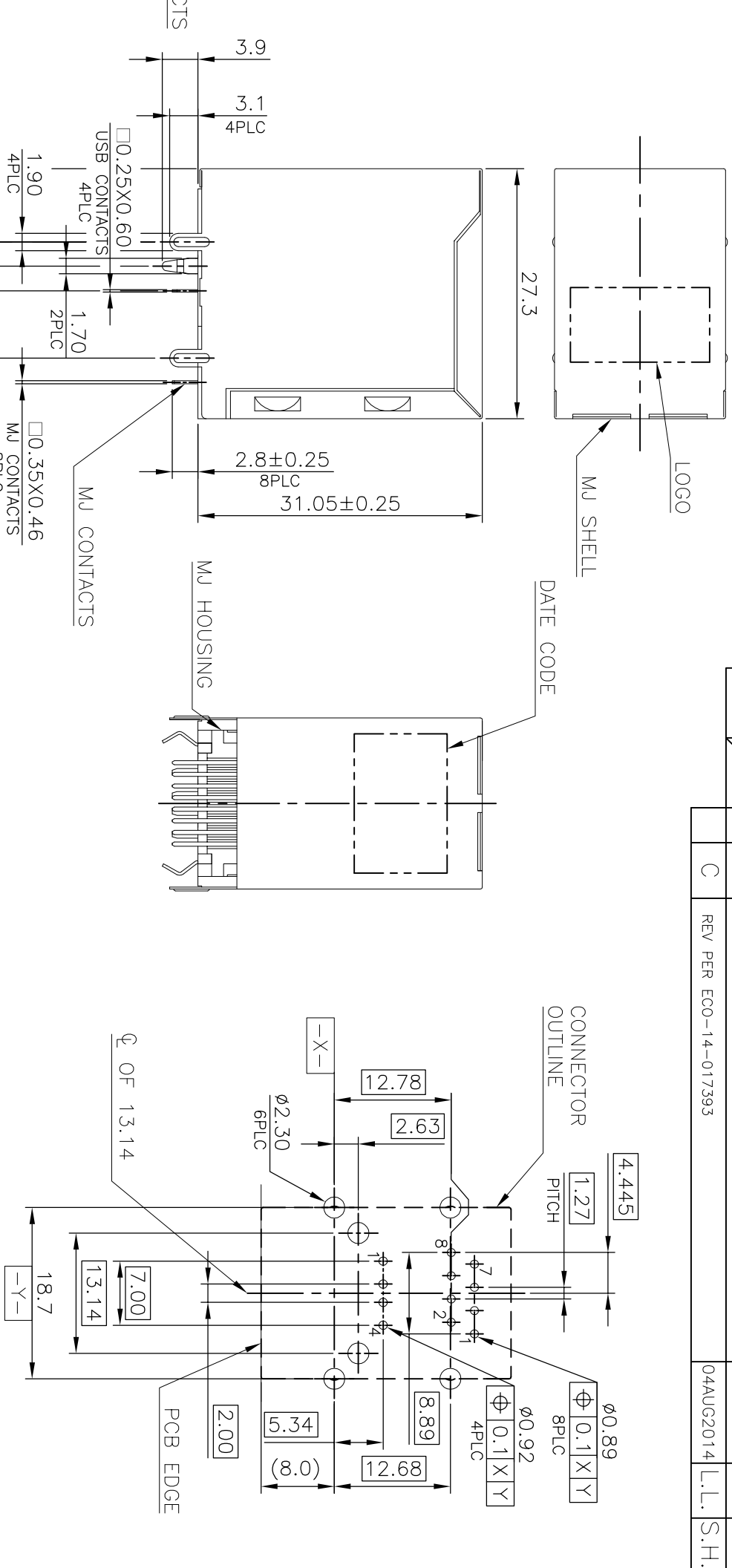




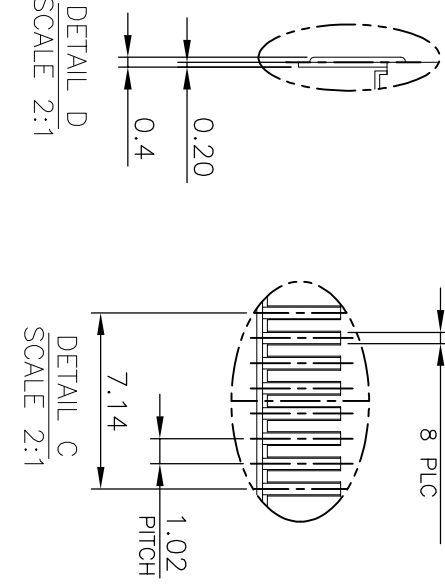
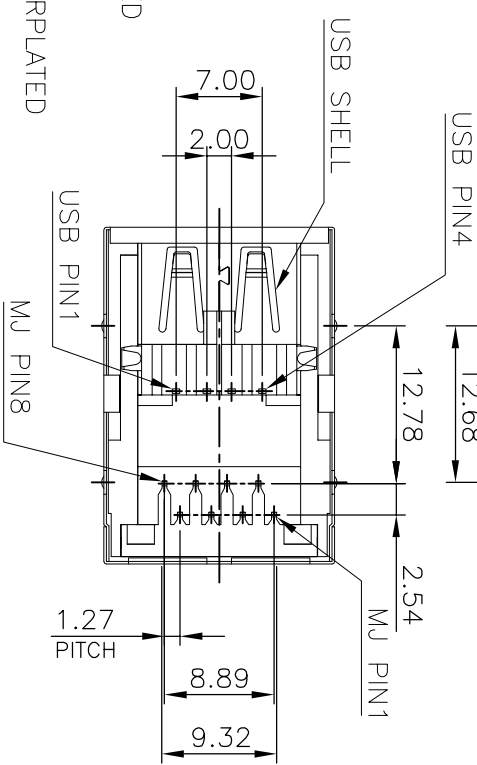
**THE DATASHEET OF
1-1909119-4**



REVOLUTION		REVISIONS		DATE	DWN	APVD
LOC	DW	DIST				
P	LTR	DESCRIPTION	DATE	DWN	APVD	
C		REV PER ECO-14-017393	04AUG2014	L.L.	S.H.	



RECOMMENDED PCB LAYOUT
 RECOMMENDED PCB THICKNESS: 1.6mm.
 TOLERANCE: ±0.05 (TOP VIEW)



1909119-1
 PART NUMBER

THIS DRAWING IS A CONTROLLED DOCUMENT.

DIMENSIONS:	TOLERANCES UNLESS OTHERWISE SPECIFIED:
mm	0 PLC ± -
	1 PLC ± 0.3
	2 PLC ± 0.2
	3 PLC ± 0.15
	4 PLC ± 3°

DWN	08JUN2008
B. HSING	
CHK	08JUN2008
S. CHIEN	
APVD	08JUN2008
W. KODAMA	
PRODUCT SPEC	108-57900
APPLICATION SPEC	

NAME	MODULAR JACK CONNECTOR OVER USB CONNECTOR STACKED, DIP TYPE
SIZE	A3
CAGE CODE	00779
DRAWING NO	1909119
SCALE	
SHEET	1 OF 6
REV	C

PLATED ON CONTACT AREA,
 FINN PLATED ON SOLDER TAIL,
 UNDERPLATED OVERALL.

ED.
 202, CONDITION B.

MATERIAL
 SEE NOTE

WEIGHT
 14.19 GRAMS

CUSTOMER DRAWING



TE Connectivity

A

B

C

D

Looking for pricing, stock, or lifecycle information?

Click below to explore more details on WIN SOURCE:

[View 1-1909119-4 on WIN SOURCE](#)

[TE Connectivity Information](#)

Optimize Your Supply Chain with WIN SOURCE Solutions

- ✓ Global Sourcing Solution
- ✓ Obsolete Management
- ✓ Cost Control Management
- ✓ Shortage Management
- ✓ Alternative Solution
- ✓ Excess Inventory Management