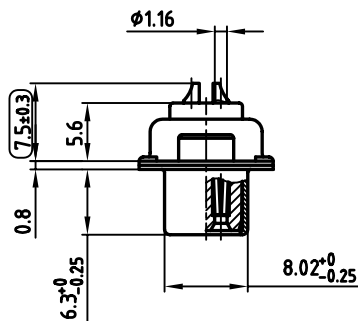
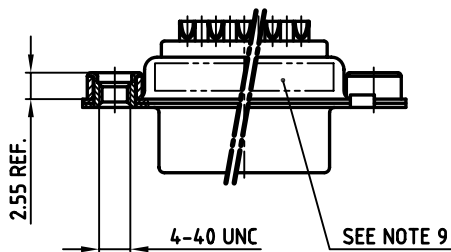
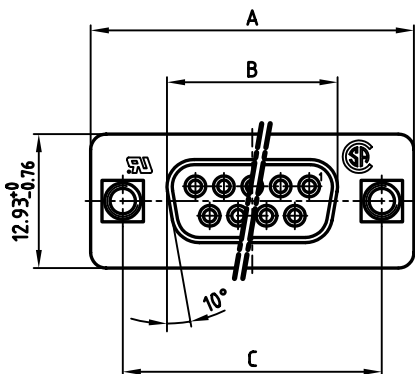




**THE DATASHEET OF
164A10239X**



used for: D-SUB



NOTES:

1. METALSHELLS: STEEL; min. 320µ" TIN
2. INSULATORS: PBT GF UL 94 V-0, BLACK
3. CONTACTS: COPPER ALLOY
4. PLATING: min. 8µ" HARD GOLD OVER min. 50µ" NICKEL
5. THREADED INSERT: COPPER ALLOY; min. 200µ" TIN over 80µ" NICKEL
6. COLLAR INSERT: COPPER ALLOY; min. 200µ" TIN over 80µ" NICKEL
7. MAXIMUM TORQUE VALUE FOR THREAD: 6" LBS
8. SOLDER CUP ACCEPTS CABLE AWG 20
9. CONNECTOR IS PART MARKED: PART-NO. CONEC ABC
10. = CHECK DIMENSION

POS.	A -0.76	B -0.25	C	Part No:
9	31.19	16.46	25.00 ± 0.12 ± 0.13	164A10219X
15	39.52	24.79	33.30 ± 0.15 ± 0.17	164A10229X
25	53.42	38.50	47.04 ± 0.13	164A10239X
37	69.70	54.96	63.50 ± 0.13	164A10249X

APPROVAL * FREIGABE * DEBLOCAGE * AUTORIZACION * APPROVAL

CUSTOMER APPROVAL DATE:

NAME: TITLE:

COMPANY NAME:

APPROVAL * FREIGABE * DEBLOCAGE * AUTORIZACION * APPROVAL

THIS DRAWING MAY NOT BE COPIED OR REPRODUCED IN ANY WAY, AND MAY NOT BE PASSED ON TO A THIRD PARTY, WITHOUT WRITTEN PERMISSION. OWNERSHIP AND COPYRIGHT OF CONEC GmbH. DO NOT ALTER CAD DRAWING BY HAND

rev.	description	date	name

tolerance ⌀ dim. in mm

2004	date	name
drawn	04.11.	Schmidt
appd.	04.11.	Mickenbecker
norm	DIN 41652	
d-old		

CONEC

scale: 2:1

material: SEE NOTES



title: **D-SUB FEMALE**
Solder cup accepts cable AWG 20 with threaded insert, 9 - 37 pos.

dwg no: AutoCAD 2004 DIN-A 3 sh: 1/1

part no: **16K1A1264** SEE TABLE

Looking for pricing, stock, or lifecycle information?

Click below to explore more details on WIN SOURCE:

-  [View 164A10239X on WIN SOURCE](#)
-  [Conec Information](#)

Optimize Your Supply Chain with WIN SOURCE Solutions

-  Global Sourcing Solution
-  Obsolete Management
-  Cost Control Management
-  Shortage Management
-  Alternative Solution
-  Excess Inventory Management