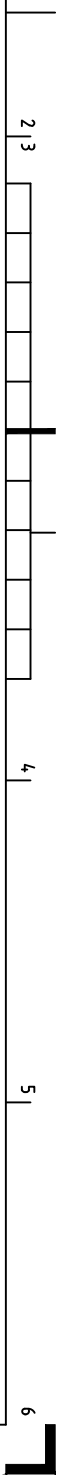


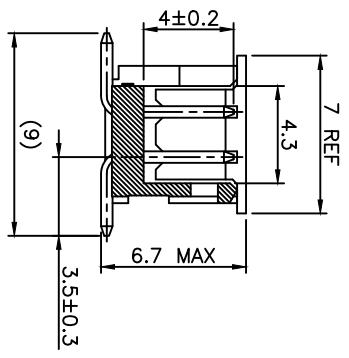
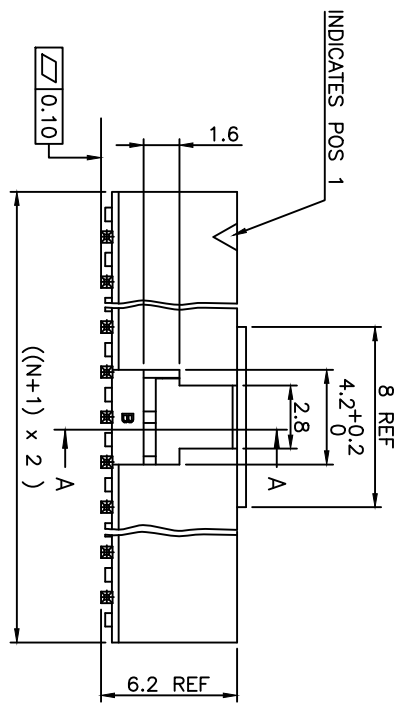
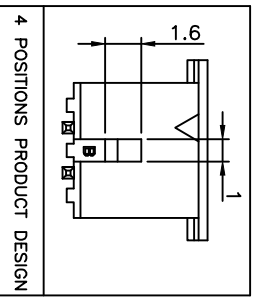
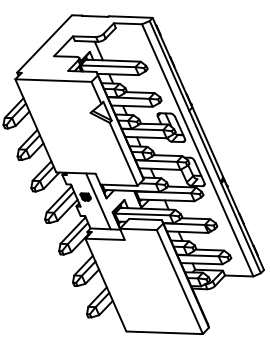
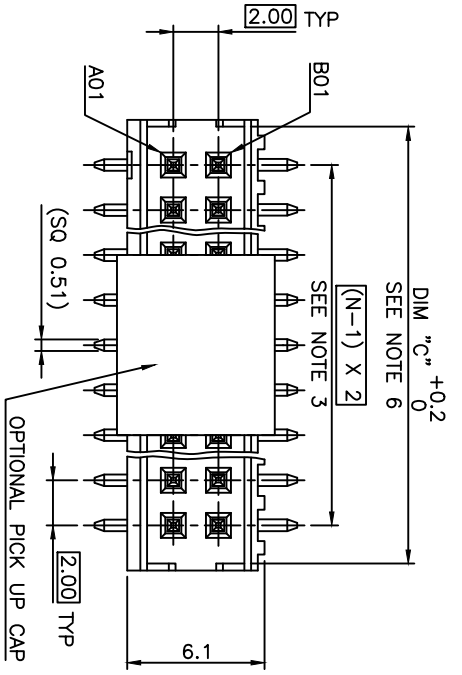


**THE DATASHEET OF
98424-G52-14ALF**

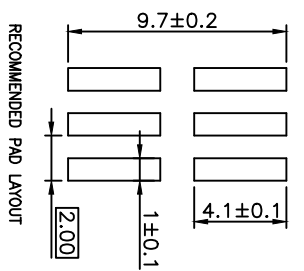




- ROHS COMPATIBLE, SEE NOTE 8
 - HALARIZATION (SEE NOTE 7)
 - FINISHING OPTIONAL LETTER (SEE NOTE 5)
 - NUMBER OF POSITIONS; 04 TO 50
 - OPTION NOTE 1



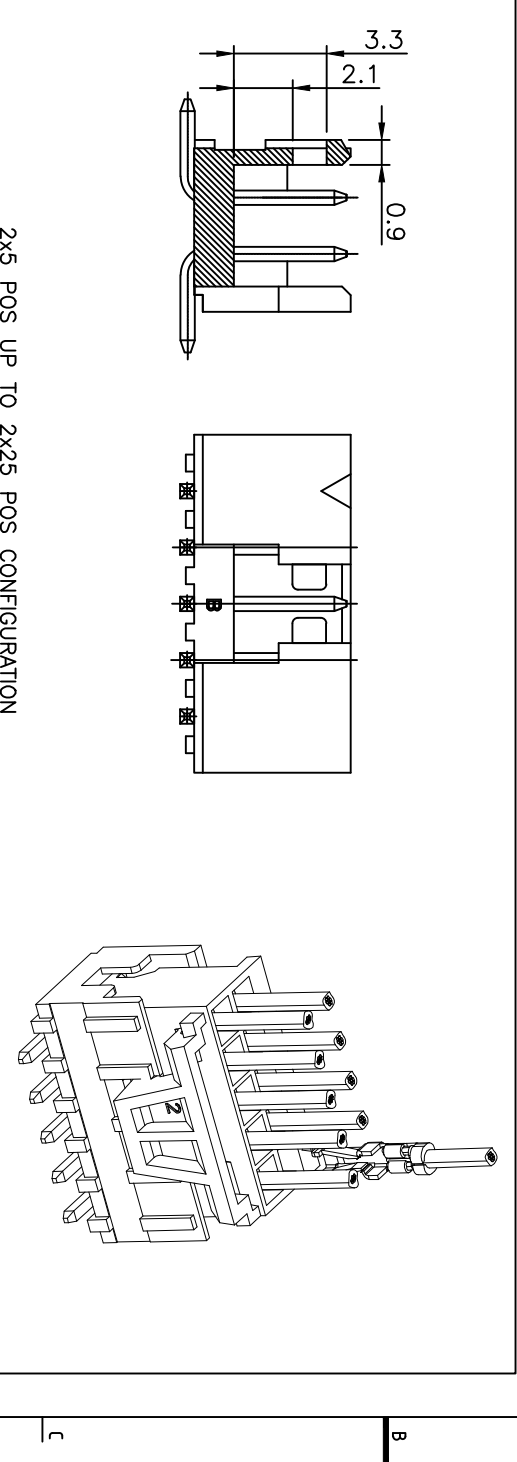
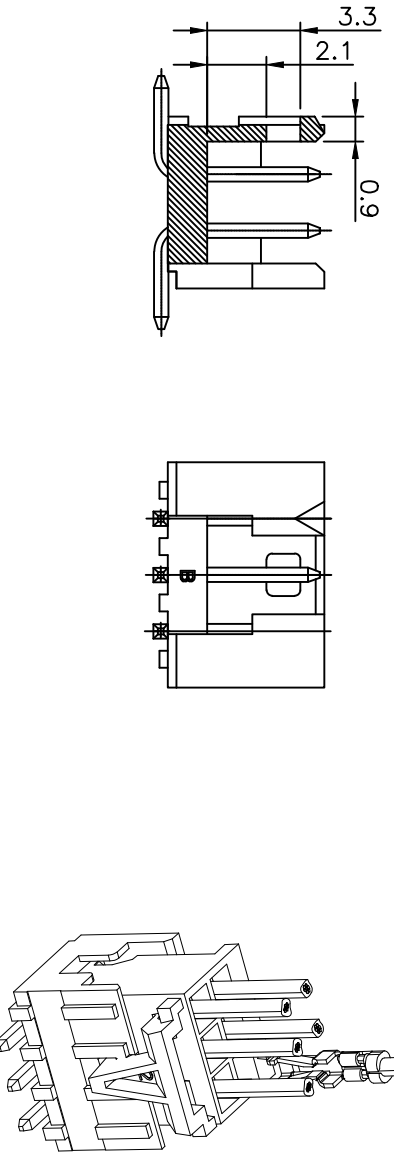
FEATURE APPLICABLE
 AVAILABLE
 ONLY FOR 98424-Y52-06CLF
 IMPACTED
 R DEDICATED PART
 CUSTOMER DEDICATED PART
 CUSTOMER DEDICATED PART
 PIN
 NOT APPLICABLE



mat'l. code	SEE NOTES	surface	tolerance	projection	product family		
ltf	ecn no	dr	date	ISO 1302	ISO 406	ISO 1101	title
W	B-26204	JCA	17.02.27	tolerances unless otherwise specified	X.X ±0.3	X.X ±0.13	SHR HEADER
R	B-18975	LMU	14.10.01	linear	X.XX ±0.13	X.XXX ±0.05	2.00 VERTICAL SMT
S	B-19190	LMU	14.10.24	LMULIN	04.09.27	scale 1:1	MINITEK
T	B-19797	AMA	14.12.16	length	J.COMPAIGNON	04.09.27	98424
U	B-19988	LMU	15.01.13	chr	JMC	04.09.27	sheet 1 of 2
V	F-23051	AMA	16.01.15	appd	JMC	04.09.27	size
sheet	revision	W	A				A3
index	sheet	1	2				CUSTOMER Drawing



2x3 POS AND 2x4 POS CONFIGURATION
NO LATCHING AVAILABLE FOR 2x2 POS





2x5 POS UP TO 2x25 POS CONFIGURATION

WHEN USED IN COMBINATION
WITH HOUSING 10073599

mat'l. code		SEE NOTES		surface		tolerance		projection		product family	
ISO 1902		ISO 406 ISO 101		ISO 1902		ISO 406 ISO 101		ISO 101		MINITEK	
lit	ecm no	dr	date	tolerances unless otherwise specified	linear	angular	mm	mm	mm	title	
A	F08-0113	LMU	08.01.17	linear	X.X ±0.3	angular	X.XX ±0.13	mm	mm	SHR HEADER	
				angular	X.XXX ±0.05	scale	1:1			2.00 VERTICAL SMT	
				dr	LMULIN					dwg no	sheet 2 of -
				engr	J.COMPAGNON					98424	size
				chr						CUSTOMER Drawing	A3
				appr	JM.C						
sheet	revision										
index	sheet										

Looking for pricing, stock, or lifecycle information?

Click below to explore more details on WIN SOURCE:

-  [View 98424-G52-14ALF on WIN SOURCE](#)
-  [Amphenol FCI Information](#)

Optimize Your Supply Chain with WIN SOURCE Solutions

-  Global Sourcing Solution
-  Obsolete Management
-  Cost Control Management
-  Shortage Management
-  Alternative Solution
-  Excess Inventory Management