



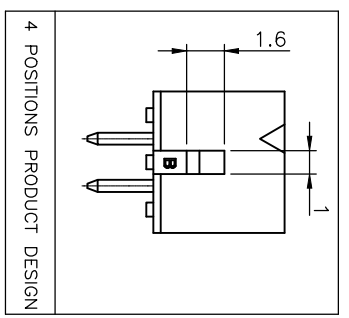
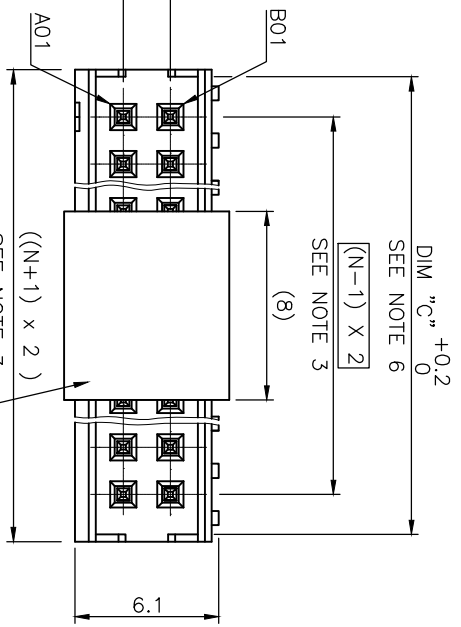
**THE DATASHEET OF  
98414-G06-18ULF**



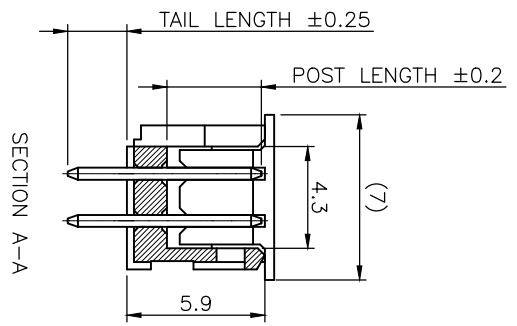
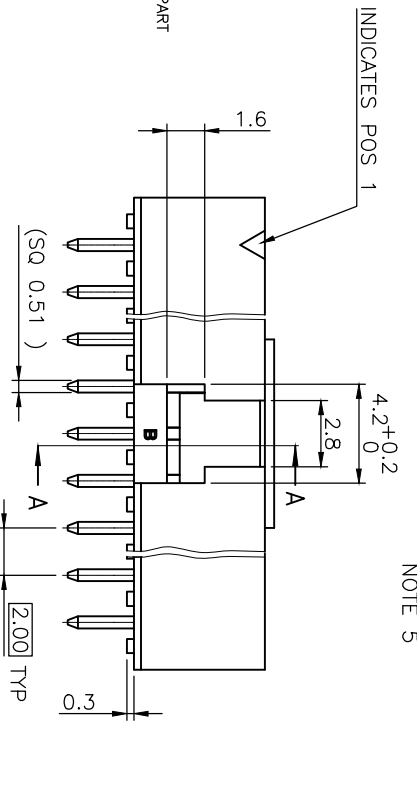


S COMPATIBLE, SEE NOTE 8  
 SEE NOTE 7  
 SEE NOTE 5  
 POSITIONS, 04 TO 50 POS  
 N NOTE 1

TAIL LENGTH	2.00
	2.50
	3.10
	3.70

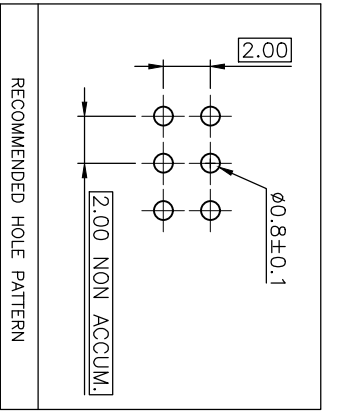


L-94V0



FEATURE APPLICABLE  
 50 POS  
 MER DEDICATED PART  
 CUSTOMER DEDICATED PART  
 R CUSTOMER DEDICATED PART

PIN NOT APPLICABLE.



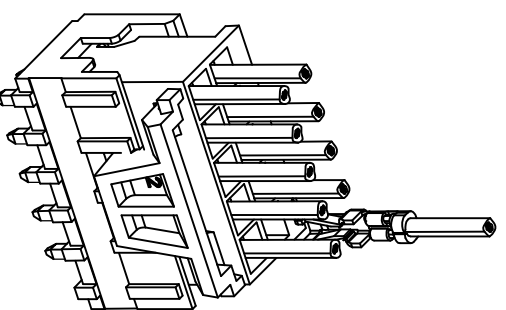
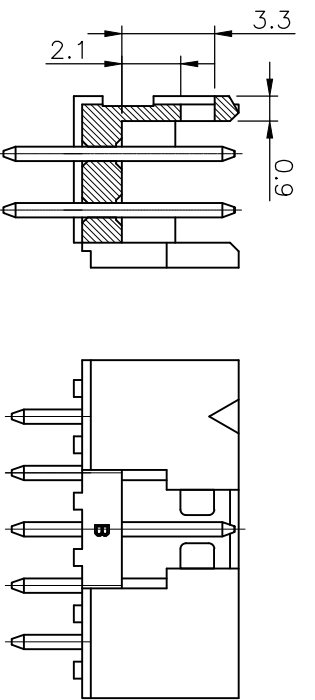
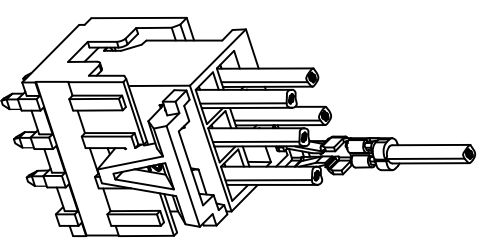
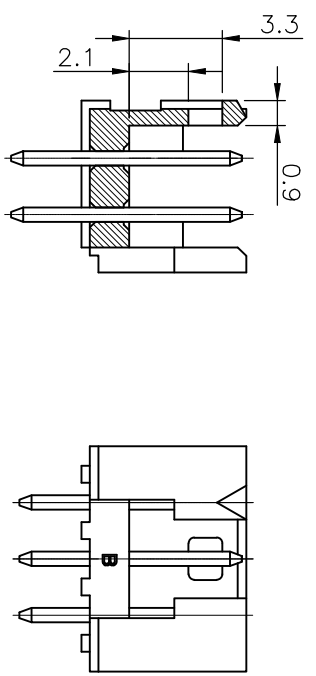
mat'l. code		surface		tolerance		projection		product family	
SEE NOTES		ISO 1302		ISO 406 ISO 150		101		MINITEK	
lfr	ec'n no	dr	date	tolerances unless otherwise specified		mm		title	
P	F10-0215 JCO	10.09.16		linear	XXX	±0.3	1:1	SHR HEADER	
R	B-18812 LMU	14.09.15		linear	XXX	±0.13		2.00 VERTICAL TMT	
S	B-19190 LMU	14.10.24		X XXX	±0.05	scale		Sheet 1 of 2 size	
T	B-19797 AMA	14.12.16	dr	LMULIN	04.09.27			98414	
U	B-19988 LMU	15.01.13	length	JCOMPAGNON	04.09.27		CUSTOMER Drawing		
N	E09-0211 JCO	09.11.03	chp	JM.C	04.09.27		A3		
Sheet	revision	U	A						
index	sheet	1	2						

PDS: Rev: U

STATUS: Released Printed: Jan 15, 2015

2 | 3 | 4 | 5 | 6

2x3 POS AND 2x4 POS CONFIGURATION  
NO LATCHING AVAILABLE FOR 2x2 POS



2x5 POS UP TO 2x25 POS CONFIGURATION

WHEN USED IN COMBINATION  
WITH HOUSING 10073599



mat'l. code		SEE NOTES		surface tolerance		ISO 1302		ISO 406		ISO 101		projection		product family	
Ltr ecm no dr date		ISO 1302		ISO 406		ISO 101		tolerances unless otherwise specified		mm		MINITEK		title	
A F08-0113LMU 08.01.17		X.X ±0.3		X.X ±0.3		X.X ±0.3		linear		X.XX ±0.13		SHR HEADER		2.00 VERTICAL TMT	
dr		LMULN		07.11.06		K.XXX ±0.05		scale 1:1		FCI		dwg no		sheet 2 of - size	
engr J.COMPAGNON		07.11.06		JM.C		07.11.06		CUSTOMER Drawing		98414		A3			
sheet revision		JM.C		07.11.06											
index sheet															

2 | 3 | 4 | 5 | 6

D

## Looking for pricing, stock, or lifecycle information?

Click below to explore more details on WIN SOURCE:

-  [View 98414-G06-18ULF on WIN SOURCE](#)
-  [Amphenol FCI Information](#)

## Optimize Your Supply Chain with WIN SOURCE Solutions

-  Global Sourcing Solution
-  Obsolete Management
-  Cost Control Management
-  Shortage Management
-  Alternative Solution
-  Excess Inventory Management