

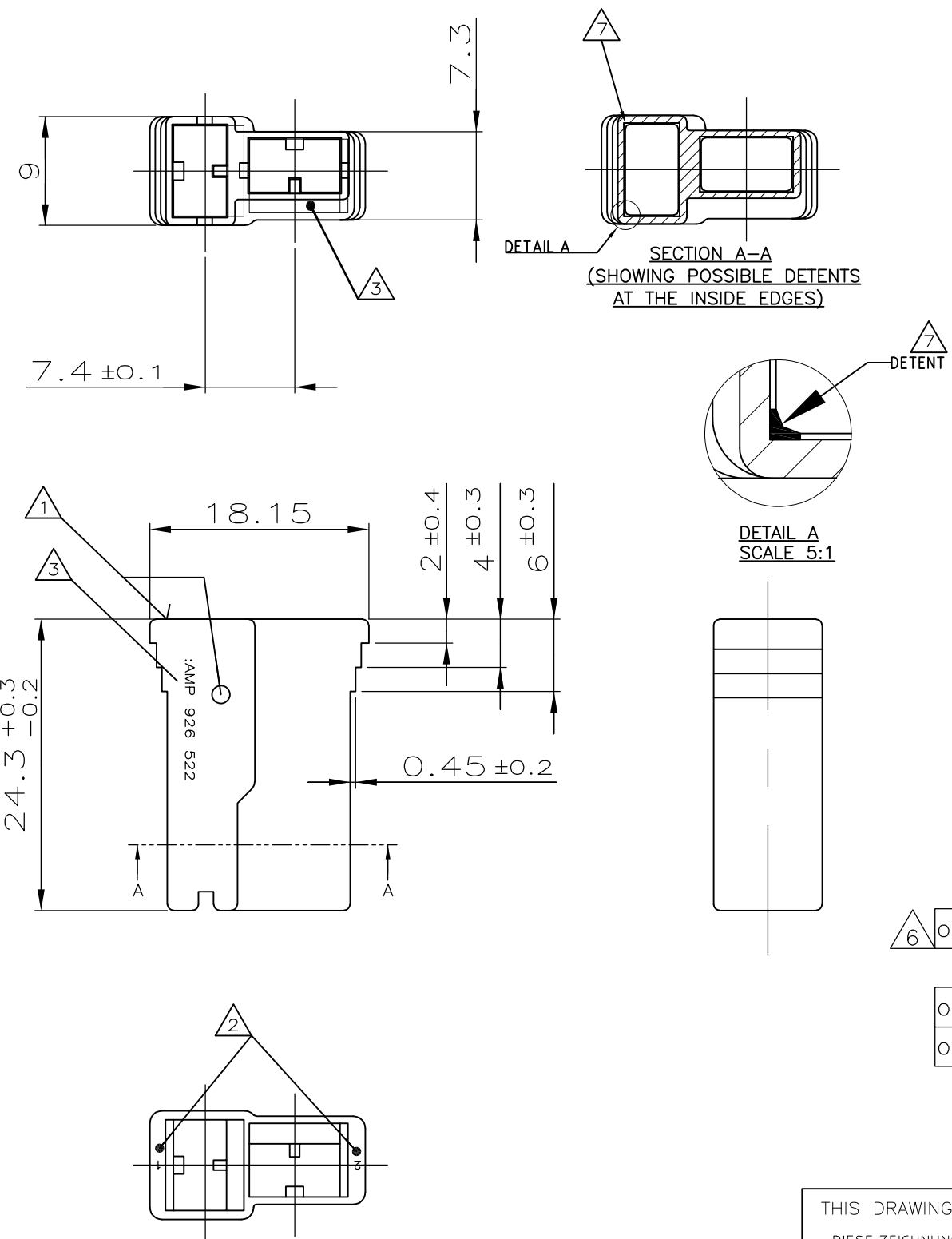


**THE DATASHEET OF**  
**1-926522-1**



THIS DRAWING IS UNPUBLISHED.  
 VERTRAULICHE UNVERÖFFENTLICHTE ZEICHNUNG  
 © COPYRIGHT - 78 By -  
 RELEASED FOR PUBLICATION  
 FREI FUER VERÖFFENTLICHUNG  
 ALL RIGHTS RESERVED.  
 ALLE RECHTE VORBEHALTEN

LOC	DIST	REVISIONS ÄNDERUNGEN					
		P	LTR	DESCRIPTION BESCHREIBUNG	DATE	DWN	APVD
IR	-		S2	ECO-10-003194	30JAN10	KK	HMR
			S3	ECR-10-015755	28JUL10	PS	PCH
			S4	ECR-10-026307	18JAN11	KK	HMR



- 1 Teile- Nr. wahlweise angebracht  
PN OPTIONAL BROUGHT IN
- 2 Kammer- Nr. wahlweise angebracht  
CAVITY- No. OPTIONAL BROUGHT IN
- 3 Firmenlogo wahlweise angebracht  
MANUFACTURER-LOGO OPTIONAL BROUGHT IN
- 4 Befeuchtet bevor dem verpacken  
MOISTURIZED BEFORE PACKING
- 5 !!vorsicht!! stellen sie nicht heraus 4  
teile zum zu trocknen umwelt für lange  
zeit vor gebrauch
- !!CAUTION!! DO NOT EXPOSE 4 PARTS TO DRY  
ENVIRONMENT FOR LONG TIME BEFORE USE
- 6 OBSOLETE PARTS: OBSOLETE CIS STREAMLINING PER  
D.RENAUD/D.SINISI
- 7 POSSIBLE MOLD DETENTS ON THE INNER EDGES OF THE PART,  
FREE POSITION ALONG THE EDGES; SIZE MAX 0.3mm.

4									
4	-	3-926 522-3	A	-	PA 6.6(V-0)	ORANGE	-	-	-
4	-	2-926 522-1	A	-	ZYTEL 101	SCHWARZ	-	-	-
	-	1-926 522-3	S	-	PA 6.6(V-0)	ORANGE	-	-	-
	-	1-926 522-2	R	-	PA 6.6(V-0)	NATUR	-	-	-
	-	1-926 522-1	S	-	PA 6.6(V-0)	SCHWARZ	-	-	-
6	OBSOLETE	-926 522-6	R	-	ZYTEL E 103	SCHWARZ	-	-	-
	-	926 522-5	R	-	ZYTEL 101	BLAU	-	-	-
	OBSOLETE	-926 522-4	R	-	ZYTEL 101	GELB	-	-	-
	OBSOLETE	-926 522-3	R	-	ZYTEL 101	ROT	-	-	-
	-	926 522-2	R	-	ZYTEL 101	NATUR	-	-	-
	-	926 522-1	R	-	ZYTEL 101	SCHWARZ	-	-	-
	CUSTOMER PART NO	TE PART NO	REV.	PCS.	MATERIAL	SURFACE COLOR	DESCRIPTION	ITEM NO	

THIS DRAWING IS A CONTROLLED DOCUMENT.  
 DIESE ZEICHNUNG IST EIN KONTROLLIERTES DOKUMENT.

DIMENSIONS: MASSE/HEITEN: mm	TOLERANCES UNLESS OTHERWISE SPECIFIED: ALLGEMEINTOLERANZEN	DWN D. Jakobeit 11-NOV-98	 TE Connectivity 2 POS.POSITIVE LOCK GEHAEUSE
0 PLC ± 0.2	1 PLC ± 0.2	CHK -	
2 PLC ± 0.2	3 PLC ± -	APVD -	
4 PLC ± -	ANGLES / WINKEL ± 1',30'	PRODUCT SPEC PRODUKTSPEZ. -	
MATERIAL -	FINISH/OBERFLAECHE/FARBE -	APPLICATION SPEC. VERARBEITUNGSSPEZ. -	SIZE A3 CAGE CODE 00779 DRAWING NO. ZEICHNUNGS-NR. C-926522 RESTRICTED TO NUR FUER -
CUSTOMER DRAWING/KUNDENZEICHNUNG		WEIGHT GEWICHT -	SCALE MASSTAB 2:1 SHEET BLATT 1 OF VON 1 REV S4

## Looking for pricing, stock, or lifecycle information?

Click below to explore more details on WIN SOURCE:

 [View 1-926522-1 on WIN SOURCE](#)

 [TE Connectivity](#) Information

## Optimize Your Supply Chain with WIN SOURCE Solutions

-  Global Sourcing Solution
-  Obsolete Management
-  Cost Control Management
-  Shortage Management
-  Alternative Solution
-  Excess Inventory Management