

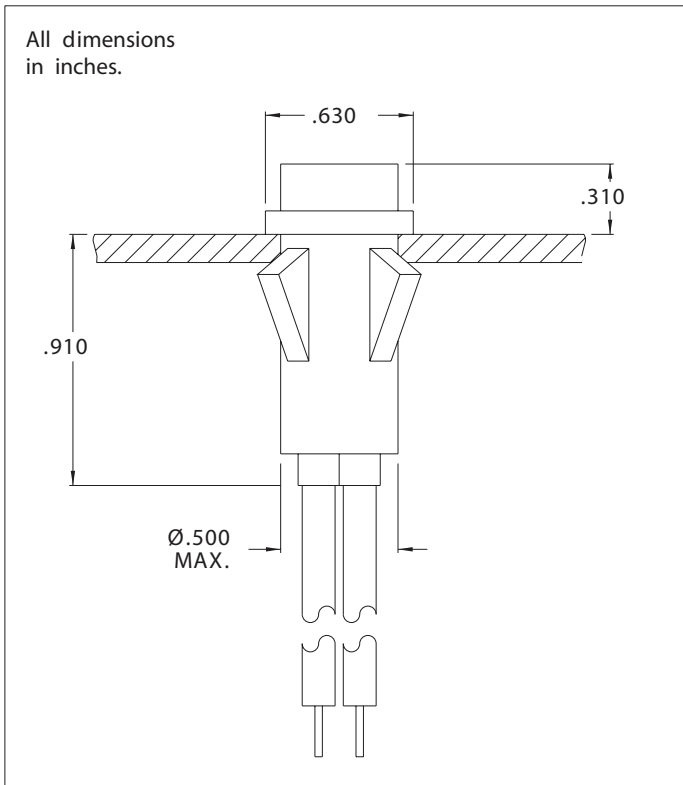


THE DATASHEET OF
1090C4-6V



1050C, 1051C, 1052C, 1053C and 1090C Series Non-Relampable Incandescent Indicator Lights

Description and Features



Mounting: Will snap-fit into Ø.500/.505 hole in panels .020/.100 thick. Push-on speednut SN0461 also available. Mounting hole pattern on page SP2.

Wire Leads: No. 22 AWG (105°C) 4.40/4.80 long, stripped .430/.570

Lens: Nylon on model 1050C1, 1050C3, 1050C4, 1051C1, 1051C3, 1051C4, Polycarbonate on all other models.

Bezel: Polished stainless steel.

Housing: White Nylon

| Lens Color | Neon | | Incandecent | |
|------------|---------------------------|-------------------------|--------------------|--------------------|
| | Model No. (105-125VAC) | Model No. (208-250V) | Model No. (12V) | Model No. (28V) |
| Red | 1050C 1 | 1051C1 | 1090C 1-12V | 1090C 1-28V |
| Clear | 1050C 2 | - | - | - |
| Amber | 1050C 3 | 1051C3 | 1090C 3-12V | 1090C 3-28V |
| White | 1050C 4 | 1051C 4 | 1090C 4-12V | 1090C 4-28V |
| Green | 1052C 5* | 1053C5* | 1090C 5-12V | 1090C 5-28V |
| Lamp used | C2A+Resitor | C2A+Resistor | #2162 | #2187 |
| Lead Color | Black | One Black/One Red | Yellow | Purple |

* Incorporates G2B lamp and resistor.
Underwriters Laboratories (UL) File No. E20356

Looking for pricing, stock, or lifecycle information?

Click below to explore more details on WIN SOURCE:

- [View 1090C4-6V on WIN SOURCE](#)
- [Visual Communications Company - VCC Information](#)

Optimize Your Supply Chain with WIN SOURCE Solutions

- ✓ Global Sourcing Solution
- ✓ Obsolete Management
- ✓ Cost Control Management
- ✓ Shortage Management
- ✓ Alternative Solution
- ✓ Excess Inventory Management