



THE DATASHEET OF
894858002



NOTE:

- 1.MATERIAL: HOUSING:HIGH TEMPERATURE NYLON/GLASS FIBRE FILLED;JUL94-V0,COLOR:BLACK TERMINAL:PHOSPHOR BRONZE METAL SHELL:DEEP DRAWN STEEL
- 2.PLATING:

TERMINAL:

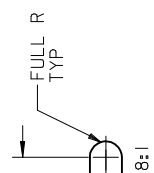
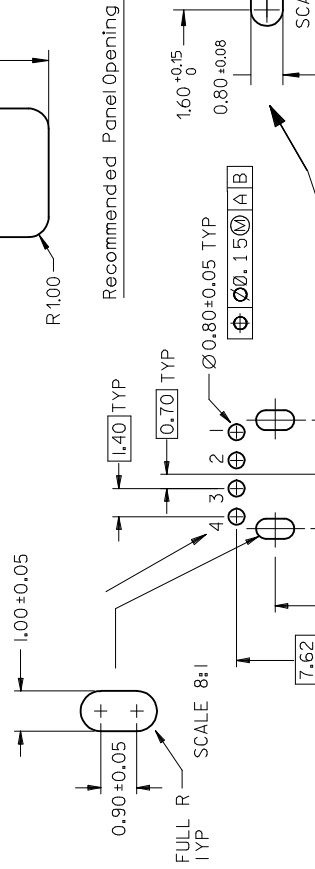
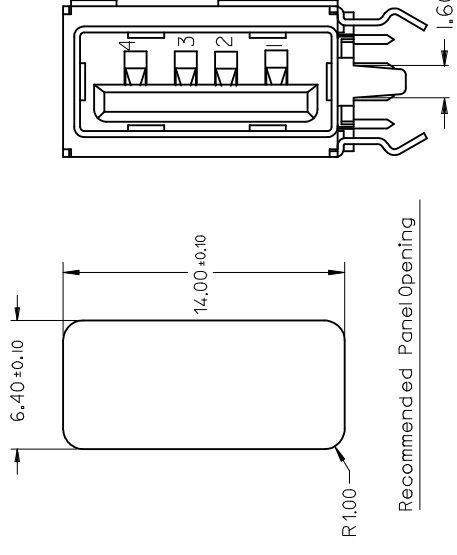
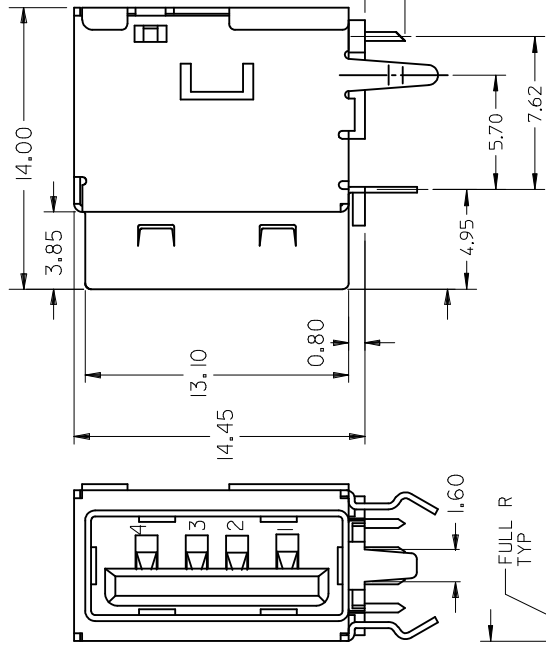
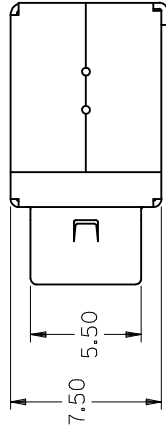
- (a)GOLD FLASH ON THE CONTACT AREA AND 75MICROINCH MINIMUM PURE TIN ON SOLDER TAIL, UNDER 50MICROINCH MINIMUM NI PLATE.
- (b)30MICROINCH MINIMUM GOLD(AU) ON THE CONTACT AREA, AND 75MICROINCH MINIMUM PURE TIN ON SOLDER TAIL,UNDER 50MICROINCH MINIMUM NI UNDER PLATE.
- (c)GOLD FLASH ON THE CONTACT AREA,AND 75MICROINCH MINIMUM MATTE TIN ON SOLDER TAIL,UNDER 50MICROINCH MINIMUM NI PLATE.

METAL SHELL:

- (d)100MICROINCH MINIMUM BRIGHT TIN ON THE METAL SHELL,AND 50MICROINCH MINIMUM NI AND 100MICROINCH MINIMUM CU PLATE.
- (e)100MICROINCH MINIMUM MATTE TIN ON THE METAL SHELL,AND 50MICROINCH MINIMUM NI AND 100MICROINCH MINIMUM CU PLATE.

- 3.RECOMMENDED PCB THICKNESS:1.60 ±0.05mm
- 4.PRODUCT SPECIFICATION REFER TO PS-89485
- 5. TRAY PACKAGING SPECIFICATION REFER TO PK-89485-002
- TUBE PACKAGING SPECIFICATION REFER TO PK-89485-001
- TUBE PACKAGING P/N PLEASE REFER TO SHEET 2.3

DIMENSION A*	P/N	PLATING	TERMINAL CONTACT PLATING	TERMINAL
+0.35 2.00 -0.15	89485-8000	SEE NOTES(a)+(d)	GOLD FLASH	
	89485-8001	SEE NOTES(b)+(d)	30 MICRO INCH GOLD	75 MICRO
	89485-8002	SEE NOTES(a)+(d)	GOLD FLASH	
+0.35 2.50 -0.10	89485-8003	SEE NOTES(b)+(d)	30 MICRO INCH GOLD	75 MICRO
	89485-8012	SEE NOTES(c)+(e)	GOLD FLASH	

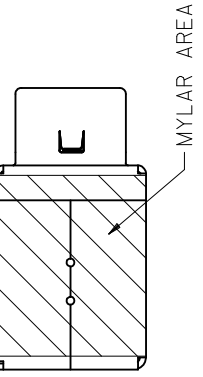


REV	DESCRIPTION	DATE	APPR: A YIN	DATE	APPR: R ZHANG	DATE	APPR: R ZHANG	DATE
1		2015/07/29		2015/07/29		2015/07/29		2015/08/24

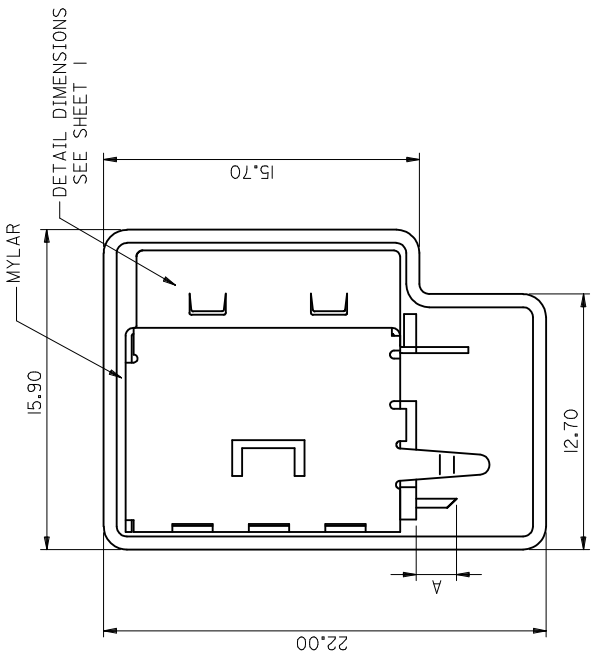
QUALITY SYMBOLS	GENERAL TOLERANCES (UNLESS SPECIFIED)	INCH	MM
∇ F=0	4 PLACES ±	±	±
∇ F=0	3 PLACES ±	±	±
∇ F=0	2 PLACES ±	± 0.25	± 0.10
	1 PLACE ±	± 0.25	± 0.10
	0 PLACE ±	±	±

SCA	DIMENSION STYLE	MM ONLY	DATE	TITLE
1:1			DAVID HU	
			CHECKED BY	DATE
			RZHANG	
			APPROVED BY	DATE
			MATERIAL NO.	DOCUMENT
			SEE TABLE	
			SIZE	THIS DRAWING CONTAINS IF
			A3	INCORPORATED AND SHOULD

10 9 8 7 6 5 4 3



NOTE:
 1. DETAIL DIMENSIONS, PLEASE REFERENCE SHEET 1
 2. THE TUBE PACKAGE INCLUDE TWO
 3. TUBE PACKAGING SPECIFICATION



PART NUMBER LEGEND:

MATERIAL NUMBER	DIMENSION "A"	PLATING SPECIFICATION
89485-8100	2.00 +0.35 -0.15	GOLD FLASH PLATING ON CONTACT AREA
89485-8101		30 MICRO INCH GOLD PLATING ON CONTACT AREA
89485-8102	2.50 +0.35 -0.10	GOLD FLASH PLATING ON CONTACT AREA
89485-8103		30 MICRO INCH GOLD PLATING ON CONTACT AREA

P/N FOR TUBE PACKING AND MYLAR ADDITION

MATERIAL NUMBER	DIMENSION "A"	PLATING SPECIFICATION
89485-8100	2.00 +0.35 -0.15	GOLD FLASH PLATING ON CONTACT AREA
89485-8101		30 MICRO INCH GOLD PLATING ON CONTACT AREA
89485-8102	2.50 +0.35 -0.10	GOLD FLASH PLATING ON CONTACT AREA
89485-8103		30 MICRO INCH GOLD PLATING ON CONTACT AREA

EC NO: SH2016-0035	DRWN:RZHANG 2015/07/29	CHKD:RZHANG 2015/07/29	APPR:AYIN 2015/08/24	REV
SEE SHEET 1	SEE SHEET 1	SEE SHEET 1	SEE SHEET 1	DESCRIPTION

QUALITY SYMBOLS	GENERAL TOLERANCES (UNLESS SPECIFIED)	DIMENSION STYLE
$\nabla A=0$	mm INCH	MM ONLY
$\nabla B=0$	4 PLACES ± --- ± ---	DRAWN BY DAVID HU
$\nabla C=0$	3 PLACES ± --- ± ---	CHECKED BY RZHANG
	2 PLACES ± 0.25 ± 0.10	APPROVED BY
	1 PLACE ± 0.25 ± 0.10	DATE
	0 PLACE ± ±	MATERIAL NO.

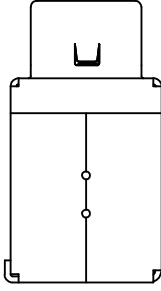
ANGULAR ± 3°
 DRAFT WHERE APPLICABLE MUST REMAIN WITHIN DIMENSIONS

SEE SHEET 1

THIS DRAWING CONTAINS INCORPORATED AND SHOULD

10 9 8 7 6 5 4 3

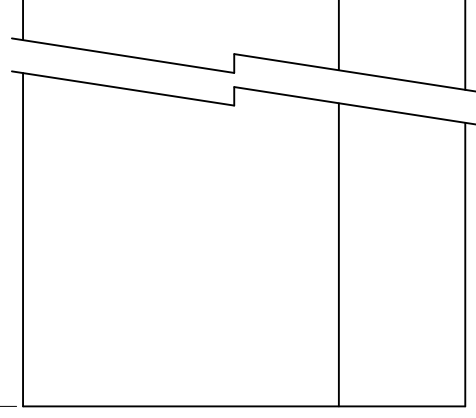
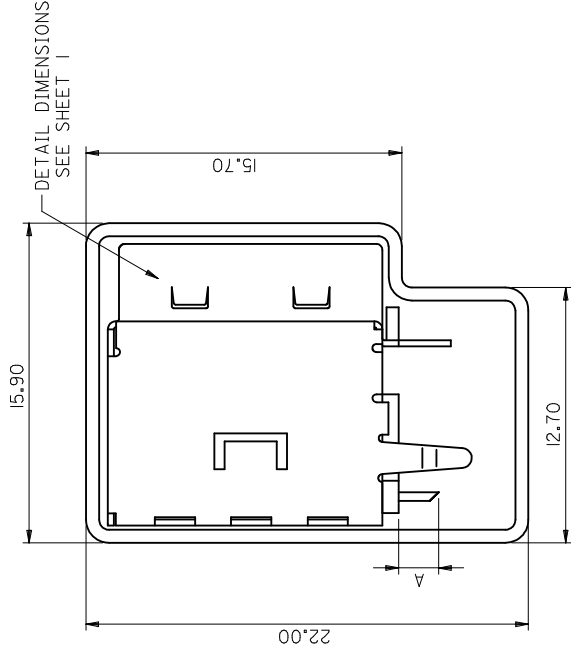
10 9 8 7 6 5 4 3



NOTE:

1. DETAIL DIMENSIONS , PLEASE REFERENCE SHEET 1
2. THE TUBE PACKAGE INCLUDE TWO CONTACTS
3. TUBE PACKAGING SPECIFICATION P/N 89485-8200

560±1



PART NUMBER LEGEND:

P/N FOR TUBE PACKING	
MATERIAL NUMBER	DIMENSION *A*
89485-8200	2.00 +0.35 -0.15
89485-8201	30 MICRO INCH GOLD PLATING ON CONTACT AREA
89485-8202	2.50 +0.35 -0.10
89485-8203	30 MICRO INCH GOLD PLATING ON CONTACT AREA

EC NO: SH2016-0035	DRWN:RZHANG 2015/07/29	CHKD:RZHANG 2015/07/29	APP:AYIN 2015/08/24
SEE SHEET 1			

QUALITY SYMBOLS	DESCRIPTION
$\nabla = 0$	
$\nabla = 0$	
$\nabla = 0$	

GENERAL TOLERANCES (UNLESS SPECIFIED)	
mm	INCH
4 PLACES ± ---	± ---
3 PLACES ± ---	± ---
2 PLACES ± 0.25	± .010
1 PLACE ± 0.25	± .010
0 PLACE ±	±
ANGULAR ± 3 °	

DRAFT WHERE APPLICABLE MUST REMAIN WITHIN DIMENSIONS

DIMENSION STYLE	
MM ONLY	DATE
DRAWN BY	DATE
DAVID HU	
CHECKED BY	DATE
RZHANG	
APPROVED BY	DATE

MATERIAL NO. SEE SHEET 1

SIZE THIS DRAWING CONTAINS INCORPORATED AND SHOULD

10 9 8 7 6 5 4 3

Looking for pricing, stock, or lifecycle information?

Click below to explore more details on WIN SOURCE:

 [View 894858002 on WIN SOURCE](#)

 [Molex, LLC Information](#)

Optimize Your Supply Chain with WIN SOURCE Solutions

-  Global Sourcing Solution
-  Obsolete Management
-  Cost Control Management
-  Shortage Management
-  Alternative Solution
-  Excess Inventory Management