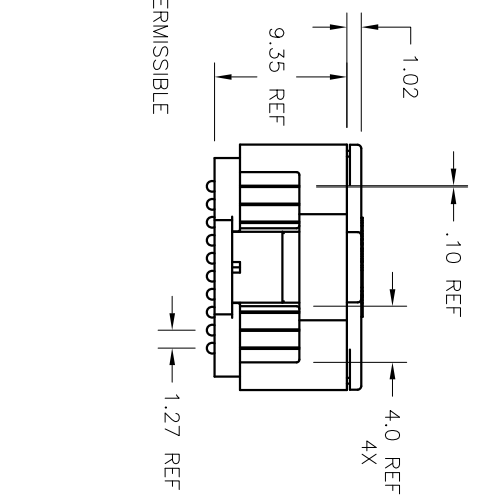
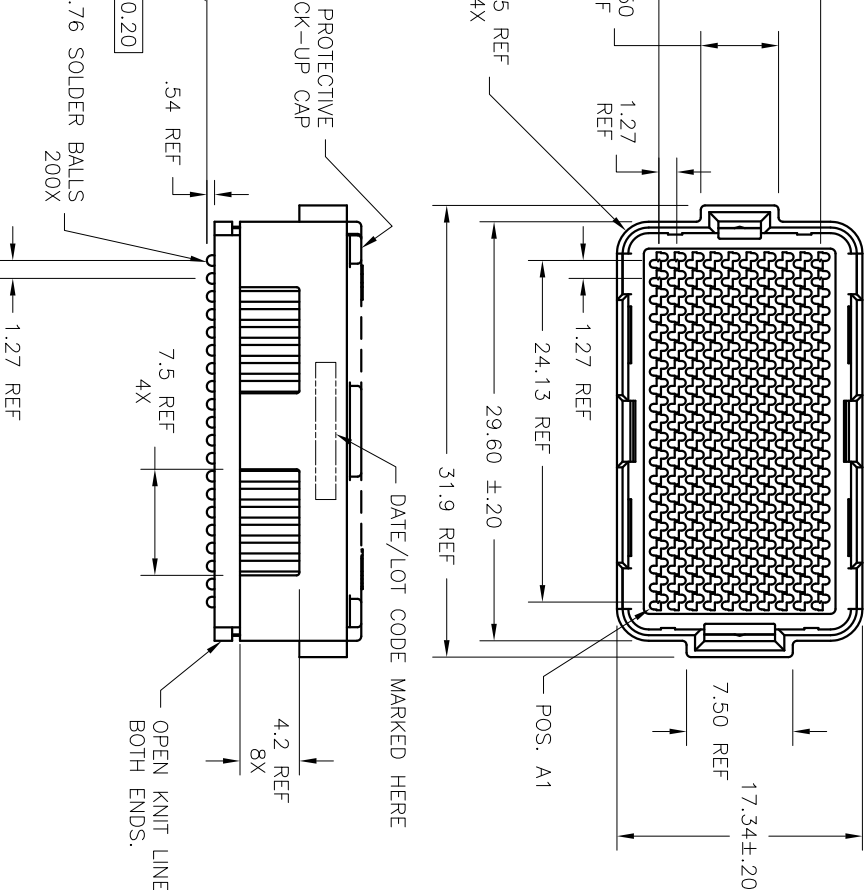




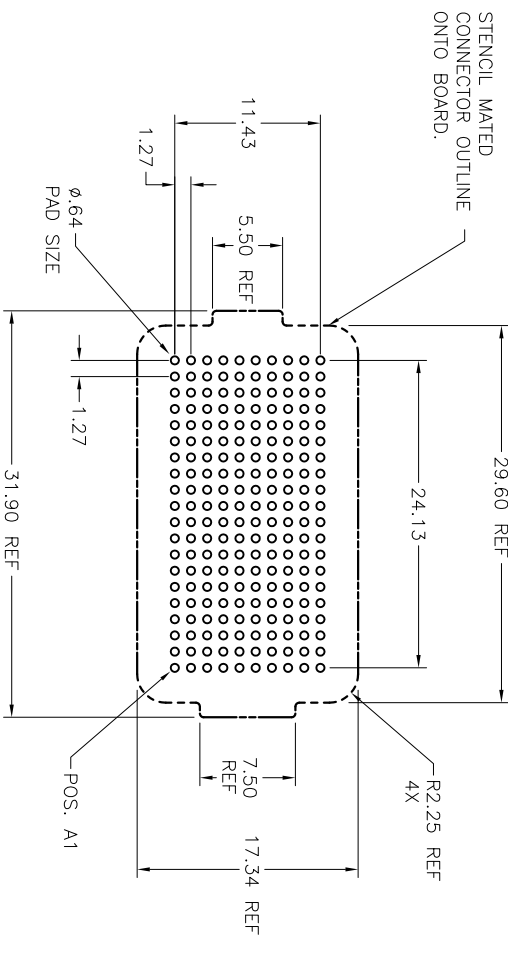
THE DATASHEET OF
84530-102LF





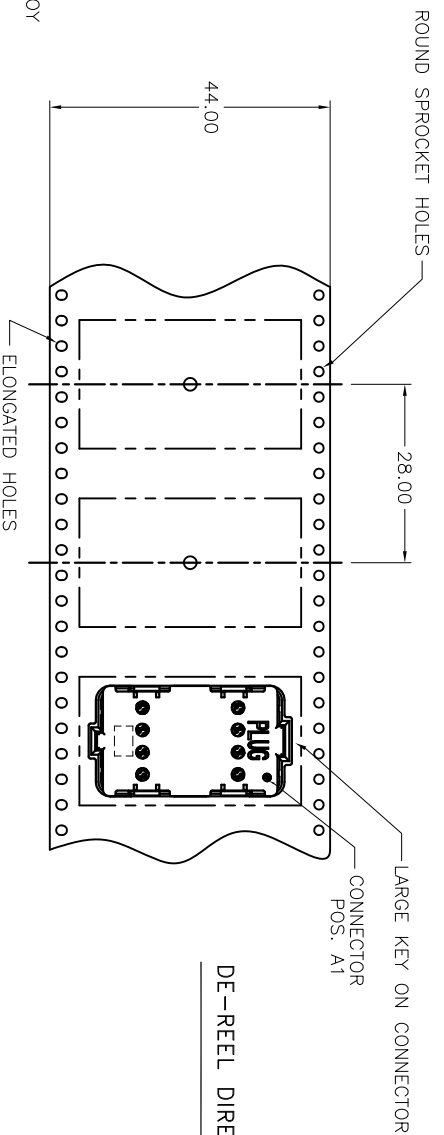
mat'l. code	SEE NOTE 1	surface	tolerance	projection	product family
lfr	eqn no. dfr date	ASME Y14.5	ASME Y14.5		MEG-Arroy
H	V11-.0029 HTB 2016-06-06	angles	X ±3	MM	6.0mm PLUG ASSEMBLY
J	V12-.0024 HTB 2015-04-03	XX ±10			
K	V12-.0030 RE 2012-08-06	Ø ±.2	XX ±.050	Scale 1:1	10 X 20 = 200 POSITIONS
L	V12-.0048 DCH 2012-11-20	dfr	D. WAUGHEN 1999-09-08		Sheet 1 of 3
		pngr	B. SPINK 1999-09-08		Size
F	V06-.0560 LP 2006-07-14	ctr	B. SPINK 1999-09-08		A4
G	V07-.0641 LP 2007-03-23	qpdd	B. SPINK 1999-09-08		
Sheet	revision	L	L	L	
index	Sheet	1	2	3	

CONTACT PLATING AND THICKNESS	SOLDER BALL	NOTES
15µ" (.38µm) Au	SnPb	6
15µ" (.38µm) Au	LEAD FREE	6
15µ" (.38µm) GXT	SnPb	6
15µ" (.38µm) GXT	LEAD FREE	6
30µ" (.76µm) Au	SnPb	6
30µ" (.76µm) Au	LEAD FREE	6
30µ" (.76µm) GXT	SnPb	6
30µ" (.76µm) GXT	LEAD FREE	6
50µ" (1.27µm) Au SPECIAL	SnPb	3 AND 4
50µ" (1.27µm) Au SPECIAL	LEAD FREE	3, 4 AND 6
50µ" (1.27µm) GXT SPECIAL	SnPb	3 AND 4
50µ" (1.27µm) GXT SPECIAL	LEAD FREE	3 AND 6
30µ" (.76µm)	SnPb	7
30µ" (.76µm)	LEAD FREE	6 AND 7
15µ" (.38µm) Au SPECIAL	SnPb	7
15µ" (.38µm) Au SPECIAL	LEAD FREE	6 AND 7
30µ" (.76µm) Au SPECIAL	SnPb	7
30µ" (.76µm) Au SPECIAL	LEAD FREE	6 AND 7
Au SPECIAL	SnPb	3, 4 AND 7
Au SPECIAL	LEAD FREE	3, 4, 6 AND 7



mat'l. code	SEE NOTE 1	surface	tolerance	projection	product family
litr	eqn no	dr	date	ASME Y14.5	MEG-Arroy
				ASME Y14.5	
		angles	XX #10	X #3	
		or #2	XXX #050	MM	
		dr	D. WAUGHEN 1999-09-08	Scale 1:1	
		enqr	B. SPINK 1999-09-08		
		cltr	B. SPINK 1999-09-08		
		apdd	B. SPINK 1999-09-08		
sheet index	revision				

BOARD PATTERN



T. P/N	-2XX PLATING
7	SEE NOTE 2
4	
5	SEE NOTE 3

ROUND SPROCKET HOLES
 ELONGATED HOLES
 LARGE KEY ON CONNECTOR
 CONNECTOR POS. A1
 DE-REEL DIRECTION

- ⑥ THIS PRODUCT MEETS EUROPEAN UNION DIRECTIVES AND OTHER COUNTRY REGULATIONS AS DESCRIBED IN GS-47-0004 PRODUCT MEETING THIS DIRECTIVE IS IDENTIFIED IN THE LOT CODE NUMBER MARKED ON EACH PART BY HAVING AN "X" IN THE SEVENTH CHARACTER POSITION.
- ⑦ 84530-A02 AND -A02LF ARE CUSTOMER SPECIALS.

-2XX SERIES PART NOS.
 S OF GR-1217-CORE;
 NMENT, (25 YEAR LIFE EXPECTANCY).
 -2XX SERIES PART NOS. IS
 AL CONTACT GEOMETRY TO MEET
 CRDIA GR-1217-CORE;
 NMENT.

ON FOLLOW FCI APPLICATION
 33 LEAD FREE SOLDER BALLS WILL
 IN A LEADED SOLDER PROCESS
 OW TEMPERATURE. LEAD FREE
 NOT BACKWARDS COMPATIBLE WITH
 DERING APPLICATIONS. REFERENCE
 CATION.

12. A symbol will be next to any dimension, new view or note which has been modified with the current drawing revision

mat'l code	SEE NOTE 1	surface	tolerance	projection	product family
litr	gen no	dr	date	ASME Y14.5	MEG-Arroy
				ASME Y14.5	
		angles	XX #3	MM	6.0mm PLUG ASSEMBLY
		dr	XX #10	Scale 1:1	10 X 20 = 200 POSITIONS
		dr	XXX #050		Sheet 3 of 3
		dr	D. WAUGHEN 1999-09-08		Size
		dr	B. SPINK 1999-09-08		A4
		dr	B. SPINK 1999-09-08		
		dr	B. SPINK 1999-09-08		
Sheet	revision				
index	Sheet				

Looking for pricing, stock, or lifecycle information?

Click below to explore more details on WIN SOURCE:

 [View 84530-102LF on WIN SOURCE](#)

 [Amphenol FCI Information](#)

Optimize Your Supply Chain with WIN SOURCE Solutions

-  Global Sourcing Solution
-  Obsolete Management
-  Cost Control Management
-  Shortage Management
-  Alternative Solution
-  Excess Inventory Management