



**THE DATASHEET OF**  
**84500-102LF**



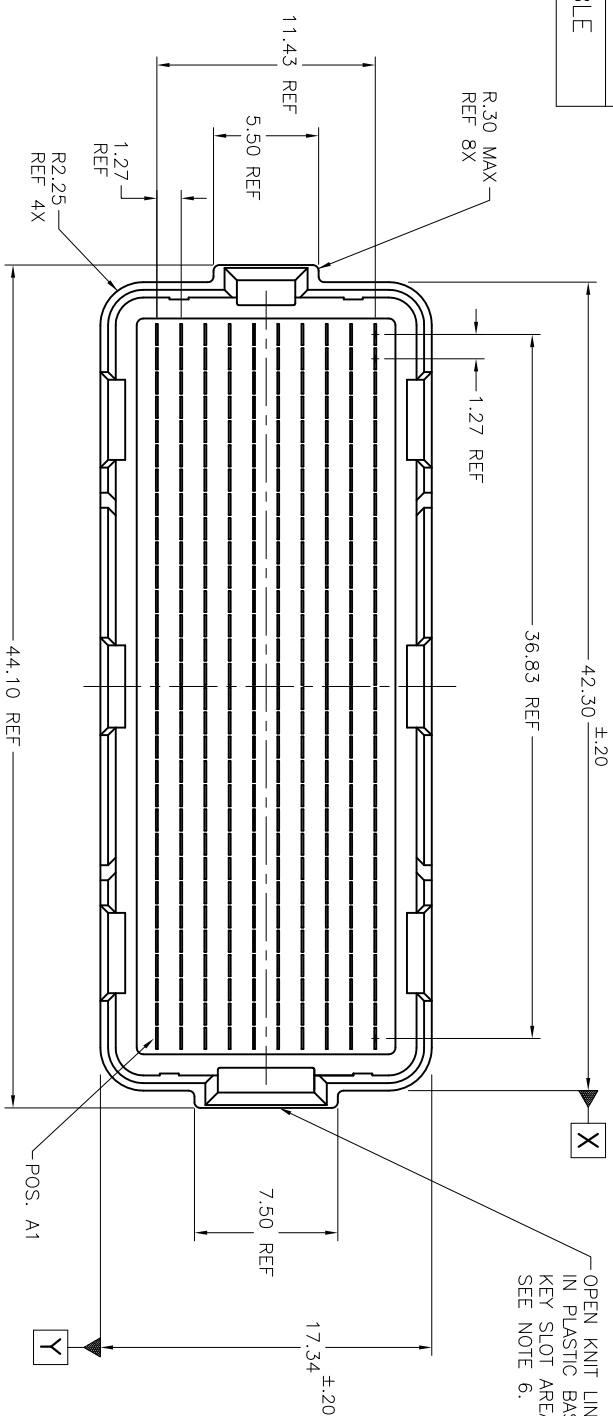


Copyright FD

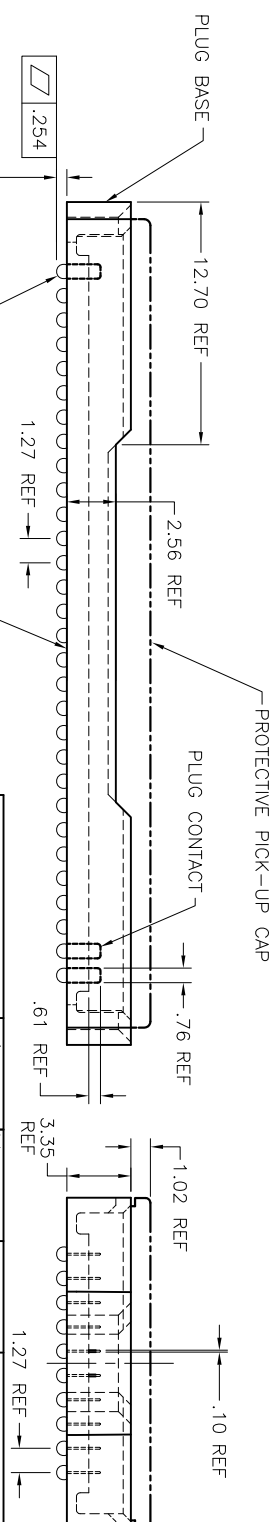


FCIconnect.com

PRODUCT NUMBER  
SEE TABLE



OPEN KNIT LINES PERMISSIBLE IN PLASTIC BASE COMPONENT KEY SLOT AREAS (BOTH ENDS). SEE NOTE 6.



NOTE 2  
 $\phi .760$  SOLDER BALLS

CONTINUOUS OPEN KNIT LINE CRACKS (TRAVERSING THE ENTIRE BODY LENGTH OF THE CONNECTOR) WHICH CAUSE CRITICAL-TO-FUNCTION DIMENSIONAL CHANGES THAT AFFECT THE CONNECTORS MECHANICAL ALIGNMENT FEATURES ARE NOT PERMISSIBLE. SEE NOTE 6.

Mat'l code	SEE NOTE 1	date	surface	tolerance	projection	product family	title
lfr	ecm no.	dfr	ASPE Y14.5	ASPE Y14.5	MM	MEG-ARRAY	Omm PLUG ASSEMBLY
k	v06-0560	lp	2006-07-14	angles	3:1		10 X 30 = 300 POSITIONS
l	v11-0029	htb	2011-06-06	tolerances unless otherwise specified	Scale: 3:1		Sheet 1 of 5
m	v12-0030	sj	2012-08-06	XXX.051	FCI		84500
n	v12-0036	dch	2012-11-13	D. WAUGHEN			A4
p	v1-18084	dch	2014-6-25	D. HARPER			CUSTOMER Drawing
r	v-21139	rwb	2015-06-12	D. HARPER			
s	v-33905	rwb	2019-06-04	D. HARPER			
Sheet	revision	S	S	S	S		
index	Sheet	1	2	3	4	5	

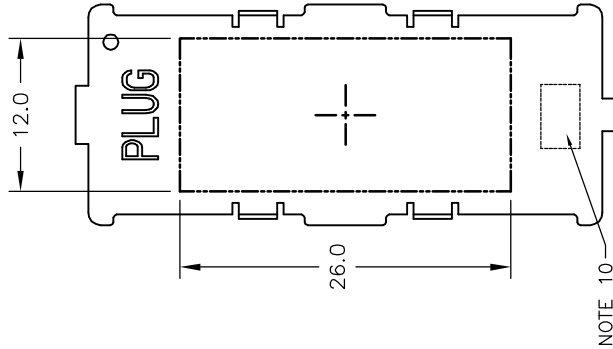
form: AsmXLIC 1 2 3 4

PRODUCT NUMBER
SEE TABLE

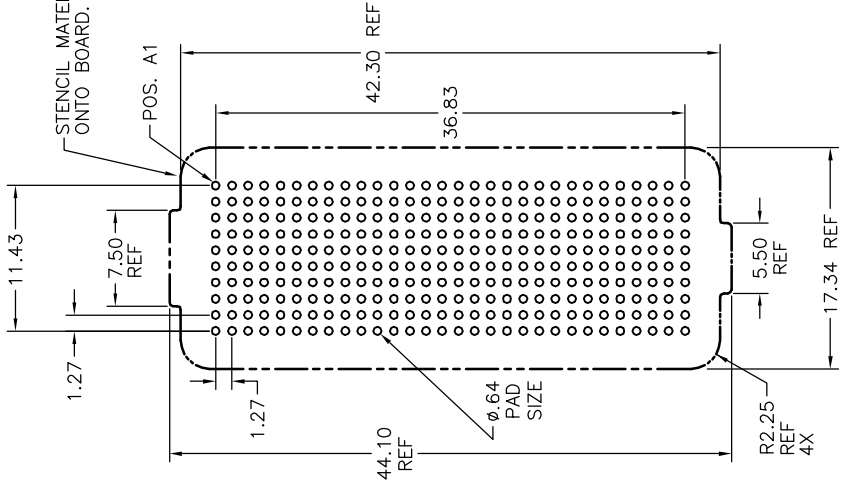
1 2

3

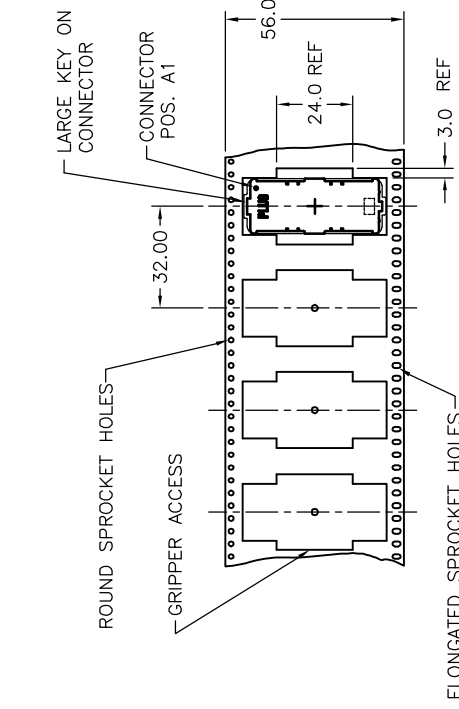
4



FLAT AREA FOR PICK-UP CAP



POS. A1



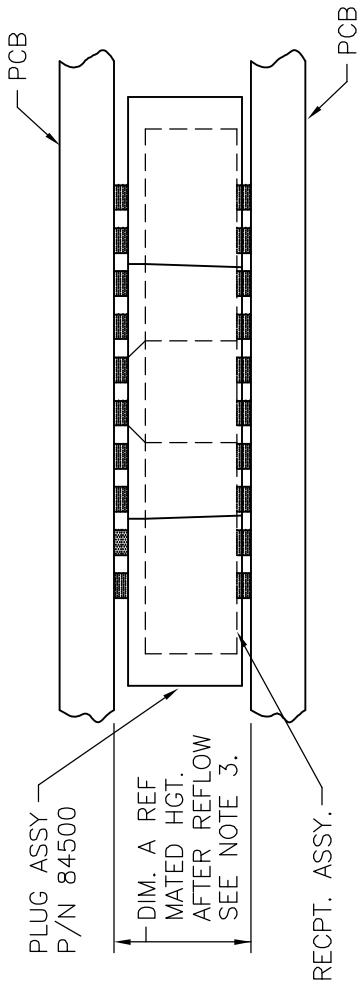
DE-REEL DIRECTION

TAPE & REEL PACKAGING SCALE: NONE  
PER EIA 481-3

BOARD PATTERN

mat'l. code	SEE NOTE 1	Surface	tolerance	projection	product family
lit	ecdn. no	ASME Y14.5	ASME Y14.5	MM	MEG-ARRAY
S	date	tolerances unless otherwise specified	XX*3	MM	title
		angles	XX*8	scale	0mm PLUG ASSEMBLY
		0° ±2°	XXX.051	2:1	10 X 30 = 300 POSITIONS
		0°	D. WAUGHEN	sheet	2 of 5 size
		0°	D. HARPER	84500	A4
		0°	D. HARPER	type	CUSTOMER Drawing
sheet	revision				
index	sheet				

PRODUCT NUMBER	SEE TABLE
----------------	-----------



MATED HEIGHT TABLE		
DIM. A	RECPT. ASSY. P/N	-2XX PLATING
4.0	84501	SEE NOTE 4.
5.5	84502	*
8.0	84553	SEE NOTE 5.

\* 84502 NOT AVAILABLE IN TELCORDIA/NORTEL VERSION.

MATED HEIGHT AFTER REFLOW IS BASED ON  $\phi$  .64mm PAD (METAL-DEFINED) AND .13mm SOLDER PASTE STENCIL THICKNESS. SEE NOTE 3.

END VIEW - MATED CONNECTORS SCALE: NONE

mat'l. code	SEE NOTE 1	Surface	tolerance	projection	product family
itr	ec'n. no	ASME Y14.5	ASME Y14.5		MEG-ARRAY
S	date	tolerances unless otherwise specified	XX	MM	title
		angles	XX*B	scale	0mm PLUG ASSEMBLY
		0° ±2'	XXX.051	2:1	10 X 30 = 300 POSITION
		0°	D. WAUGHEN	sheet	3 of 5 size
		0°	D. HARPER	type	84500
		0°	D. HARPER		A4
		0°	D. HARPER		CUSTOMER Drawing
sheet	revision				
index	sheet				



PRODUCT NUMBER	PICK-UP CAP (NATURAL OR BLACK IN COLOR)	CONTACT PLATING AND THICKNESS	SOLDER BALL	NOTES
84500-002	YES	15µ" (.38µm) Au	SnPb	
84500-002LF	YES	15µ" (.38µm) Au	LEAD FREE	7 & 8
84500-092	YES	15µ" (.38µm) GXT	SnPb	
84500-092LF	YES	15µ" (.38µm) GXT	LEAD FREE	7 & 8
84500-093	WITH VENT HOLES	15µ" (.38µm) GXT	SnPb	7 , 8
84500-093LF	WITH VENT HOLES	15µ" (.38µm) GXT	LEAD FREE	7 , 8
84500-102	YES	30µ" (.76µm) Au	SnPb	
84500-102LF	YES	30µ" (.76µm) Au	LEAD FREE	7 & 8
84500-192	YES	30µ" (.76µm) GXT	SnPb	
84500-192LF	YES	30µ" (.76µm) GXT	LEAD FREE	7 & 8
84500-202	YES	50µ" (1.27µm) Au SPECIAL	SnPb	4, & 5
84500-202LF	YES	50µ" (1.27µm) Au SPECIAL	LEAD FREE	4, 5, 7 & 8
84500-292	YES	50µ" (1.27µm) GXT SPECIAL	SnPb	4, & 5
84500-292LF	YES	50µ" (1.27µm) GXT SPECIAL	LEAD FREE	4, 5, 7, & 8
84500-A02	YES	30µ" (.76µm)	SnPb	9
84500-A02LF	YES	30µ" (.76µm)	LEAD FREE	7, 8 & 9

A

A

mat'l code	SnPb	surface	tolerance	projection	product family
SEE NOTE 1		ASME Y14.5	ASME Y14.5		MEG-ARRAY
ec'n no	date	tolerances unless otherwise specified		MM	title
S		angles	.XX-B	scale 2:1	Omm PLUG ASSEMBLY
		0° ±2'	.XXX-051		10 X 30 = 300 POSITIONS
		DT T. BREWBAKER 2011-06-06			dwg no sheet 4 of 5 size
		DT T. BREWBAKER 2011-06-06			84500 A4
		DT T. BREWBAKER 2011-06-06			type CUSTOMER Drawing
sheet index	revision sheet	app'd D. HORCHLER 2011-06-06			

B

B



PRODUCT NUMBER SEE TABLE
-----------------------------

NOTES:

- ① MATERIAL:  
HOUSING: LCP  
CONTACT: COPPER ALLOY  
  
PLATING:  
CONTACT: (SEE TABLE)  
SOLDER BALL: (SEE TABLE)  
EUTECTIC SnPb OR LEAD FREE  
95.5Sn/4Ag/0.5Cu
- ② SOLDER BALLS WILL NOT BE PERFECT SPHERICAL SHAPE DUE TO REFLOW ATTACHMENT.
- ③ MATED HEIGHT EFFECTED BY CUSTOMER'S PCB PAD SIZE, PLATING, SOLDER REFLOW PROFILE, & SOLDER PASTE.
- ④ PLATING FOR INDICATED -2XX SERIES PRODUCT NUMBERS MEET THE REQUIREMENTS OF (GR-1217-CORE, CENTRAL OFFICE ENVIRONMENT, 25 YEAR LIFE EXPECTANCY).
- ⑤ PLATING FOR INDICATED -2XX SERIES PART NOS. IS Au OVER Ni WITH SPECIAL CONTACT GEOMETRY TO MEET REQUIREMENTS OF TELCORDIA GR-1217-CORE: CENTRAL OFFICE ENVIRONMENT.
- ⑥ KNIT LINE: SLIGHT VISIBLE MARKS (USUALLY A LINE) INDICATING THE DIRECTION AND MEETING POINT OF PLASTIC RESIN FLOW FRONTS TRAVELING AROUND ANY OBSTRUCTIONS TO THE RESIN FLOW VIA THE REQUIRED MOLD TOOLING.

- ⑦ FOR PROPER APPLICATION FOLLOW FCI APPLICATION SPECIFICATION GS-20-033 LEAD FREE SOLDER BALLS WILL NOT SOLDER PROPERLY IN A LEADED SOLDER PROCESS DUE TO A HIGHER REFLOW TEMPERATURE. LEAD FREE PRODUCT IS THEREFORE NOT BACKWARDS COMPATIBLE WITH LEADED OR SOME SOLDERING APPLICATIONS. REFERENCE FCI APPLICATION SPECIFICATION.
- ⑧ THIS PRODUCT MEETS EUROPEAN UNION DIRECTIVES AND OTHER COUNTRY REGULATIONS AS DESCRIBED IN GS-47-0004 PRODUCT MEETING THIS DIRECTIVE IS IDENTIFIED IN THE LOT CODE NUMBER MARKED ON EACH PART BY HAVING AN "X" IN THE SEVENTH CHARACTER POSITION.
- ⑨ 84500-A02 AND -A02LF ARE CUSTOMER SPECIALS.
- ⑩ CURRENT COMPANY LOGO TO BE VISIBLE IN APPROXIMATE AREA SHOWN.

11. A  SYMBOL WILL BE NEXT TO ANY DIMENSION, NEW VIEW OR NOTE WHICH HAS BEEN MODIFIED WITH THE CURRENT DRAWING REVISION

mat'l code	SEE NOTE 1	surface	tolerance	projection	product family
lit	date	ASME Y14.5	ASME Y14.5		MEG-ARRAY
S		tolerances unless otherwise specified		MM	title
		angles	X*3	MM	10 X 30 = 300 POSITIONS
		0° ±2'	XXX-B	scale	dwg no 84500
		0° ±2'	XXX-051	2:1	sheet 5 of 5 size
		0° ±2'	T. BREWBAKER 2011-06-06		A4
		0° ±2'	BTGT T. BREWBAKER 2011-06-06	type	CUSTOMER Drawing
		0° ±2'	BTGT T. BREWBAKER 2011-06-06		
		0° ±2'	BTGT T. BREWBAKER 2011-06-06		
		0° ±2'	D. HORSCHLER 2011-06-06		
sheet	revision				
index	sheet				

## Looking for pricing, stock, or lifecycle information?

Click below to explore more details on WIN SOURCE:

 [View 84500-102LF on WIN SOURCE](#)

 [Amphenol FCI Information](#)

## Optimize Your Supply Chain with WIN SOURCE Solutions

-  Global Sourcing Solution
-  Obsolete Management
-  Cost Control Management
-  Shortage Management
-  Alternative Solution
-  Excess Inventory Management