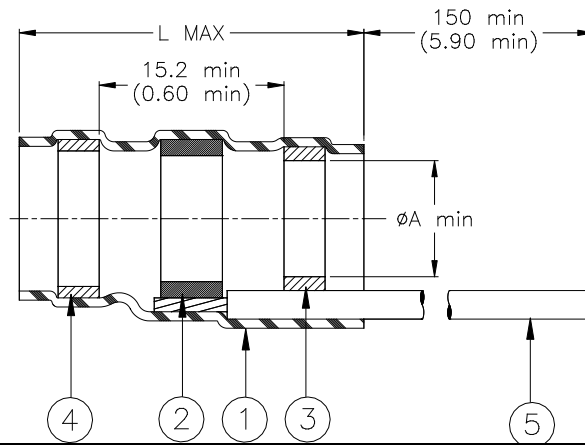


CUSTOMER DRAWING



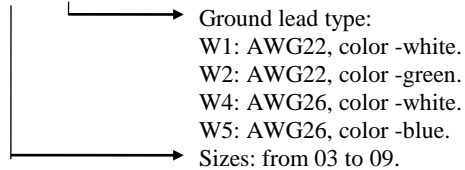
Product Revision		Product Dimensions		Cable Dimensions		
Product Name		L max	ϕA min	ϕB max	ϕC min	ϕD min
CWT-3803-WX	B	42.0 (1.655)	2.7 (0.105)	2.7 (0.105)	1.8 (0.070)	1.3 (0.050)
CWT-3805-WX	A	42.0 (1.655)	4.5 (0.180)	4.5 (0.180)	2.3 (0.090)	1.8 (0.070)
CWT-3806-WX	B	42.0 (1.655)	6.0 (0.235)	6.0 (0.235)	3.3 (0.130)	2.8 (0.110)
CWT-3807-WX	A	42.0 (1.655)	7.0 (0.275)	7.0 (0.275)	3.7 (0.145)	3.2 (0.125)
CWT-3809-WX	C	42.0 (1.655)	8.7 (0.340)	8.7 (0.340)	4.2 (0.165)	3.7 (0.145)

MATERIALS

- INSULATION SLEEVE: Heat-shrinkable, transparent clear, radiation cross-linked modified polyolefin.
- SOLDER PREFORM WITH FLUX:
SOLDER: TYPE Cd18 per ANSI-J-STD-006.
FLUX: TYPE ROM1 per ANSI-J-STD-004.
- MELTABLE RING: Thermally stabilized thermoplastic. Color: True Grey or Natural.
- MELTABLE RING: Thermally stabilized thermoplastic. Color: Blue.
- GROUND LEAD: W1/W2: Raychem 35C0211 tin plated copper, W4/W5: MIL-W-81822/13 solid silver plated copper.

Part number:

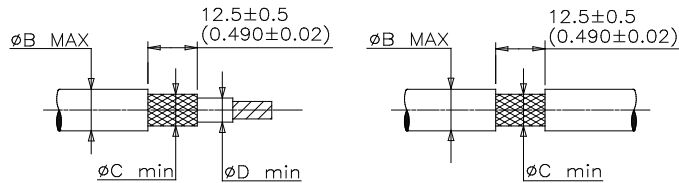
CWT-38XX-WX



APPLICATION

- These controlled soldering devices are designed for termination of bare or tin plated copper shield on a cable, rated for at least +85°C.
- Temperature range: -55°C to +125°C. For installation procedure and application equipment, consult RPIP-824-00.

For best results, prepare the cable as shown:



		Raychem Devices		TITLE: SOLDERSLEEVE ONE STEP SHIELD TERMINATION LOW TEMPERATURE			
<small>UNLESS OTHERWISE SPECIFIED DIMENSIONS ARE IN MILLIMETERS. INCHES DIMENSIONS ARE BETWEEN BRACKETS.</small>				DOCUMENT NO.: CWT-38XX-WX			
<small>TOLERANCES: 0.00 N/A 0.0 N/A 0 N/A</small>	<small>ANGLES: N/A</small>	<small>Raychem reserves the right to amend this drawing at any time. Users should evaluate the suitability of the product for their application.</small>		<small>ECO No: ECO-17-016860</small>	<small>REPLACES: D000162</small>		
<small>DRAWN BY: M. FORONDA</small>	<small>DATE: 15-November-2017</small>	<small>PROD. REV.: SEE TABLE</small>	<small>DOC ISSUE: J</small>	<small>SCALE: None</small>	<small>SIZE: A</small>	<small>SHEET: 1 of 1</small>	

Looking for pricing, stock, or lifecycle information?

Click below to explore more details on WIN SOURCE:

 [View CWT-3807-W1-202-7811 on WIN SOURCE](#)

 [TE Connectivity](#) Information

Optimize Your Supply Chain with WIN SOURCE Solutions

-  Global Sourcing Solution
-  Obsolete Management
-  Cost Control Management
-  Shortage Management
-  Alternative Solution
-  Excess Inventory Management