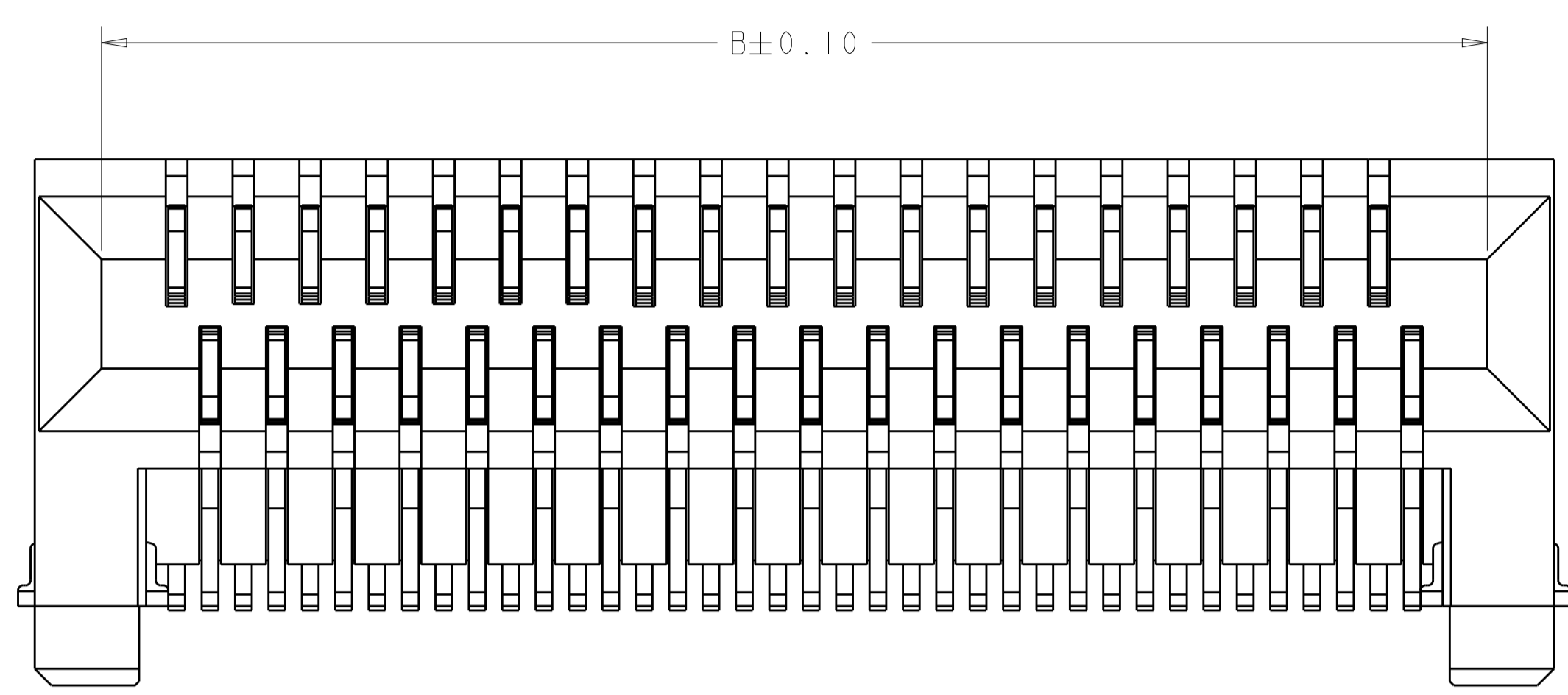
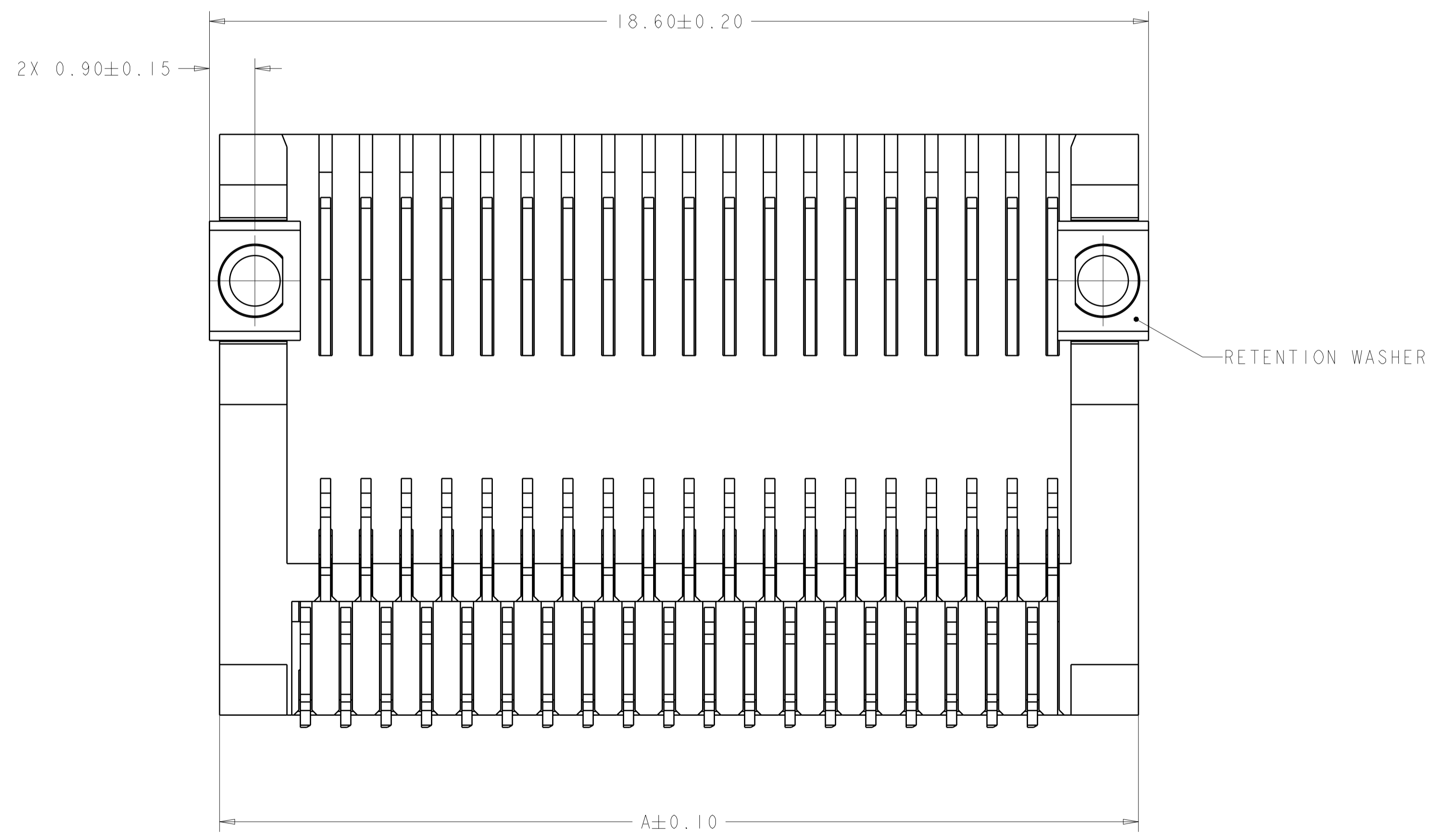
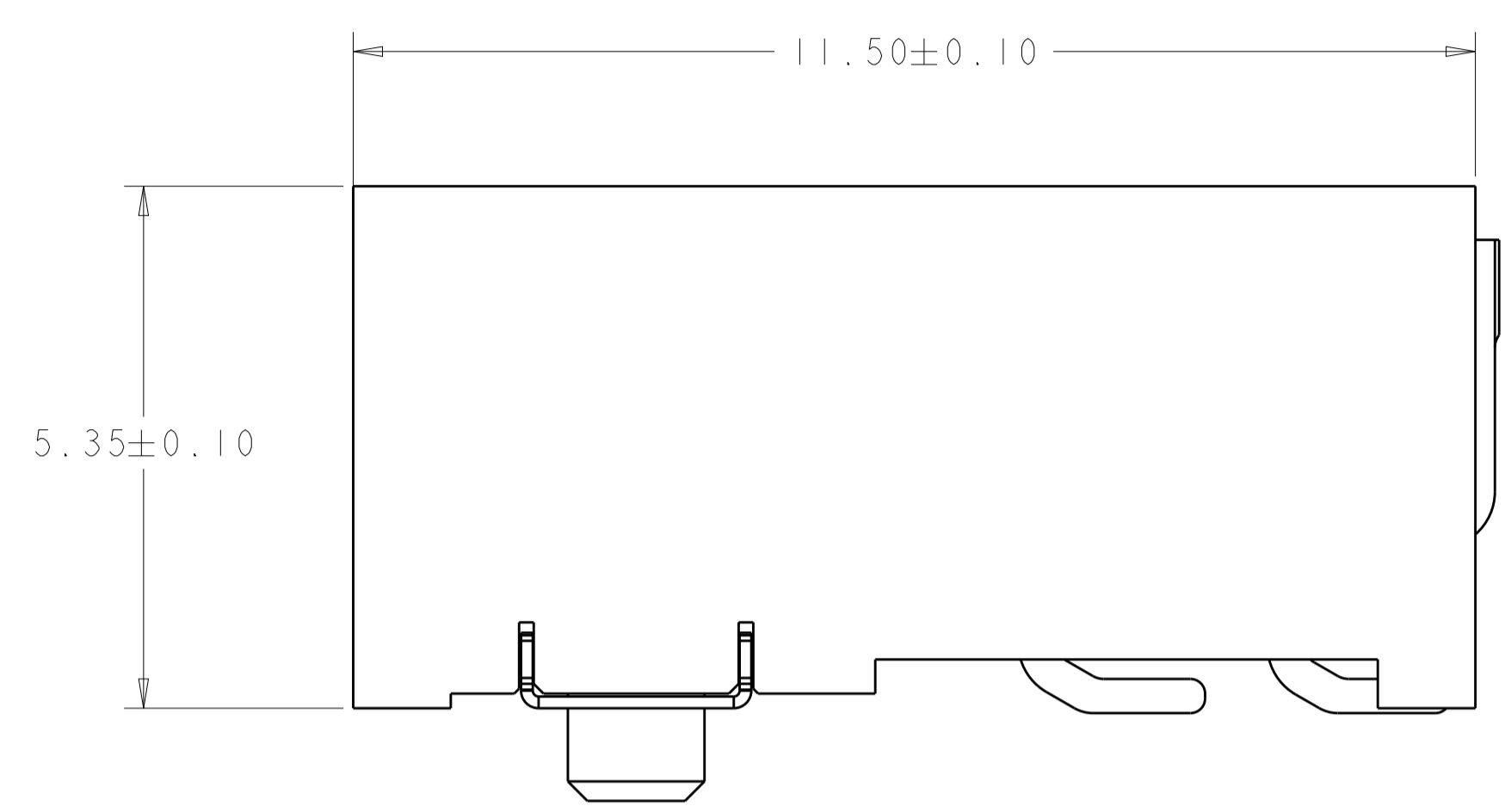


REVISIONS				
P.	LTN.	DESCRIPTION	DATE	APVD.
-	-	SEE SHEET 1	-	-



SCALE 15:1

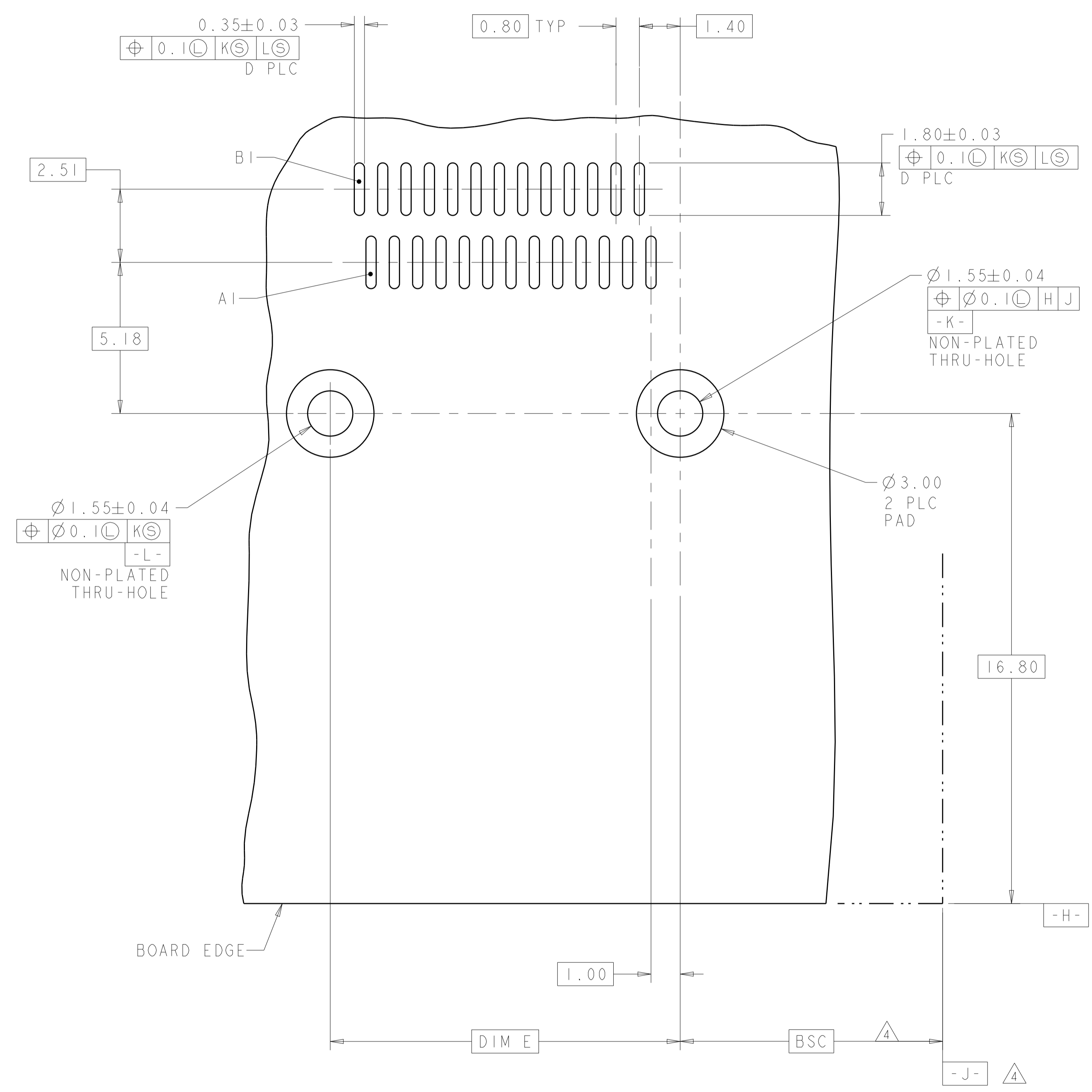


UN-SPECIFIED DIMENSION ALL REFER TO SHEET 1

5	38	16.8	38	8.4	16.6	18.1	38	1-2007570-6
3	38	16.8	38	8.4	16.6	18.1	38	2007570-7
FINISH	F	E	D	C	B	A	POSN	PART NUMBER

THIS DRAWING IS A CONTROLLED DOCUMENT.		DWN J. POLIGNONE 17JAN08 CHK E. BRIGHT 17JAN08 APVD F. BRIGHT 17JAN08	TE Connectivity
DIMENSIONS: mm 	TOLERANCES UNLESS OTHERWISE SPECIFIED: 0 PLC ± 1 PLC ±0.25 2 PLC ±0.13 3 PLC ± 4 PLC ± ANGLES ± FINISH	NAME EVERCLEAR Mini-SAS, CONNECTOR ASSEMBLY, RECEPTACLE, RIGHT ANGLE, SURFACE MOUNT PRODUCT SPEC APPLICATION SPEC SIZE CAGE CODE DRAWING NO. RESTRICTED TO A100779C=2007570	
MATERIAL TBD		WEIGHT CUSTOMER DRAWING	SCALE 15:1 SHEET 2 OF 3 REV B

REVISIONS				
P.	LTN	DESCRIPTION	DATE	APVD
-	-	SEE SHEET 1	-	-



RECOMMEND PCB LAYOUT
 SCALE 10:1

THIS DRAWING IS A CONTROLLED DOCUMENT.		DWN J. POLIGNONE 17JAN08	TE Connectivity
DIMENSIONS:		CHK E. BRIGHT 17JAN08	
mm	TOLERANCES UNLESS OTHERWISE SPECIFIED:	APVD E. BRIGHT 17JAN08	NAME EVERCLEAR Mini-SAS, CONNECTOR ASSEMBLY, RECEPTACLE, RIGHT ANGLE, SURFACE MOUNT
0 PLC ± 1 PLC ±0.25 2 PLC ±0.13 3 PLC ± 4 PLC ± ANGLES ±	FINISH	PRODUCT SPEC	APPLICATION SPEC
MATERIAL TBD		WEIGHT	RESTRICTED TO
CUSTOMER DRAWING		SCALE 10:1	SHEET 3 OF 3 REV B

Looking for pricing, stock, or lifecycle information?

Click below to explore more details on WIN SOURCE:

 [View 2007570-5](#) on WIN SOURCE

 [TE Connectivity](#) Information

Optimize Your Supply Chain with WIN SOURCE Solutions

-  Global Sourcing Solution
-  Obsolete Management
-  Cost Control Management
-  Shortage Management
-  Alternative Solution
-  Excess Inventory Management