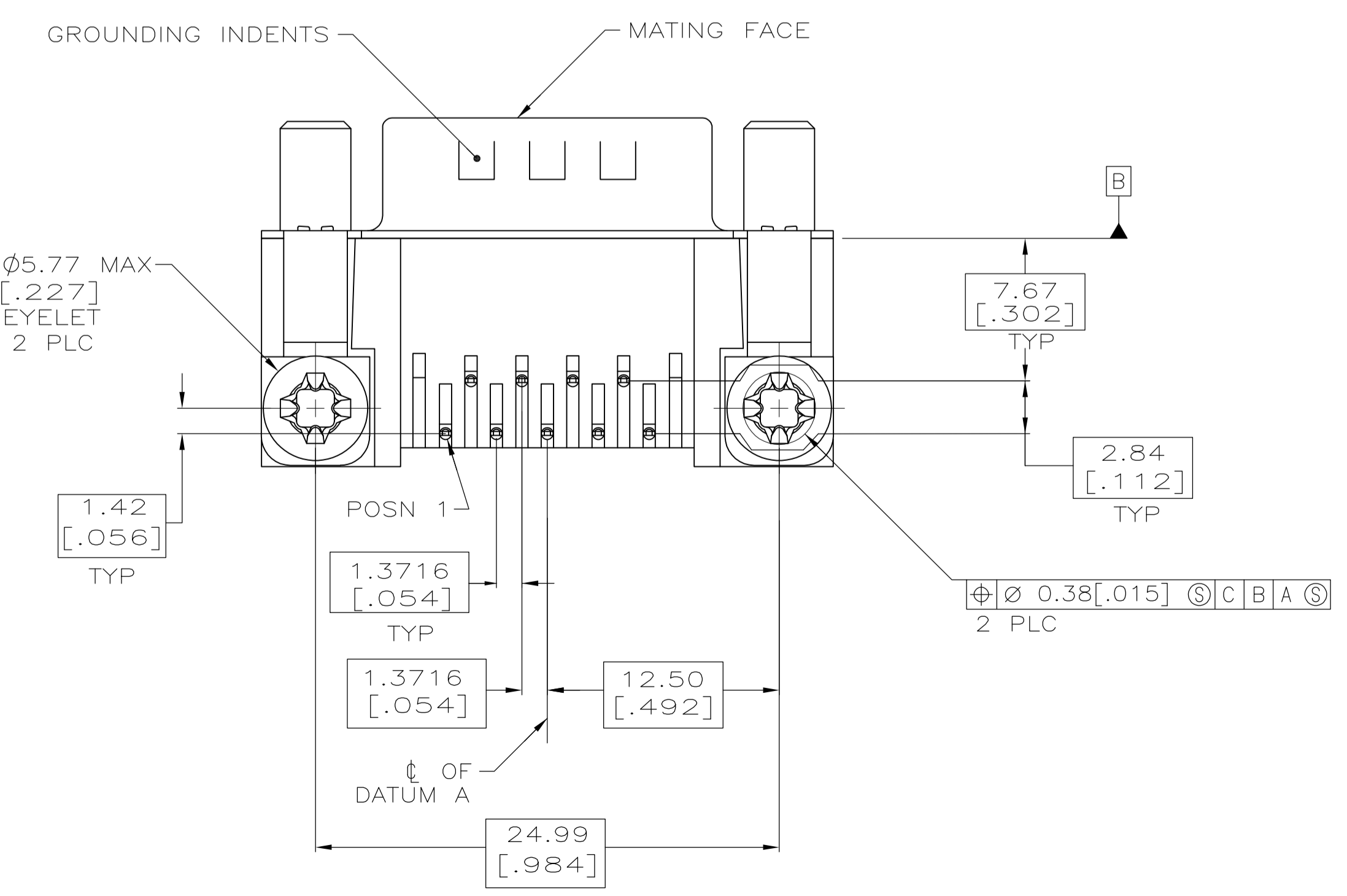
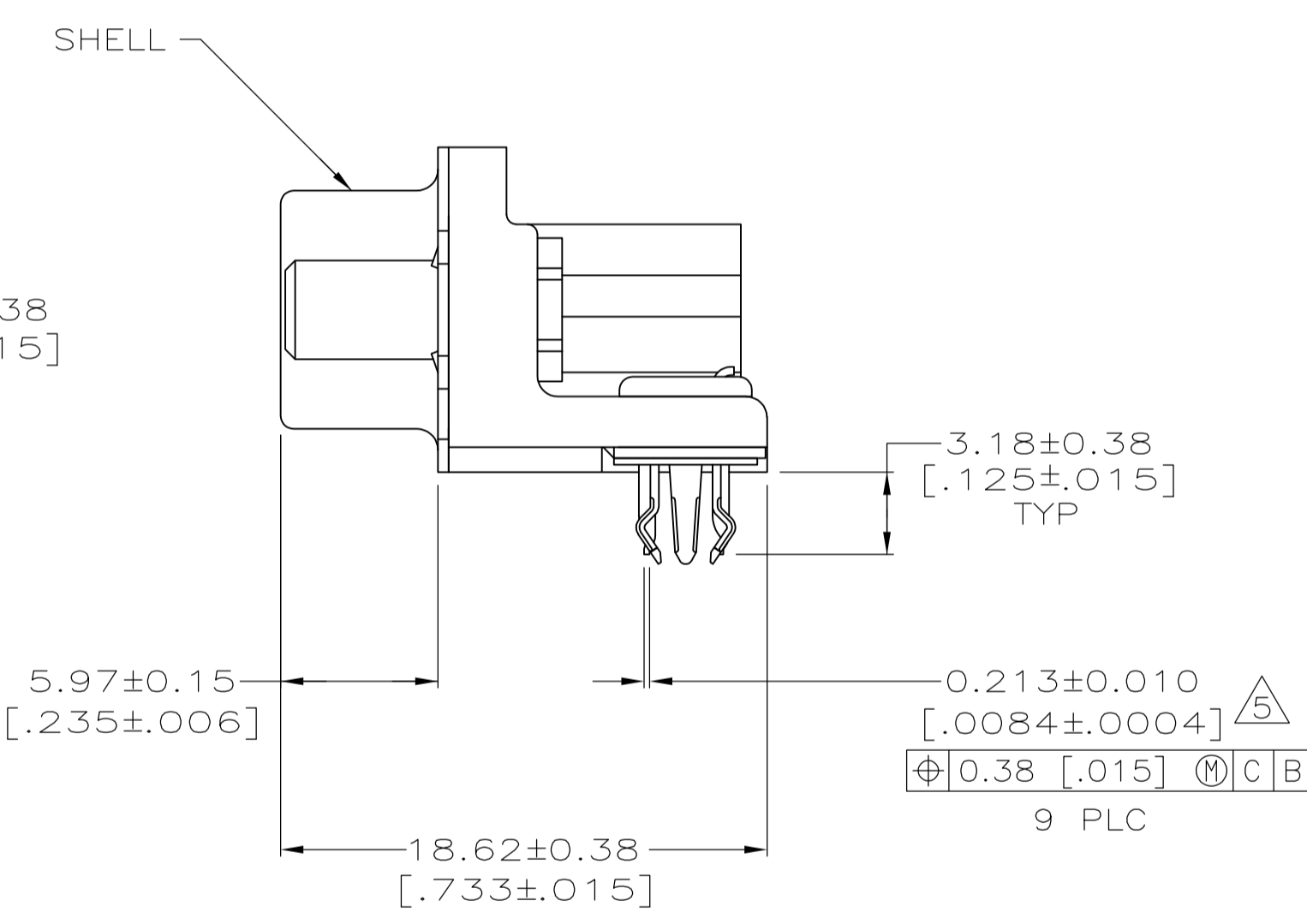
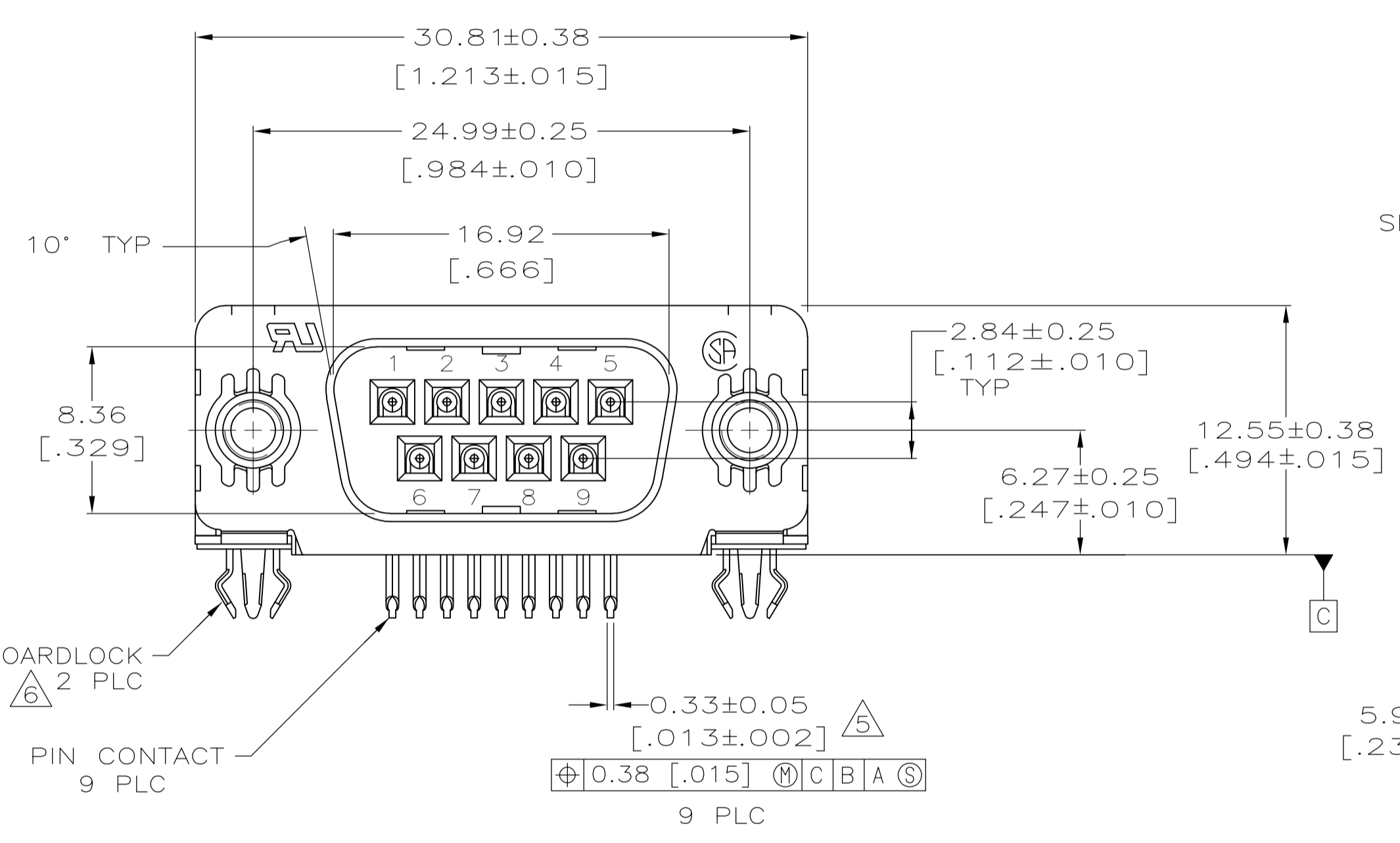
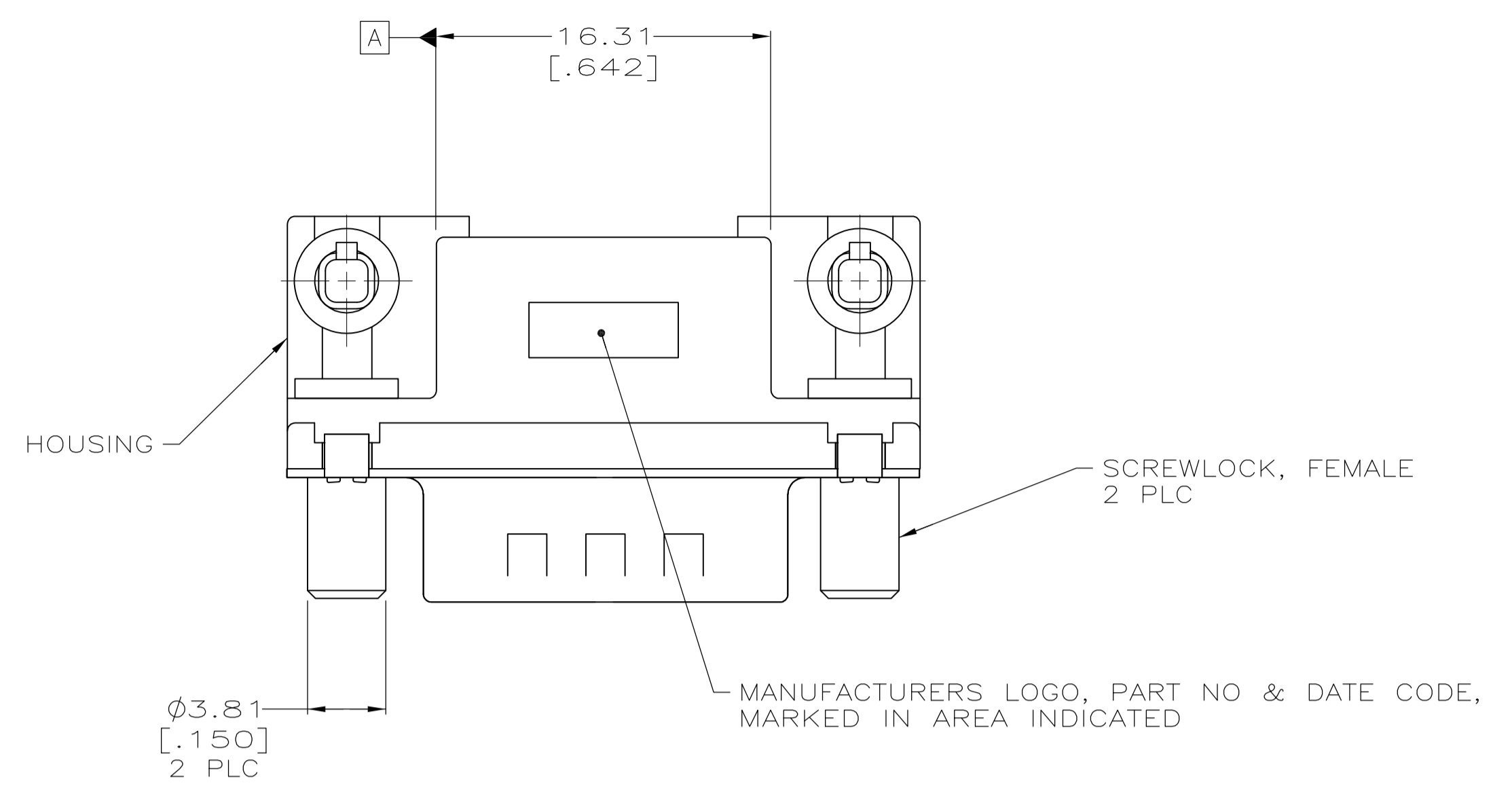




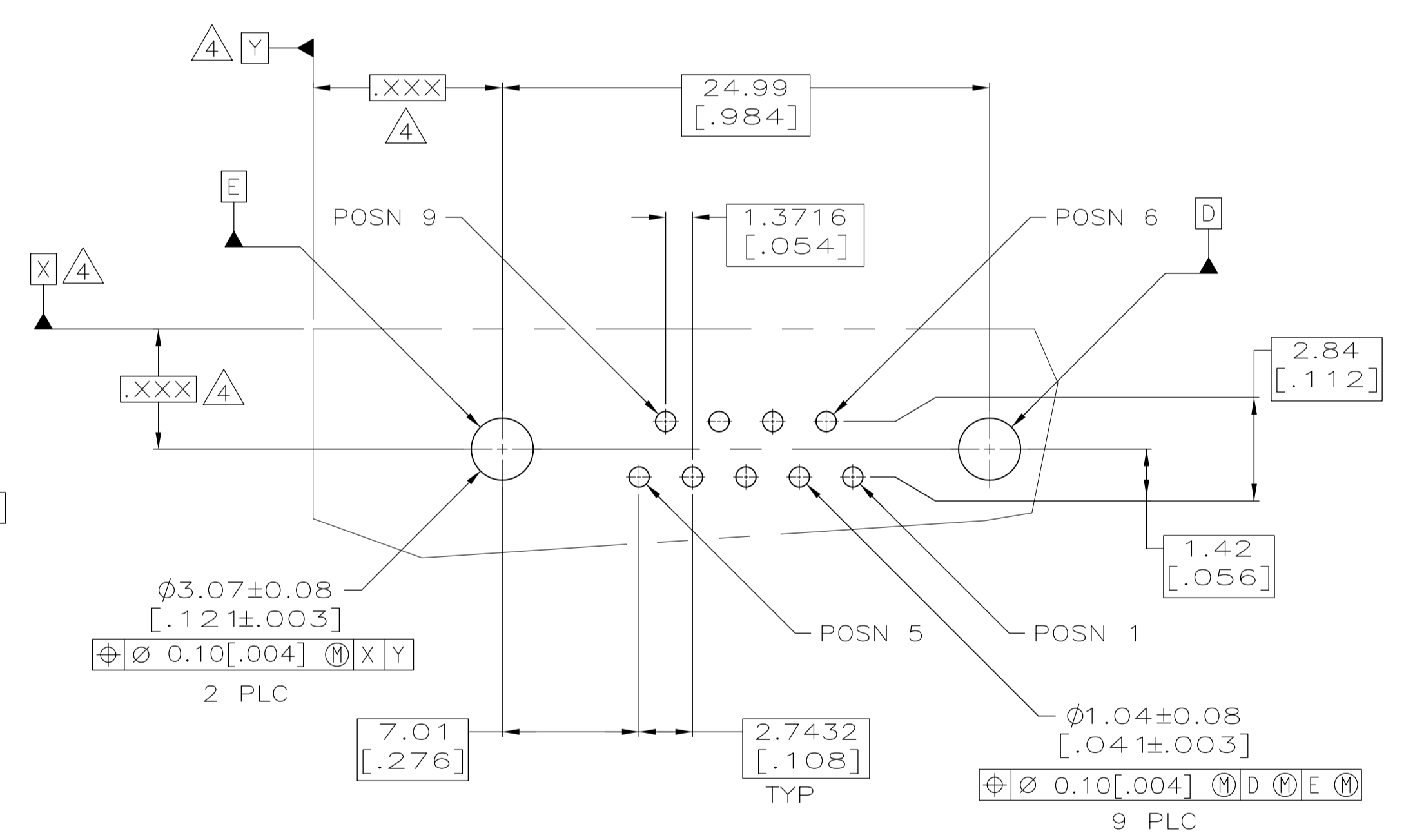
THE DATASHEET OF
5788793-1



LOC		DIST		REVISIONS			
GP	00	REV	DATE	BY	CHK	APPV	
C	REVISED PER ECO-12-022391		02JAN2013	CJV	SLB		



- 1 HOUSING: NYLON, THERMOPLASTIC, UL 94VO RATED, BLACK.
SHELL: CARBON STEEL,
PIN CONTACTS: BRASS.
EYELETS: BRASS.
SCREWLOCKS: ZINC.
BOARDLOCKS: COPPER ALLOY.
- 2 PIN CONTACTS: 0.76µm[.000030] MIN GOLD PLATE ON THE MATING SURFACES, 2.54µm[.000100] MIN TIN PLATE ON THE SOLDER END, 1.27µm[.000050] MIN NICKEL UNDERPLATE ON THE ENTIRE CONTACT
-OR-
GOLD FLASH OVER PALLADIUM-NICKEL PLATE, 0.76µm[.000030] MIN TOTAL ON THE MATING SURFACES, 2.54µm[.000100] MIN TIN PLATE ON THE SOLDER END, 1.27µm[.000050] MIN NICKEL UNDERPLATE ON THE ENTIRE CONTACT.
EYELETS: 2.54µm[.000100] MIN TIN OVER COPPER FLASH.
SHELL: 2.54µm[.000100] MIN TIN OVER 1.27µm[.000050] MIN COPPER.
SCREWLOCKS: CLEAR CHROMATE.
BOARDLOCKS: 3.81µm[.000150] MIN TIN OVER 1.27µm[.000050] MIN NICKEL.
- 3 PIN CONTACTS: GOLD FLASH ON THE MATING SURFACES, 2.54µm[.000100] MIN TIN PLATE ON THE SOLDER END, 1.27µm[.000050] MIN NICKEL UNDERPLATE ON THE ENTIRE CONTACT.
EYELETS: 2.54µm[.000100] MIN TIN OVER COPPER FLASH.
SHELL: 2.54µm[.000100] MIN TIN OVER 1.27µm[.000050] MIN COPPER.
SCREWLOCKS: CLEAR CHROMATE.
BOARDLOCKS: 3.81µm[.000150] MIN TIN OVER 1.27µm[.000050] MIN NICKEL.
- 4 DATUMS AND BASIC DIMENSIONS ESTABLISHED BY CUSTOMER.
- 5 POSITION TOLERANCE APPLIES AT CONTACT TIP.
- 6 BOARDLOCKS WILL ACCEPT .062 MAX PRINTED CIRCUIT BOARD THICKNESS.
- 7 COMPATIBLE WITH TYPICAL HIGH TEMPERATURE SOLDERING APPLICATIONS TO A MAXIMUM OF 225°C FOR A MAXIMUM DURATION OF 90 SECONDS. TEMPERATURE TO BE MEASURED ON CONNECTOR SURFACE.



5788793-2	
5788793-1	
FINISH	PART NUMBER

THIS DRAWING IS A CONTROLLED DOCUMENT. DIMENSIONING AND TOLERANCING PER ASME Y14.5M-2009		DIN L VARELA - DOCKS 04-11-05		CHK S BOLASH 04-11-05		APVD M WALMSLEY 04-11-05		NAME	
DIMENSIONS: mm(INCHES)		TOLERANCES UNLESS OTHERWISE SPECIFIED:		PRODUCT SPEC		APPLICATION SPEC		SIZE	
0 PLC	± .005	1 PLC	± .005	108-40025		114-40010		A1	
2 PLC	± .010	3 PLC	± .013 [0.005]	114-40010		114-40010		00779	
4 PLC	± .015	ANGLES	± .2°	114-40010		114-40010		5788793	
MATERIAL	SEE TABLE	FINISH	SEE TABLE	WEIGHT		SCALE		SHEET	
				CUSTOMER DRAWING		4:1		1 OF 1	

**COPYRIGHT 2005
TYCO ELECTRONICS CORP
ALL RIGHTS RESERVED**



TE Connectivity

PLUG ASSY, SIZE 1, .318 SERIES WITH FRONT METAL SHELL, HIGH TEMPERATURE, AMPLIMITE HD-20

Looking for pricing, stock, or lifecycle information?

Click below to explore more details on WIN SOURCE:

 [View 5788793-1](#) on WIN SOURCE

 [TE Connectivity](#) Information

Optimize Your Supply Chain with WIN SOURCE Solutions

-  Global Sourcing Solution
-  Obsolete Management
-  Cost Control Management
-  Shortage Management
-  Alternative Solution
-  Excess Inventory Management