



**THE DATASHEET OF
76341-310LF**



PRODUCT NUMBER
76341-XXXXLF

ROHS COMPATIBLE, SEE NOTE 5.

OPTIONAL LETTER

H: HIGH TEMPERATURE PRODUCT.

NUMBER OF POSITIONS: 02 TO 50.

PLATING CODE

3= 0.76µm GOLD ON CONTACT AREA.

2µm MIN MATTE TIN ON TAIL.

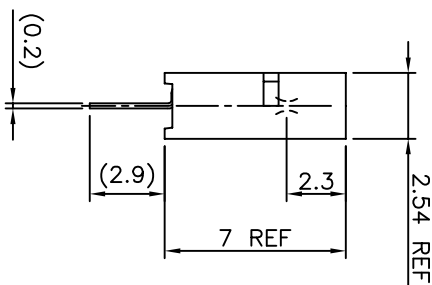
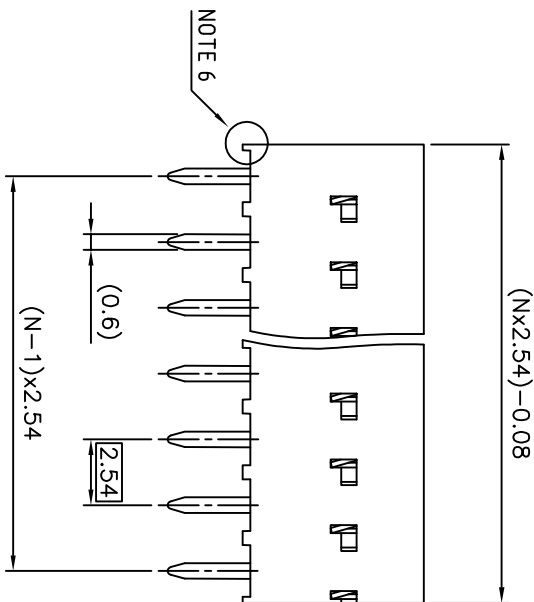
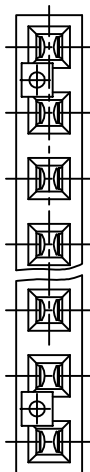
4= 2µm MIN MATTE TIN FULL PLATED

1.27µm Ni MIN UNDERPLATING

NOTES:

- 1 - HOUSING MAT'L: THERMOPLASTIC GLASS FILLED
FLAME RETARDANT PER UL 94 V-0
LOW TEMPERATURE: COLOR BLUE
HIGH TEMPERATURE: COLOR GREY.
- 2 - TERMINAL MATERIAL: PHOSPHOR BRONZE.
- 3 - 2 UP TO 4 POSITIONS PRODUCT PACKED IN PLASTIC BOX.
- 5 UP TO 50 POSITIONS PRODUCT PACKED IN TUBE.
- 4 - TO DETERMINE DIMENSIONS:
N = NUMBER OF POSITIONS
EXAMPLE: 8 POS: (Nx2.54)-0.08=20.24 mm
- 5 - ROHS COMPATIBLE PRODUCT SPECIFICATIONS
- d - PLATING:
 - "LF" MEANS THE PRODUCT IS LEAD-FREE,
2µm MINIMUM MATTE TIN OVER 1.27µm
MINIMUM NICKEL UNDERPLATE.
- b - MANUFACTURING PROCESS COMPATIBILITY
 - THE HOUSING WILL WITHSTAND EXPOSURE TO
260°C ±5°C SOLDER BATH TEMPERATURE FOR
5 SECONDS IN A WAVE SOLDER APPLICATION
WITH A 1.6mm MIN THICK CIRCUIT BOARD.
- c - LABELING:
 - MEETS PACKAGING SPECS AS PER GS-14-920
- d - LEGAL STATEMENT: SEE GS-47-0004

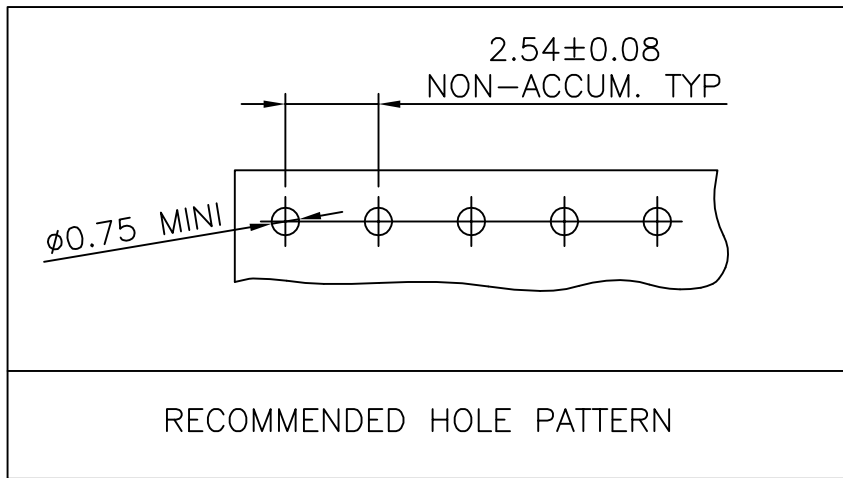
- 6 - END STAND-OFFS FOR 1x2 UP TO 1X5 POS
NO END STAND-OFFS FOR 1x6 UP TO 1x50 POS



mat'l. code		surface		tolerance		projection		product family		
SEE NOTES		ISO 1302	ISO 406	ISO 1001	mm		DUBOX			
ltr	ecm no	dr	date	tolerances unless otherwise specified	angles	linear	±0.3	title		
P	F11-004	J00	12.02.22					BtB RECEIPT.		
R	B-19123	LMU	14.10.21					VERT SR TMT		
K	F10110	G00	01.01.16	D LEGRAND	D	LEGRAND	04.09.27	dwg no		
L	F03-0284	DLE	03.10.07	P NIZZI	P	NIZZI	04.09.27	76341		
M	F04-0347	DLE	04.09.27	D LEGRAND	D	LEGRAND	04.09.27	sheet 1 of 2		
N	F06-0204	DLE	06.06.20	P NZ	P	NZ	04.09.27	A3		
sheet	revision	R	B					type		
index	sheet	1	2					CUSTOMER		
								Drawing		

A

A



B

B



FCIconnect.com

C

C

Copyright FCI



mat'l. code SEE SHEET 1				surface ISO 1302 <input checked="" type="checkbox"/>		tolerance ISO 406 ISO 1101		projection 		product family DUBOX			
ltr	ecn no	dr	date	tolerances unless otherwise specified				mm 		title BtB RECEPT. VERT SR TMT			
A	F04-0347	DLE	04.09.27	angles	linear		±0.3						
B	F06-0204	DLE	06.06.20	±2'				scale 5:1		dwg no		sheet 2 of 2	size
				dr	D LEGRAND	04.09.27			76341		A4		
				enr	P NIZZI	04.09.27							
				chr	D LE	04.09.27							
				appd	P NZ	04.09.27							
sheet index		revision sheet											

D

D

Looking for pricing, stock, or lifecycle information?

Click below to explore more details on WIN SOURCE:

-  [View 76341-310LF on WIN SOURCE](#)
-  [Amphenol FCI Information](#)

Optimize Your Supply Chain with WIN SOURCE Solutions

-  Global Sourcing Solution
-  Obsolete Management
-  Cost Control Management
-  Shortage Management
-  Alternative Solution
-  Excess Inventory Management