



**THE DATASHEET OF
76341-303LF**



PRODUCT NUMBER
76341-XXXXLF

ROHS COMPATIBLE, SEE NOTE 5.

OPTIONAL LETTER

H: HIGH TEMPERATURE PRODUCT.

NUMBER OF POSITIONS: 02 TO 50.

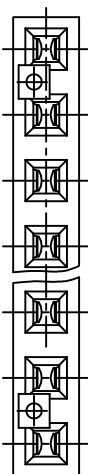
PLATING CODE

3= 0.76µm GOLD ON CONTACT AREA.

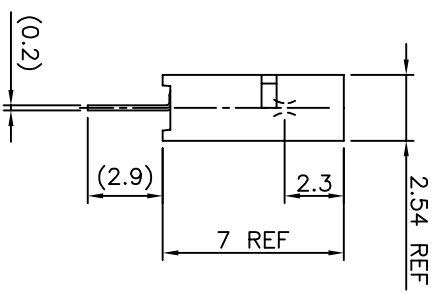
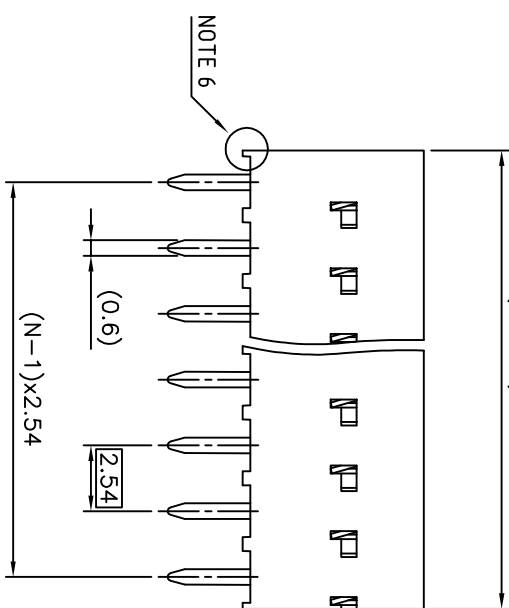
2µm MIN MATTE TIN ON TAIL.

4= 2µm MIN MATTE TIN FULL PLATED

1.27µm Ni MIN UNDERPLATING



(Nx2.54)-0.08



NOTES:

- 1 - HOUSING MAT'L: THERMOPLASTIC GLASS FILLED FLAME RETARDANT PER UL 94 V-0
LOW TEMPERATURE: COLOR BLUE
HIGH TEMPERATURE: COLOR GREY.
- 2 - TERMINAL MATERIAL: PHOSPHOR BRONZE.
- 3 - 2 UP TO 4 POSITIONS PRODUCT PACKED IN PLASTIC BOX.
- 5 UP TO 50 POSITIONS PRODUCT PACKED IN TUBE.
- 4 - TO DETERMINE DIMENSIONS:
N = NUMBER OF POSITIONS
EXAMPLE: 8 POS: (Nx2.54)-0.08=20.24 mm
- 5 - ROHS COMPATIBLE PRODUCT SPECIFICATIONS

d - PLATING:

- "LF" MEANS THE PRODUCT IS LEAD-FREE, 2µm MINIMUM MATTE TIN OVER 1.27µm MINIMUM NICKEL UNDERPLATE.

b - MANUFACTURING PROCESS COMPATIBILITY

- THE HOUSING WILL WITHSTAND EXPOSURE TO 260°C ±5°C SOLDER BATH TEMPERATURE FOR 5 SECONDS IN A WAVE SOLDER APPLICATION WITH A 1.6mm MIN THICK CIRCUIT BOARD.

c - LABELING:

- MEETS PACKAGING SPECS AS PER GS-14-9220

d - LEGAL STATEMENT: SEE GS-47-0004

- 6 - END STAND-OFFS FOR 1x2 UP TO 1X5 POS
NO END STAND-OFFS FOR 1x6 UP TO 1x50 POS

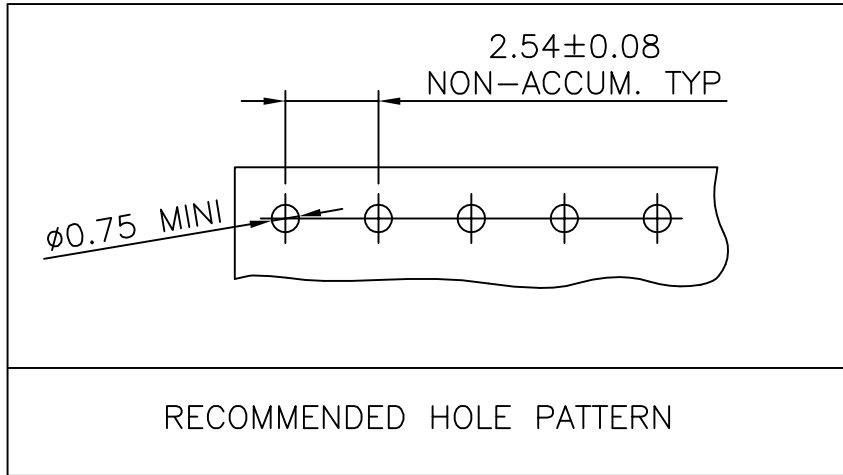
mat'l. code		SEE NOTES		surface	tolerance	projection	product family	
ltr	ecm no	dr	date	ISO 1302	ISO 406	ISO 1001	title	DUBOX
P	F11-004	J00	12.02.22	tolerances unless otherwise specified	±0.3	mm	BtB RECEIPT.	
R	B-19123	LMU	14.10.21	angles		mm	VERT SR TMT	
K	F10110	G00	01.01.16	linear		mm		
L	F03-0284	DLE	03.10.07	linear		mm		
M	F04-0347	DLE	04.09.27	linear		mm		
N	F06-0204	DLE	06.06.20	linear		mm		



dwg no 76341
sheet 1 of 2
type CUSTOMER
size A3

A

A



B

B



C

C



mat'l. code SEE SHEET 1				surface ISO 1302 <input checked="" type="checkbox"/>		tolerance ISO 406 ISO 1101		projection 		product family DUBOX					
ltr	ecn no	dr	date	tolerances unless otherwise specified				mm 		title BtB RECEPT. VERT SR TMT					
A	F04-0347	DLE	04.09.27	angles linear	±0.3				scale 5:1		dwg no 76341		sheet 2 of 2 A4		
B	F06-0204	DLE	06.06.20												
				±2'	dr		D LEGRAND		04.09.27		type CUSTOMER Drawing				
					enr		P NIZZI		04.09.27						
					chr		D LE		04.09.27						
					appd		P NZ		04.09.27						
sheet index		revision sheet													

D

D

Looking for pricing, stock, or lifecycle information?

Click below to explore more details on WIN SOURCE:

-  [View 76341-303LF on WIN SOURCE](#)
-  [Amphenol FCI Information](#)

Optimize Your Supply Chain with WIN SOURCE Solutions

-  Global Sourcing Solution
-  Obsolete Management
-  Cost Control Management
-  Shortage Management
-  Alternative Solution
-  Excess Inventory Management