



**THE DATASHEET OF
74LVT162373DGG,518**



Important notice

Dear Customer,

On 7 February 2017 the former NXP Standard Product business became a new company with the tradename **Nexperia**. Nexperia is an industry leading supplier of Discrete, Logic and PowerMOS semiconductors with its focus on the automotive, industrial, computing, consumer and wearable application markets

In data sheets and application notes which still contain NXP or Philips Semiconductors references, use the references to Nexperia, as shown below.

Instead of <http://www.nxp.com>, <http://www.philips.com/> or <http://www.semiconductors.philips.com/>, use <http://www.nexperia.com>

Instead of sales.addresses@www.nxp.com or sales.addresses@www.semiconductors.philips.com, use salesaddresses@nexperia.com (email)

Replace the copyright notice at the bottom of each page or elsewhere in the document, depending on the version, as shown below:

- © NXP N.V. (year). All rights reserved or © Koninklijke Philips Electronics N.V. (year). All rights reserved

Should be replaced with:

- © **Nexperia B.V. (year). All rights reserved.**

If you have any questions related to the data sheet, please contact our nearest sales office via e-mail or telephone (details via salesaddresses@nexperia.com). Thank you for your cooperation and understanding,

Kind regards,

Team Nexperia

DATA SHEET

74LVT162373

**3.3 V LVT 16-bit transparent D-type latch
with 30 Ω termination resistors (3-State)**

Product specification

1999 Sep 23

IC23 Data Handbook

3.3 V LVT 16-bit transparent D-type latch with 30 Ω termination resistors (3-State)

74LVT162373

FEATURES

- 16-bit transparent latch
- 3-State buffers
- Output capability: +12 mA / -12 mA
- TTL input and output switching levels
- Input and output interface capability to systems at 5 V supply
- Bus-hold data inputs eliminate the need for external pull-up resistors to hold unused inputs
- Live insertion/extraction permitted
- Outputs include series resistance of 30 Ω making external resistors unnecessary
- Power-up reset
- Power-up 3-State
- No bus current loading when output is tied to 5 V bus
- Latch-up protection exceeds 500 mA per JEDEC Std 17
- ESD protection exceeds 2000 V per MIL STD 883 Method 3015 and 200 V per Machine Model

DESCRIPTION

The 74LVT162373 is a high-performance BiCMOS product designed for V_{CC} operation at 3.3 V.

This device is a 16-bit transparent D-type latch with non-inverting 3-State bus compatible outputs. The device can be used as two 8-bit latches or one 16-bit latch. When Latch Enable (LE) input is High, the Q outputs follow the data (D) inputs. When Latch Enable is taken Low, the Q outputs are latched at the levels of the D inputs one setup time prior to the High-to-Low transition.

The 74LVT162373 is designed with 30 Ω series resistance in both the High and Low states of the output. This design reduces the noise in applications such as memory address drivers, clock drivers, and bus receivers/transmitters.

QUICK REFERENCE DATA

SYMBOL	PARAMETER	CONDITIONS $T_{amb} = 25\text{ }^{\circ}\text{C}$	TYPICAL	UNIT
t_{PLH} t_{PHL}	Propagation delay nDx to nQx	$C_L = 50\text{ pF}$; $V_{CC} = 3.3\text{ V}$	3.0	ns
C_{IN}	Input capacitance	$V_I = 0\text{ V}$ or 3.0 V	3	pF
C_{OUT}	Output capacitance	Outputs disabled; $V_O = 0\text{ V}$ or 3.0 V	9	pF
I_{CCZ}	Total supply current	Outputs disabled; $V_{CC} = 3.6\text{ V}$	70	μA

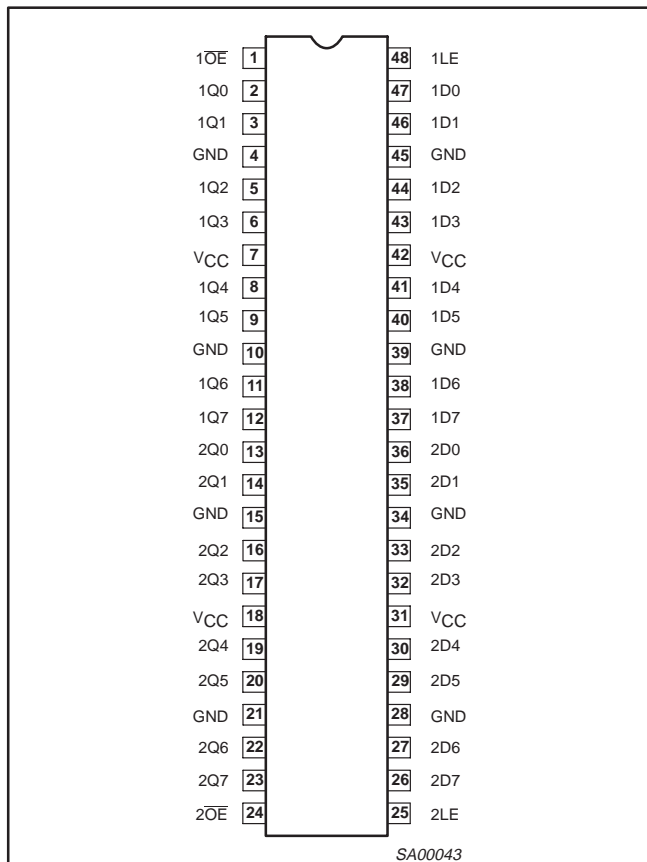
ORDERING INFORMATION

PACKAGES	TEMPERATURE RANGE	ORDERING CODE	DWG NUMBER
48-Pin Plastic SSOP Type III	-40 $^{\circ}\text{C}$ to +85 $^{\circ}\text{C}$	74LVT162373 DL	SOT370-1
48-Pin Plastic TSSOP Type II	-40 $^{\circ}\text{C}$ to +85 $^{\circ}\text{C}$	74LVT162373 DGG	SOT362-1

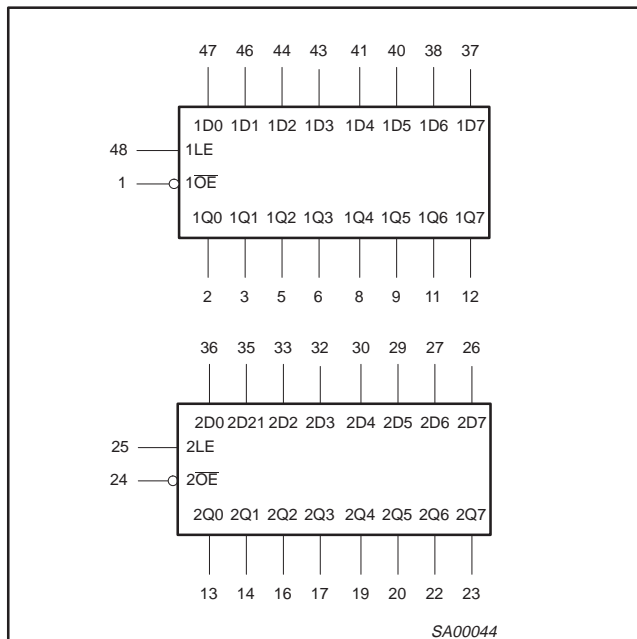
3.3 V LVT 16-bit transparent D-type latch with 30 Ω termination resistors (3-State)

74LVT162373

PIN CONFIGURATION



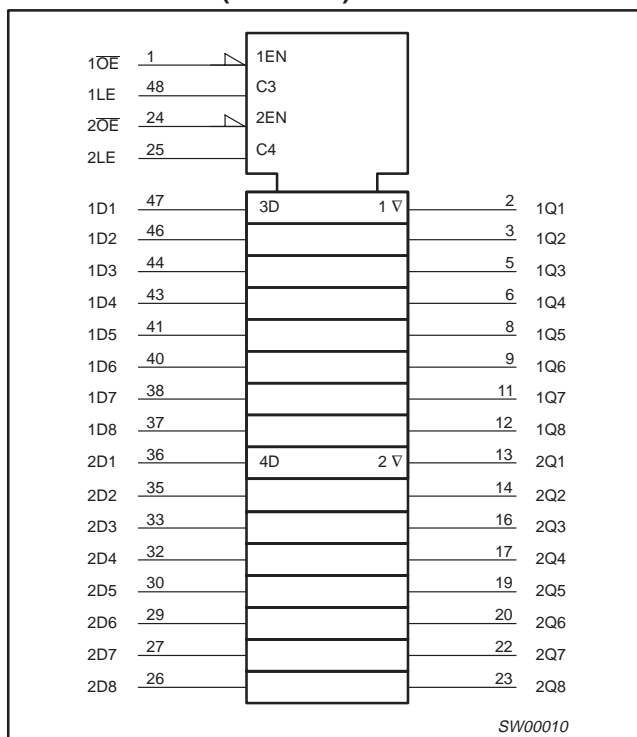
LOGIC SYMBOL



PIN DESCRIPTION

PIN NUMBER	SYMBOL	FUNCTION
47, 46, 44, 43, 41, 40, 38, 37, 36, 35, 33, 32, 30, 29, 27, 26	1D0 – 1D7 2D0 – 2D7	Data inputs
2, 3, 5, 6, 8, 9, 11, 12, 13, 14, 16, 17, 19, 20, 22, 23	1Q0 – 1Q7 2Q0 – 2Q7	Data outputs
1, 24	1OE, 2OE	Output Enable inputs (active-Low)
48, 25	1LE, 2LE	Latch Enable inputs (active-High)
4, 10, 15, 21, 28, 34, 39, 45	GND	Ground (0V)
7, 18, 31, 42	VCC	Positive supply voltage

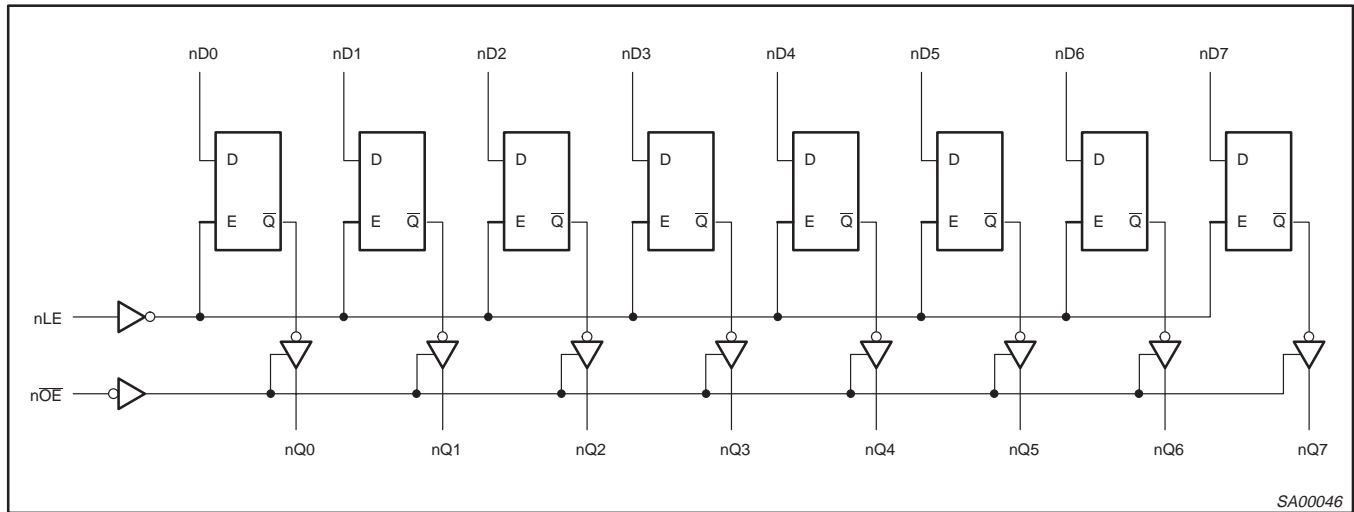
LOGIC SYMBOL (IEEE/IEC)



3.3 V LVT 16-bit transparent D-type latch with 30 Ω termination resistors (3-State)

74LVT162373

LOGIC DIAGRAM

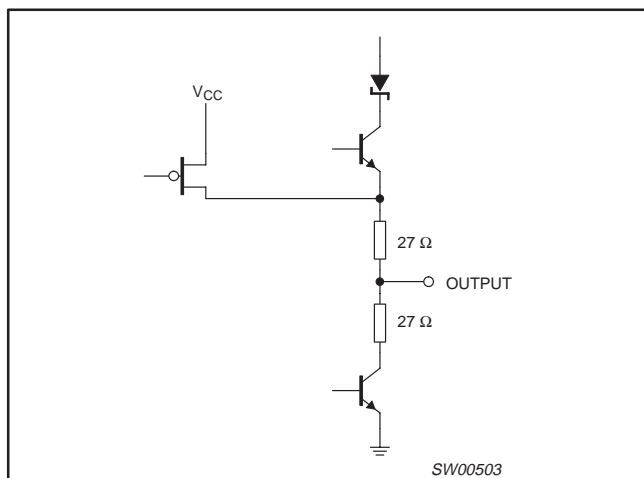


FUNCTION TABLE

INPUTS			INTERNAL REGISTER	OUTPUTS	OPERATING MODE
nOE	nLE	nDx		nQ0 – nQ7	
L	H	L	L	L	Enable and read register
L	H	H	H	H	
L	↓	l	L	L	Latch and read register
L	↓	h	H	H	
L	L	X	NC	NC	Hold
H	L	X	NC	Z	Disable outputs
H	H	nDx	nDx	Z	

- H = High voltage level
- h = High voltage level one set-up time prior to the High-to-Low E transition
- L = Low voltage level
- l = Low voltage level one set-up time prior to the High-to-Low E transition
- NC= No change
- X = Don't care
- Z = High impedance "off" state
- ↓ = High-to-Low LE transition

SCHEMATIC OF EACH OUTPUT



3.3 V LVT 16-bit transparent D-type latch with 30 Ω termination resistors (3-State)

74LVT162373

ABSOLUTE MAXIMUM RATINGS^{1, 2}

SYMBOL	PARAMETER	CONDITIONS	RATING	UNIT
V_{CC}	DC supply voltage		-0.5 to +4.6	V
I_{IK}	DC input diode current	$V_I < 0$	-50	mA
V_I	DC input voltage ³		-0.5 to +7.0	V
I_{OK}	DC output diode current	$V_O < 0$	-50	mA
V_{OUT}	DC output voltage ³	Output in Off or High state	-0.5 to +7.0	V
I_{OUT}	DC output current	Output in Low state	128	mA
		Output in High state	-64	
T_{stg}	Storage temperature range		-65 to +150	$^{\circ}\text{C}$

NOTES:

- Stresses beyond those listed may cause permanent damage to the device. These are stress ratings only and functional operation of the device at these or any other conditions beyond those indicated under "recommended operating conditions" is not implied. Exposure to absolute-maximum-rated conditions for extended periods may affect device reliability.
- The performance capability of a high-performance integrated circuit in conjunction with its thermal environment can create junction temperatures which are detrimental to reliability. The maximum junction temperature of this integrated circuit should not exceed 150 $^{\circ}\text{C}$.
- The input and output negative voltage ratings may be exceeded if the input and output clamp current ratings are observed.

RECOMMENDED OPERATING CONDITIONS

SYMBOL	PARAMETER	LIMITS		UNIT
		MIN	MAX	
V_{CC}	DC supply voltage	2.7	3.6	V
V_I	Input voltage	0	5.5	V
V_{IH}	High-level input voltage	2.0		V
V_{IL}	Input voltage		0.8	V
I_{OH}	High-level output current		-12	mA
I_{OL}	Low-level output current		12	mA
$\Delta t/\Delta v$	Input transition rise or fall rate; Outputs enabled		10	ns/V
T_{amb}	Operating free-air temperature range	-40	+85	$^{\circ}\text{C}$

3.3 V LVT 16-bit transparent D-type latch with 30 Ω termination resistors (3-State)

74LVT162373

DC ELECTRICAL CHARACTERISTICS

SYMBOL	PARAMETER	TEST CONDITIONS	LIMITS			UNIT	
			Temp = -40°C to +85°C				
			MIN	TYP ¹	MAX		
V_{IK}	Input clamp voltage	$V_{CC} = 2.7V$; $I_{IK} = -18mA$		-0.85	-1.2	V	
V_{OH}	High-level output voltage	$V_{CC} = 3.0V$; $I_{OH} = -12mA$	2.0				
V_{OL}	Low-level output voltage	$V_{CC} = 3.0V$; $I_{OL} = 16mA$			0.8	V	
V_{RST}	Power-up output Low voltage ⁵	$V_{CC} = 3.6V$; $I_O = 1mA$; $V_I = GND$ or V_{CC}		0.1	0.55	V	
I_I	Input leakage current	$V_{CC} = 3.6V$; $V_I = V_{CC}$ or GND	Control pins		0.1	± 1	μA
		$V_{CC} = 0$ or $3.6V$; $V_I = 5.5V$			0.4	10	
		$V_{CC} = 3.6V$; $V_I = V_{CC}$	Data pins ⁴		0.1	1	
		$V_{CC} = 3.6V$; $V_I = 0$			-0.4	-5	
I_{OFF}	Output off current	$V_{CC} = 0V$; V_I or $V_O = 0$ to $4.5V$		0.1	± 100	μA	
I_{HOLD}	Bus Hold current D inputs ⁷	$V_{CC} = 3V$; $V_I = 0.8V$	75	135		μA	
		$V_{CC} = 3V$; $V_I = 2.0V$	-75	-135			
		$V_{CC} = 0V$ to $3.6V$; $V_{CC} = 3.6V$	± 500				
I_{EX}	Current into an output in the High state when $V_O > V_{CC}$	$V_O = 5.5V$; $V_{CC} = 3.0V$		50	125	μA	
$I_{PU/PD}$	Power up/down 3-State output current ³	$V_{CC} \leq 1.2V$; $V_O = 0.5V$ to V_{CC} ; $V_I = GND$ or V_{CC} ; OE/OE = Don't care		1	± 100	μA	
I_{OZH}	3-State output High current	$V_{CC} = 3.6V$; $V_O = 3.0V$; $V_I = V_{IH}$ or V_{IL}		0.5	5	μA	
I_{OZL}	3-State output Low current	$V_{CC} = 3.6V$; $V_O = 0.5V$; $V_I = V_{IH}$ or V_{IL}		0.5	-5		
I_{CCH}	Quiescent supply current	$V_{CC} = 3.6V$; Outputs High, $V_I = GND$ or V_{CC} , $I_O = 0$		0.07	0.12	mA	
I_{CCL}		$V_{CC} = 3.6V$; Outputs Low, $V_I = GND$ or V_{CC} , $I_O = 0$		4.0	6		
I_{CCZ}		$V_{CC} = 3.6V$; Outputs Disabled; $V_I = GND$ or V_{CC} , $I_O = 0$ ⁶		0.07	0.12		
ΔI_{CC}	Additional supply current per input pin ²	$V_{CC} = 3V$ to $3.6V$; One input at $V_{CC}-0.6V$, Other inputs at V_{CC} or GND		0.1	0.2	mA	

NOTES:

- All typical values are at $V_{CC} = 3.3V$ and $T_{amb} = 25^\circ C$.
- This is the increase in supply current for each input at the specified voltage level other than V_{CC} or GND.
- This parameter is valid for any V_{CC} between 0V and 1.2V with a transition time of up to 10msec. From $V_{CC} = 1.2V$ to $V_{CC} = 3.3V \pm 0.3V$ a transition time of 100 μ sec is permitted. This parameter is valid for $T_{amb} = 25^\circ C$ only.
- Unused pins at V_{CC} or GND.
- For valid test results, data must not be loaded into the flip-flops (or latches) after applying power.
- I_{CCZ} is measured with outputs pulled to V_{CC} or GND.
- This is the bus hold overdrive current required to force the input to the opposite logic state.

3.3 V LVT 16-bit transparent D-type latch with 30 Ω termination resistors (3-State)

74LVT162373

AC CHARACTERISTICS

GND = 0V; $t_R = t_F = 2.5\text{ns}$; $C_L = 50\text{pF}$; $R_L = 500\Omega$; $T_{\text{amb}} = -40^\circ\text{C}$ to $+85^\circ\text{C}$.

SYMBOL	PARAMETER	WAVEFORM	LIMITS				UNIT
			$V_{CC} = 3.3\text{V} \pm 0.3\text{V}$		$V_{CC} = 2.7\text{V}$		
			MIN	TYP ¹	MAX	MAX	
t_{PLH} t_{PHL}	Propagation delay nDx to nQx	2	0.5 0.5	2.5 2.5	4.6 4.0	5.1 4.3	ns
t_{PLH} t_{PHL}	Propagation delay nLE to nQx	1	0.5 0.5	3.0 3.0	5.1 4.6	5.8 4.3	ns
t_{PZH} t_{PZL}	Output enable time to High and Low level	4 5	0.1 0.1	3.5 3.2	5.4 4.9	6.6 5.5	ns
t_{PHZ} t_{PLZ}	Output disable time from High and Low Level	4 5	0.1 0.1	3.5 3.2	5.4 5.1	5.7 5.0	ns

NOTE:

1. All typical values are at $V_{CC} = 3.3\text{V}$ and $T_{\text{amb}} = 25^\circ\text{C}$.

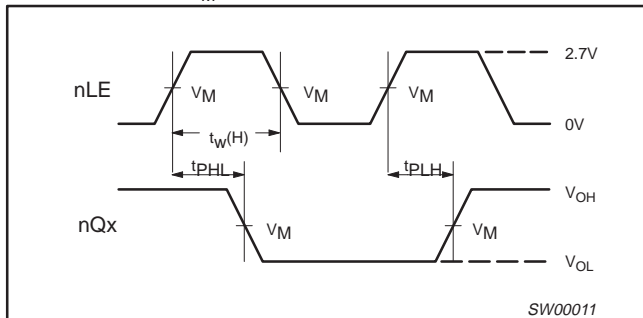
AC SETUP REQUIREMENTS

GND = 0V; $t_R = t_F = 2.5\text{ns}$; $C_L = 50\text{pF}$; $R_L = 500\Omega$; $T_{\text{amb}} = -40^\circ\text{C}$ to $+85^\circ\text{C}$.

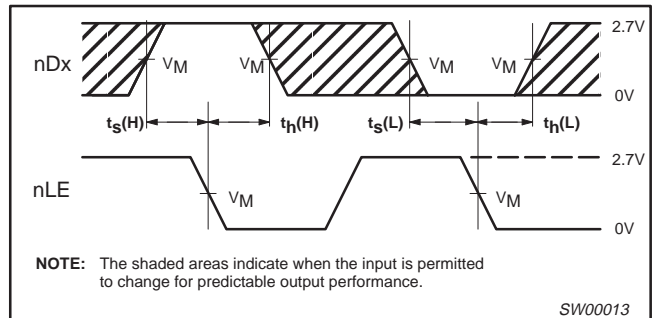
SYMBOL	PARAMETER	WAVEFORM	LIMITS			UNIT
			$V_{CC} = 3.3\text{V} \pm 0.3\text{V}$		$V_{CC} = 2.7\text{V}$	
			MIN	TYP	MIN	
$t_S(H)$ $t_S(L)$	Setup time nDx to nLE	3	1.5 2.0	0.1 0.2	1.0 2.0	ns
$t_H(H)$ $t_H(L)$	Hold time nDx to nLE	3	1.0 1.5	0 0	1.0 2.0	ns
$t_W(H)$	nLE pulse width High	1	1.5	0.5	1.5	ns

AC WAVEFORMS

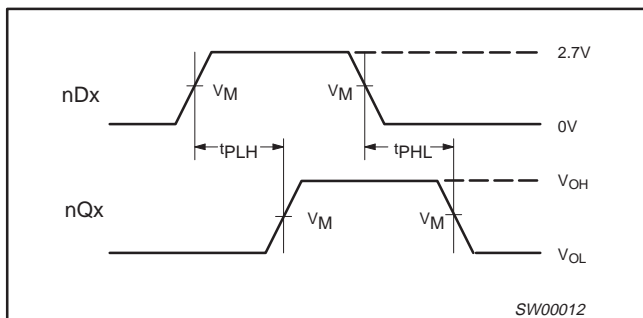
For all waveforms, $V_M = 1.5\text{V}$.



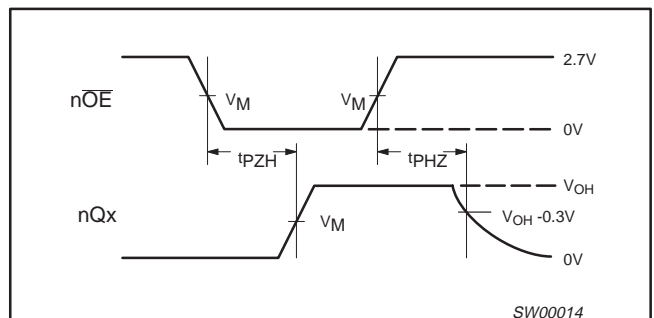
Waveform 1. Propagation Delay, Latch Enable to Output, and Latch Enable Pulse Width



Waveform 3. Data Setup and Hold Times



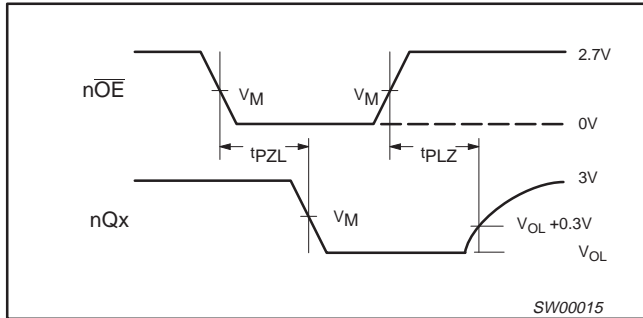
Waveform 2. Propagation Delay for Data to Outputs



Waveform 4. 3-State Output Enable time to High Level and Output Disable Time from High Level

3.3 V LVT 16-bit transparent D-type latch with 30 Ω termination resistors (3-State)

74LVT162373



Waveform 5. 3-State Output Enable Time to Low Level and Output Disable Time from Low Level

TEST CIRCUIT AND WAVEFORMS

Test Circuit for 3-State Outputs

Input Pulse Definition

$V_M = 1.5V$

SWITCH POSITION

TEST	SWITCH
t_{PHZ}/t_{PZH}	GND
t_{PLZ}/t_{PZL}	6V
t_{PLH}/t_{PHL}	open

DEFINITIONS

R_L = Load resistor; see AC CHARACTERISTICS for value.

C_L = Load capacitance includes jig and probe capacitance; see AC CHARACTERISTICS for value.

R_T = Termination resistance should be equal to Z_{OUT} of pulse generators.

FAMILY	INPUT PULSE REQUIREMENTS				
	Amplitude	Rep. Rate	t_W	t_R	t_F
74LVT16	2.7V	≤10MHz	500ns	≤2.5ns	≤2.5ns

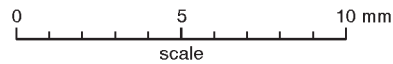
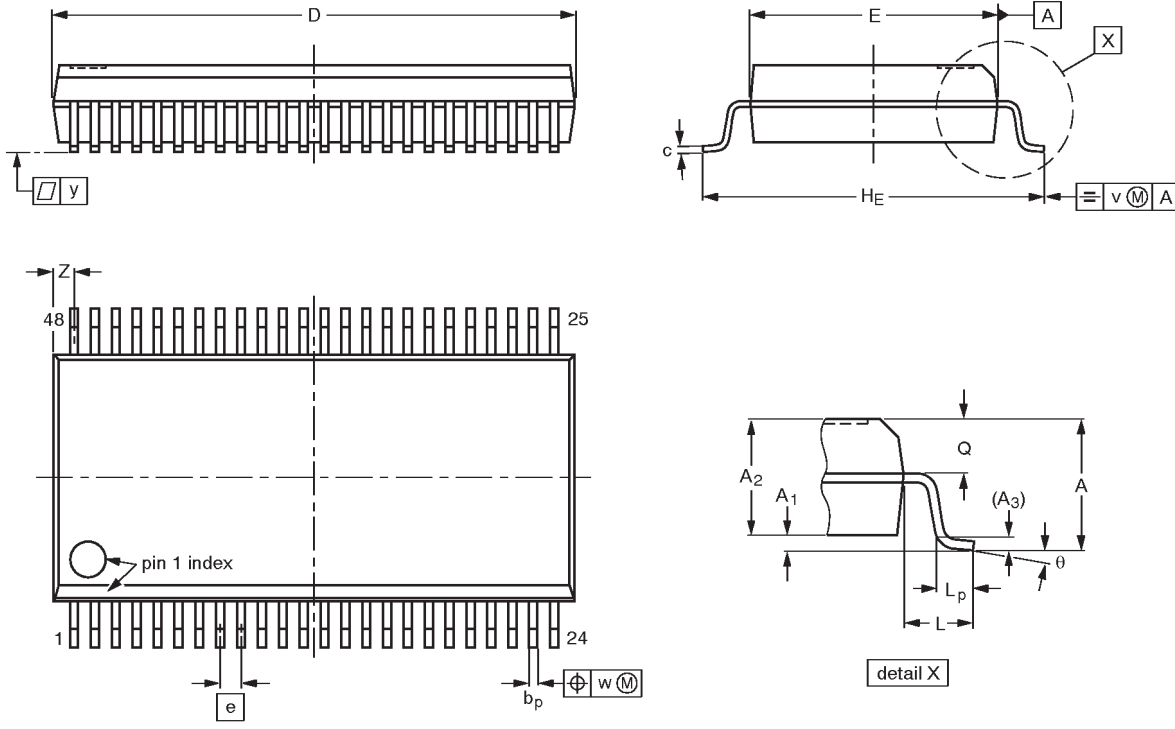
SW00003

3.3 V LVT 16-bit transparent D-type latch with 30 Ω termination resistors (3-State)

74LVT162373

SSOP48: plastic shrink small outline package; 48 leads; body width 7.5 mm

SOT370-1



DIMENSIONS (mm are the original dimensions)

UNIT	A max.	A ₁	A ₂	A ₃	b _p	c	D ⁽¹⁾	E ⁽¹⁾	e	H _E	L	L _p	Q	v	w	y	Z ⁽¹⁾	θ
mm	2.8	0.4 0.2	2.35 2.20	0.25	0.3 0.2	0.22 0.13	16.00 15.75	7.6 7.4	0.635	10.4 10.1	1.4	1.0 0.6	1.2 1.0	0.25	0.18	0.1	0.85 0.40	8° 0°

Note

1. Plastic or metal protrusions of 0.25 mm maximum per side are not included.

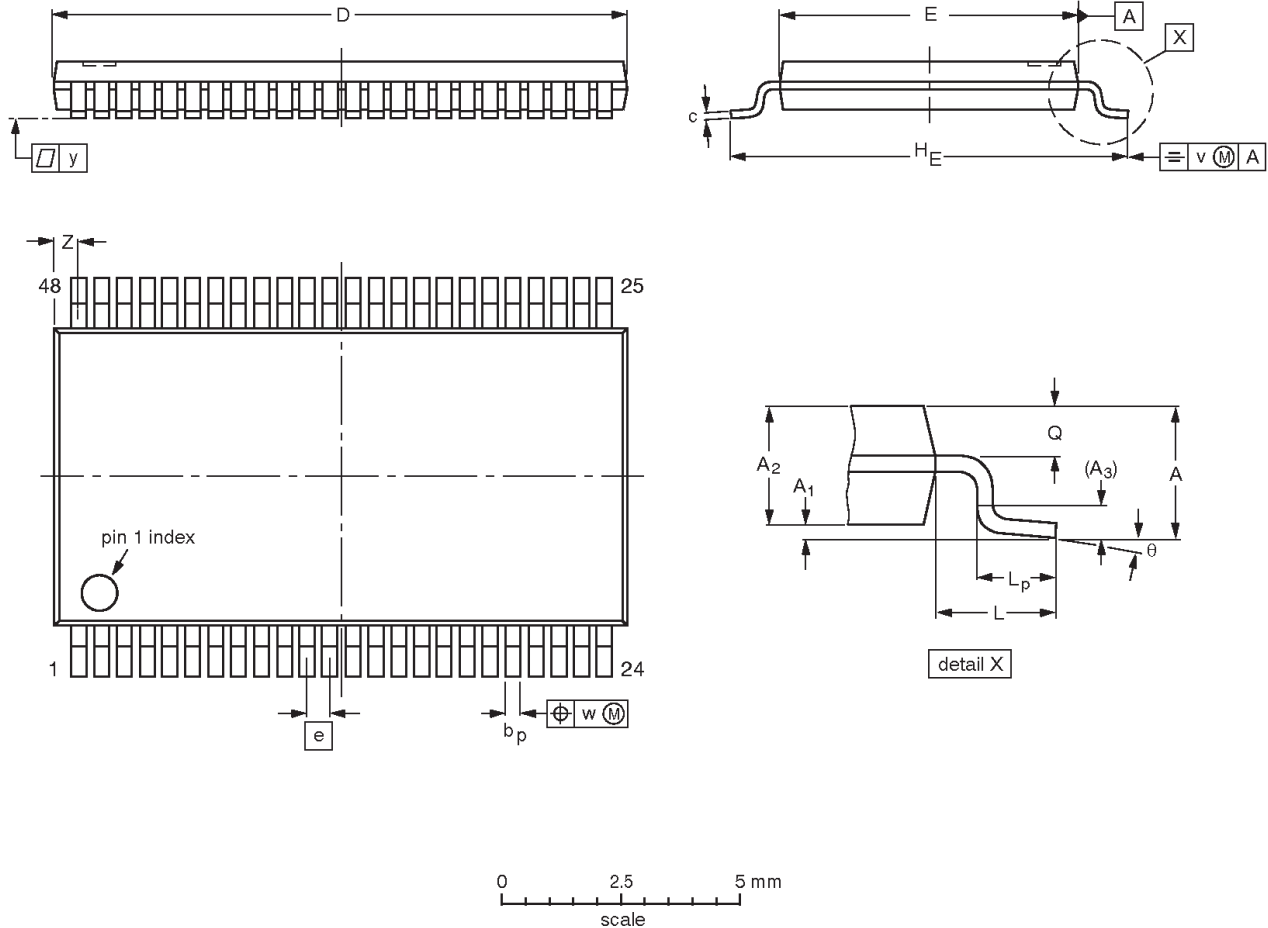
OUTLINE VERSION	REFERENCES				EUROPEAN PROJECTION	ISSUE DATE
	IEC	JEDEC	EIAJ			
SOT370-1		MO-118AA				93-11-02- 95-02-04

3.3 V LVT 16-bit transparent D-type latch with 30 Ω termination resistors (3-State)

74LVT162373

TSSOP48: plastic thin shrink small outline package; 48 leads; body width 6.1 mm

SOT362-1



DIMENSIONS (mm are the original dimensions).

UNIT	A max.	A ₁	A ₂	A ₃	b _p	c	D ⁽¹⁾	E ⁽²⁾	e	H _E	L	L _p	Q	v	w	y	Z	θ
mm	1.2	0.15 0.05	1.05 0.85	0.25	0.28 0.17	0.2 0.1	12.6 12.4	6.2 6.0	0.5	8.3 7.9	1	0.8 0.4	0.50 0.35	0.25	0.08	0.1	0.8 0.4	8° 0°

Notes

1. Plastic or metal protrusions of 0.15 mm maximum per side are not included.
2. Plastic interlead protrusions of 0.25 mm maximum per side are not included.

OUTLINE VERSION	REFERENCES				EUROPEAN PROJECTION	ISSUE DATE
	IEC	JEDEC	EIAJ			
SOT362-1		MO-153ED				93-02-03 95-02-10

3.3 V LVT 16-bit transparent D-type latch
with 30 Ω termination resistors (3-State)

74LVT162373

NOTES

3.3 V LVT 16-bit transparent D-type latch with 30 Ω termination resistors (3-State)

74LVT162373

Data sheet status

Data sheet status	Product status	Definition [1]
Objective specification	Development	This data sheet contains the design target or goal specifications for product development. Specification may change in any manner without notice.
Preliminary specification	Qualification	This data sheet contains preliminary data, and supplementary data will be published at a later date. Philips Semiconductors reserves the right to make changes at any time without notice in order to improve design and supply the best possible product.
Product specification	Production	This data sheet contains final specifications. Philips Semiconductors reserves the right to make changes at any time without notice in order to improve design and supply the best possible product.

[1] Please consult the most recently issued datasheet before initiating or completing a design.

Definitions

Short-form specification — The data in a short-form specification is extracted from a full data sheet with the same type number and title. For detailed information see the relevant data sheet or data handbook.

Limiting values definition — Limiting values given are in accordance with the Absolute Maximum Rating System (IEC 134). Stress above one or more of the limiting values may cause permanent damage to the device. These are stress ratings only and operation of the device at these or at any other conditions above those given in the Characteristics sections of the specification is not implied. Exposure to limiting values for extended periods may affect device reliability.

Application information — Applications that are described herein for any of these products are for illustrative purposes only. Philips Semiconductors make no representation or warranty that such applications will be suitable for the specified use without further testing or modification.

Disclaimers

Life support — These products are not designed for use in life support appliances, devices or systems where malfunction of these products can reasonably be expected to result in personal injury. Philips Semiconductors customers using or selling these products for use in such applications do so at their own risk and agree to fully indemnify Philips Semiconductors for any damages resulting from such application.

Right to make changes — Philips Semiconductors reserves the right to make changes, without notice, in the products, including circuits, standard cells, and/or software, described or contained herein in order to improve design and/or performance. Philips Semiconductors assumes no responsibility or liability for the use of any of these products, conveys no license or title under any patent, copyright, or mask work right to these products, and makes no representations or warranties that these products are free from patent, copyright, or mask work right infringement, unless otherwise specified.

Philips Semiconductors
811 East Arques Avenue
P.O. Box 3409
Sunnyvale, California 94088-3409
Telephone 800-234-7381

© Copyright Philips Electronics North America Corporation 1999
All rights reserved. Printed in U.S.A.

Date of release: 09-99



Document order number:

9397 750 06507

Let's make things better.

Looking for pricing, stock, or lifecycle information?

Click below to explore more details on WIN SOURCE:

-  [View 74LVT162373DGG,518 on WIN SOURCE](#)
-  [Nexperia USA Inc. Information](#)

Optimize Your Supply Chain with WIN SOURCE Solutions

-  Global Sourcing Solution
-  Obsolete Management
-  Cost Control Management
-  Shortage Management
-  Alternative Solution
-  Excess Inventory Management