

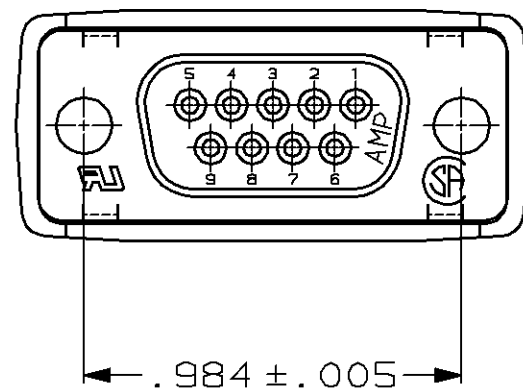
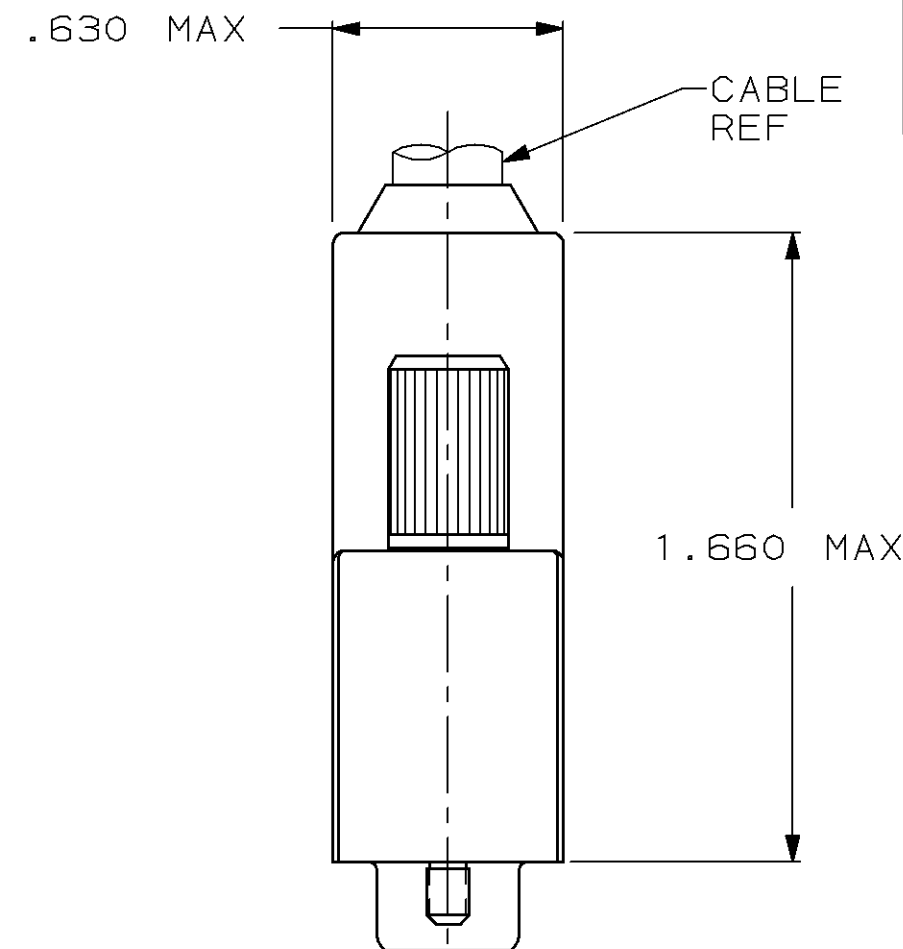
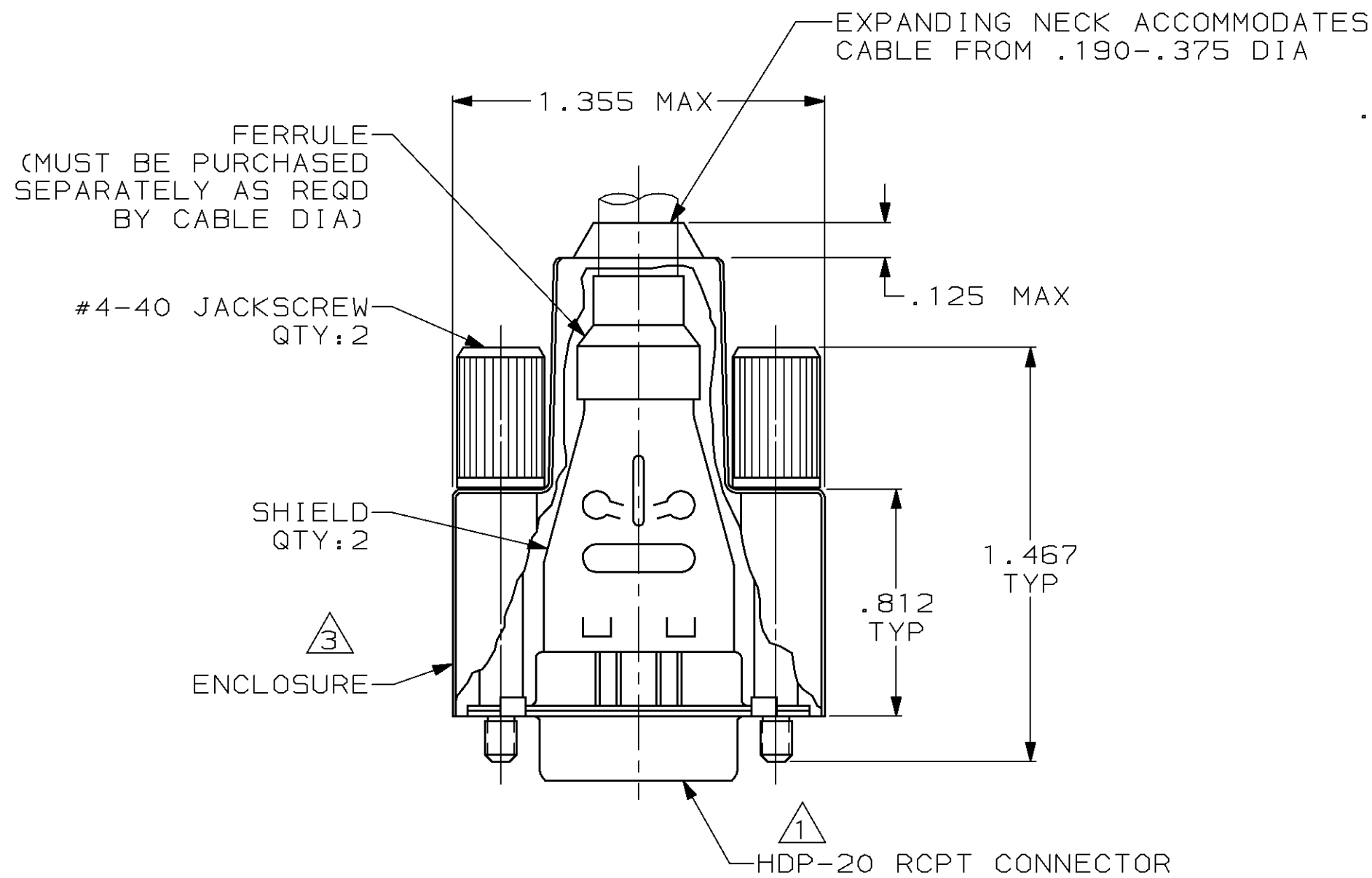


THE DATASHEET OF
747951-1



THIS DRAWING IS UNPUBLISHED. RELEASED FOR PUBLICATION
 © COPYRIGHT 19 BY AMP INCORPORATED. ALL INTERNATIONAL RIGHTS RESERVED.

LOC	DIST	P	F	ZONE	LTR	DESCRIPTION	DATE	APPD
BD	48				G	REDRAWN	6/4/90	-
					H	REV PER ECN BD4814	05/31/91	-
					J	REV PER ECN BD5049	7-2-91	TMS
					K	REV PER ECN BD6133	04/02/92	TMS
					L	ADDED -4 PER NPR 4258	07/09/92	SB
					M	ADDED -5 PER EC 0020-113-95	03/20/95	JCS
					N	REV PER EC 0020-602-95	06/13/95	JS
					P	OBSOLETE -4 & -5 PER EC 0420-143-96	07 NOV 97	SB




- 1 RECEPTACLE ACCEPTS SIZE DF SOCKET CONTACTS. CONTACTS MUST BE PURCHASED SEPARATELY.
- 2. ALL PARTS SHIPPED UNASSEMBLED.
- 3 STYRENE POLYOLEFIN OR PVC, 94V-0 RATED, FLAME RETARDANT, BLACK.
- 4 NYLON OR POLYESTER, 94V-0 RATED, GLASS FILLED, FLAME RETARDANT, BLACK.
- 5 STEEL PER ASTM A109.
- 6 TIN PLATING PER MIL-T-10727.
- 7 ZINC PLATING PER ASTM B633, TYPE II, CLASS SCI, BLACK CHROMATE.
- 8 COMPONENTS INDIVIDUALLY BULK PACKED.
- 9 INDIVIDUAL KIT PACKAGING OF COMPONENTS.
- 10 SEE RESTRICTED CUSTOMER DRAWING 747951-4.
- 11 BLACK ELECTROLESS NICKEL PER QQ-N-290.

OBSOLETE	8	W/LOGO	11	CARBON STEEL	747951-5	
OBSOLETE					10	
OBSOLETE	9	W/LOGO	7	ZINC ALLOY	747951-3	
OBSOLETE	8	W/OUT LOGO	7	ZINC ALLOY	747951-2	
	8	W/LOGO	7	ZINC ALLOY	747951-1	
		PACKAGING	REMARKS	JACKSCREW FINISH	JACKSCREW MATERIAL	PART NUMBER

DO NOT SCALE PRINT. UNLESS SPECIFIED DIMENSIONS IN INCHES TOLERANCES ON: 2 PLC DEC ± - 3 PLC DEC ± .020 ANGLES ± -	DR 6/4/90 A.STAUB BG CHK 8-31-90 J.McCLINTON APPD 9-4-90 BOB TAYLOR APPD 9-4-90 J.ASSINI PRODUCT SPEC -	AMP INCORPORATED Harrisburg, Pa. 17105			
MATERIAL INSERT: 4 SHELLS & SHIELDS: 5 JACKSCREWS: SEE TABLE	FINISH SHELLS & SHIELDS: 6 JACKSCREWS: SEE TABLE	NAME BULK KIT, RCPT, AMPLIMIT™, SHIELDING ENCLOSURE, 9 POSN, SIZE 1, HDP-20			
	APPLICATION SPEC -	SIZE C	FSCM NO 00779	DRAWING NO 747951	
	WEIGHT -	SCALE 2:1		SHEET 1 OF 1	

Looking for pricing, stock, or lifecycle information?

Click below to explore more details on WIN SOURCE:

 [View 747951-1](#) on WIN SOURCE

 [TE Connectivity](#) Information

Optimize Your Supply Chain with WIN SOURCE Solutions

-  Global Sourcing Solution
-  Obsolete Management
-  Cost Control Management
-  Shortage Management
-  Alternative Solution
-  Excess Inventory Management